

Job Name: 25-3052 - Commerce Crossing  
 Job Location: Shelbyville, KY 40065  
 Contractor: Hayes Pipe Supply

Plant: Beaver Dam, KY

Tech: K. Cardwell

1/29/2026 8:50:56 AM

PC: E. Bradley



**Structure ID: 4A**

**P1 BX24300808VF**

**BOX BASE 8inW, 8inF, Variable Ht F/n**

P2) 24" x 30" - CASTING HEIGHT - 3.50"  
 P1) 24" x 30" - BOX BASE 8inW, 8inF, Variable Ht F/n - 33"  
 1) CASTING - HOE KY-460-11 F/G (DBI 11)  
 1) 24" x 30" - Conseal CS-102 1.00"  
 2) Hole - 18  
 1) Hole - 10

0 lb  
 3942 lb  
 421 lb  
 0 lb  
 0 lb  
 0 lb  
 \_\_\_\_\_  
 Structure Total: 4363 lb

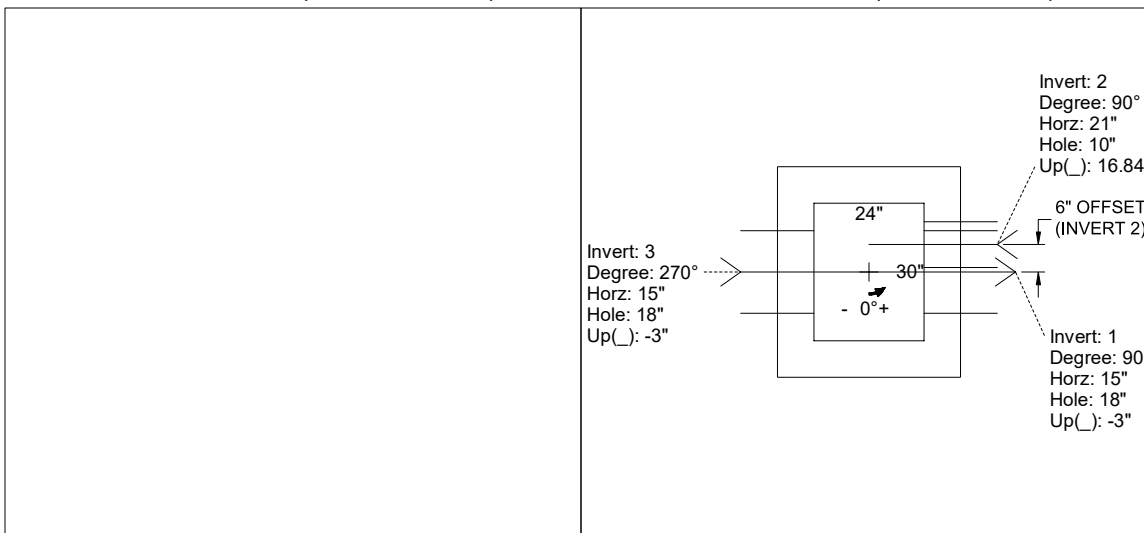
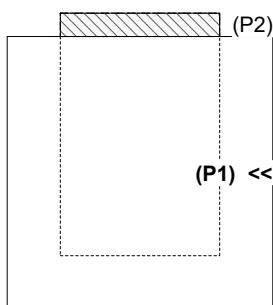
- Structure Notes:**
1. PER KYTC DBI TY 11 / ASTM C-913 SPECS
  2. CONCRETE: 4,000 PSI AT 28 DAYS
  3. REINFORCEMENT: #5 BAR @ 12" C.C. E.W. (GRADE 60) - 2" MIN. REBAR CLEARANCE (TYP)
  4. NO STORM INVERT
  5. NO STEPS
  6. HOE KY-460-11 FRAME & GRATE SUPPLIED BY ICAST
  7. INVERT 2 OFFSET 6" FROM CENTER

Rim: 732.9' Rim to Invert: 3.07' Slack: 0.34" Sump: 0" Step Position:

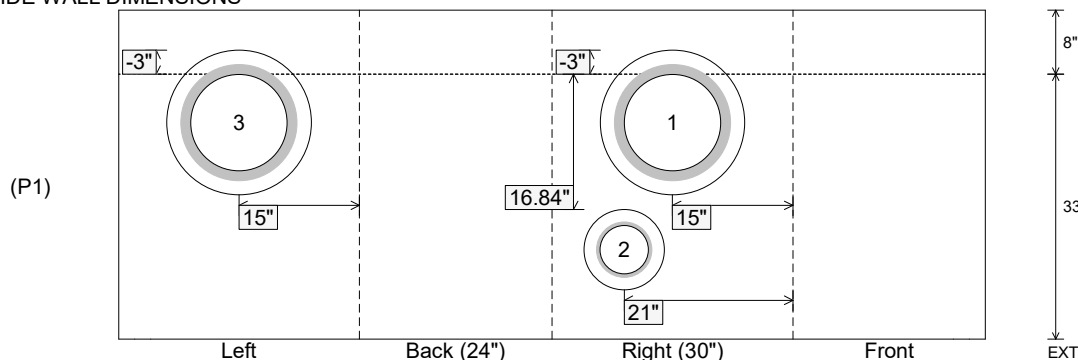
Position	Elev	Angle	Ext. (cw)	Pipe	Pipe OD	Connector	Hole	Horz Size	Up ( )	Offset
Invert 1	729.83'	90°	23"	12" HDPE	14.5"	Hole 18	18"	18"	-3"	0"
Invert 2	731.4'	90°	29"	6" HDPE	6.9"	Hole 10	10"	10"	16.84"	6"
Invert 3	729.83'	270°	23"	12" HDPE	14.5"	Hole 18	18"	18"	-3"	0"
Invert 4										
Invert 5										
Invert 6										
Invert 7										
Invert 8										

RIGHT-SIDE UP VIEW (int. dimensions)

UPSIDE-DOWN VIEW (int. dimensions)



INSIDE WALL DIMENSIONS



Coating (Int):  
 Coating (Ext):

Seam Up: Flat  
 Seam Dn: n/a

Wall Thickness: 8"  
 Floor Height: 8"

Height (Int): 33"  
 Height (Ext): 41"

Weight (Net): 3942 lb  
 Volume (Net): 1.01cu.yd