

Structure ID: 3

P1 BX2430-08BA48

BOX BASE 8inW, 8inF F/n

- P2) 24" x 30" - CASTING HEIGHT - 3.50"
- P1) 24" x 30" - BOX BASE 8inW, 8inF F/n - 48"
- 1) CASTING - HOE KY-460-11 F/G (DBI 11)
- 1) 24" x 30" - Conseal CS-102 1.00"
- 2) Hole - 20
- 1) Hole - 10

	0 lb
	5272 lb
	421 lb
	0 lb
	0 lb
	0 lb
Structure Total:	5693 lb

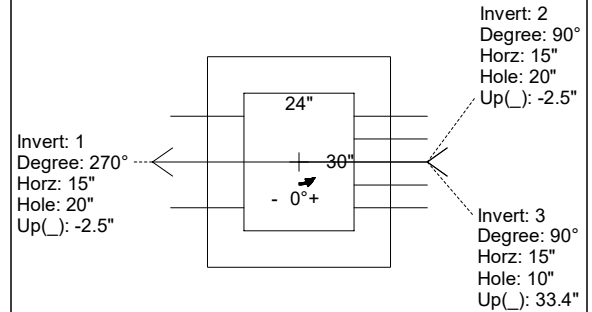
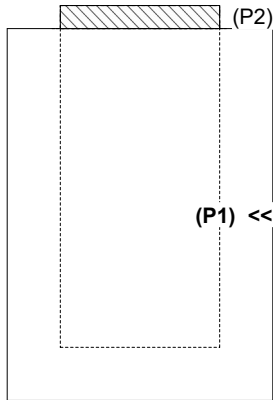
- Structure Notes:**
1. PER KYTC DBI TY 11 / ASTM C-913 SPECS
 2. CONCRETE: 4,000 PSI AT 28 DAYS
 3. REINFORCEMENT: #5 BAR @ 12" C.C. E.W. (GRADE 60) - 2" MIN. REBAR CLEARANCE (TYP)
 4. NO STORM INVERT
 5. NO STEPS
 6. HOE KY-460-11 FRAME & GRATE SUPPLIED BY ICAST

Rim: 728' Rim to Invert: 4.45' Slack: 1.9" Sump: 0" Step Position:

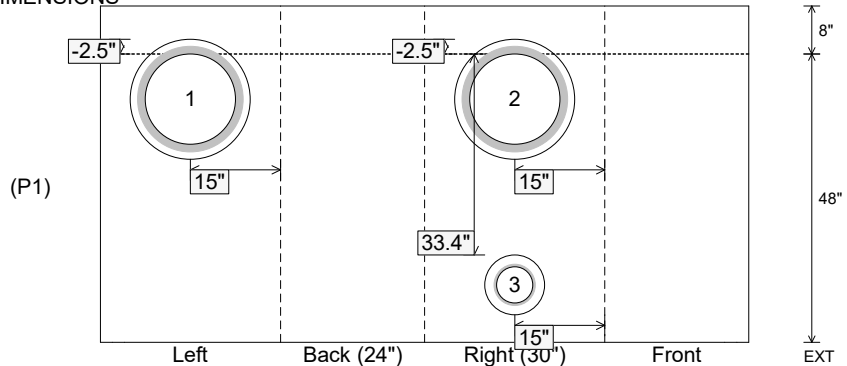
Position	Elev	Angle	Ext. (cw)	Pipe	Pipe OD	Connector	Hole	Horz Size	Up ()	Offset
Invert 1	723.55'	270°	23"	15" HDPE	17.6"	Hole 20	20"	20"	-2.5"	0"
Invert 2	723.55'	90°	23"	15" HDPE	17.6"	Hole 20	20"	20"	-2.5"	0"
Invert 3	726.5'	90°	23"	6" HDPE	6.9"	Hole 10	10"	10"	33.4"	0"
Invert 4										
Invert 5										
Invert 6										
Invert 7										
Invert 8										

RIGHT-SIDE UP VIEW (int. dimensions)

UPSIDE-DOWN VIEW (int. dimensions)



INSIDE WALL DIMENSIONS



Coating (Int): Coating (Ext):	Seam Up: Flat Seam Dn: n/a	Wall Thickness: 8" Floor Height: 8"	Height (Int): 48" Height (Ext): 56"	Weight (Net): 5272 lb Volume (Net): 1.35cu.yd
----------------------------------	-------------------------------	--	--	--