

Job Name: 25-3034C Hidden Ridge Subdivision Sanitary
Job Location: Radcliff, KY
Contractor: Kauffeld Brothers Construction

PC: C.Goff
 TECH: J.Horsley
 Plant: Beaver Dam



Structure ID: **SSMH 1**

Spec: Sanitary
 Type: SAN.MH Doghouse w/ConBlockCDA Red
 Size: 48"

Rim: 801.38'
 Invert: 792'
 Rim to Invert: 9.38'

Sump: 3"
 Floor (Top): 791.75'
 Floor Height: 0"

Floor (Bot): 791.75'
 Overall Height: 9.583'
 Slack: 0.56"

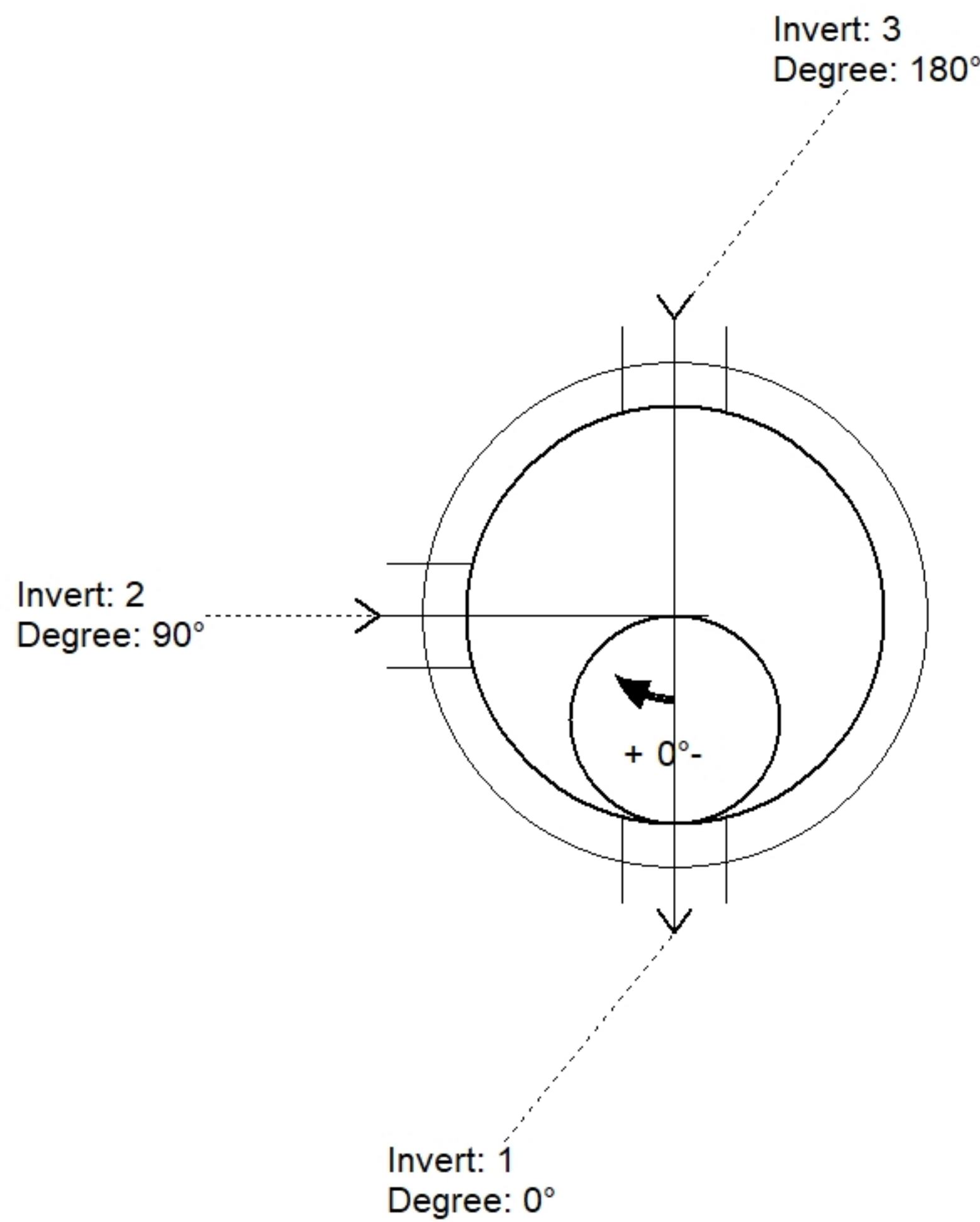
Structure Notes:

1. PER ASTM C478 SPECIFICATIONS.
2. CONCRETE = 4,000 PSI AT 28 DAYS.
3. ADMIXTURE = CONBLOCK CDA RED.
4. HOE MC-420 F/C "SANITARY" BY ICAST
5. NO STEPS

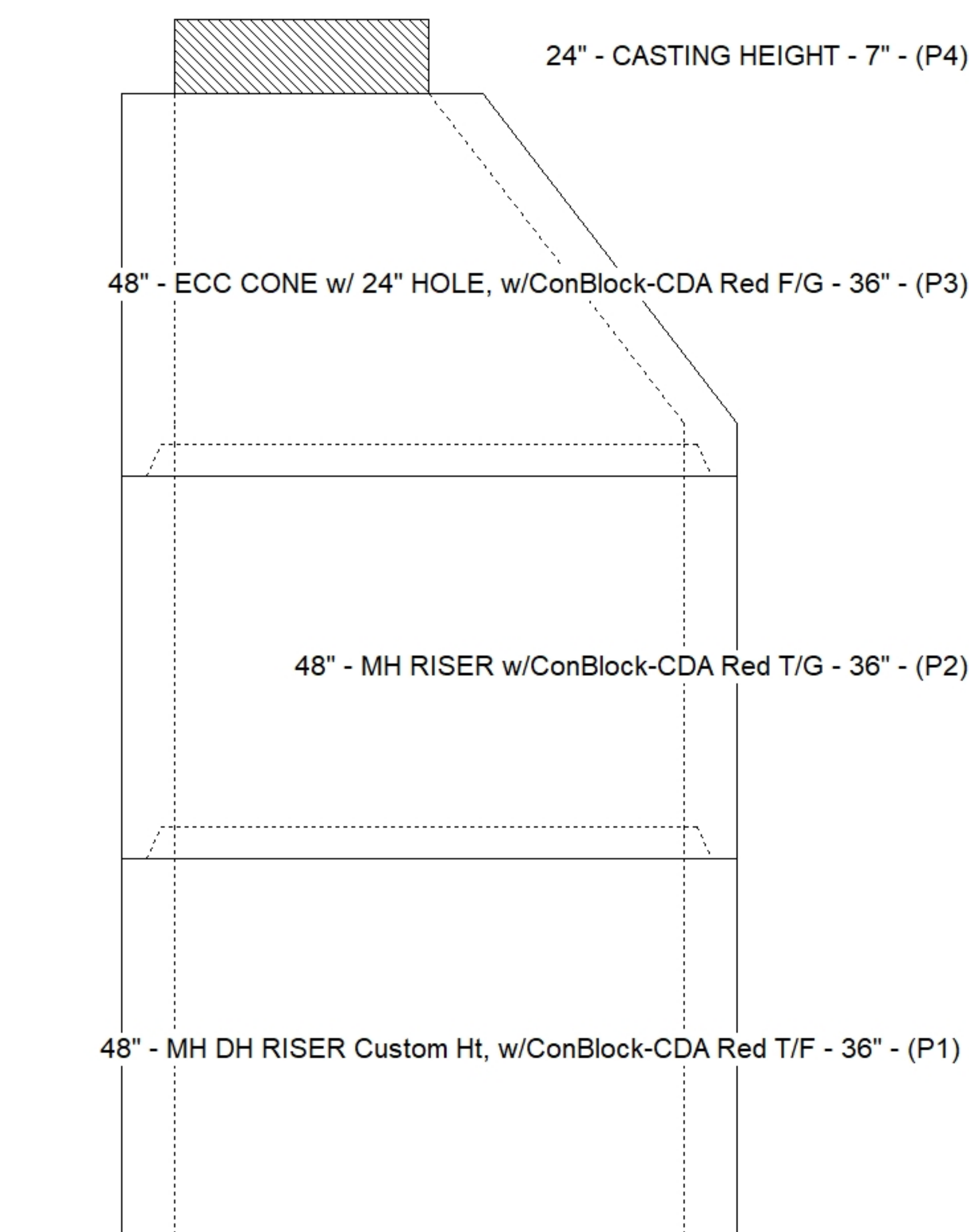
REINFORCING PER ASTM A615 (GRADE 60).
 - CONE (As .12)
 - RISER/WALLS (As .12)

STRUCTURE SUMMARY:

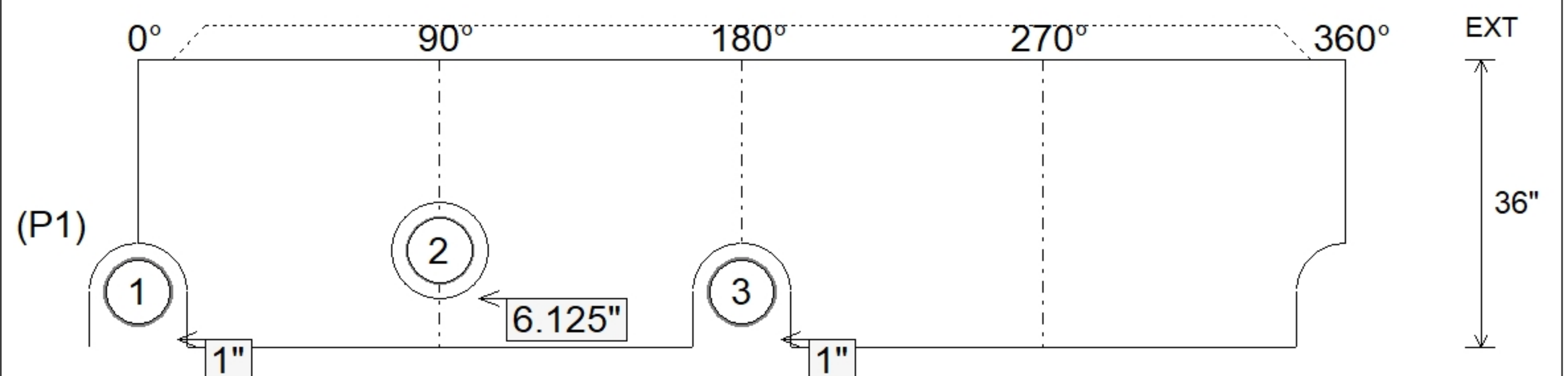
P4) 24" - CASTING HEIGHT - 7"	0 lb
P3) 48" - ECC CONE w/ 24" HOLE, w/ConBlock-CDA Red F/G - 36"	2251 lb
P2) 48" - MH RISER w/ConBlock-CDA Red T/G - 36"	2515 lb
P1) 48" - MH DH RISER Custom Ht, w/ConBlock-CDA Red T/F - 36"	2348 lb
1) JOINT WRAP - 0.065"x6"x50' CONSEAL CS212	0 lb
1) JOINT WRAP PRIMER - CONSEAL CS-75 (1 gal.)	0 lb
1) CASTING - HOE MC-420 F/C Sanitary	340 lb
2) 48" - Conseal CS-102 1.00" (Double)	0 lb
2) DOGHOUSE - 12"x12"	0 lb
1) PSX - 12-08 NYLO	8 lb
Structure Total:	7462 lb



Position	Elev	Angle	Pipe	Pipe OD	Hole	Connector	Up (")	Ref
Rim	801.38'							
Reducer								
Invert 1	792'	0°	8" PVC SDR35	8.5"	12" x 12"	DOGHOUSE 12"x12"	1"	P1
Invert 2	792.43'	90°	8" PVC SDR35	8.5"	12"	PSX 12-08 NYLO	6.125"	P1
Invert 3	792'	180°	8" PVC SDR35	8.5"	12" x 12"	DOGHOUSE 12"x12"	1"	P1
Invert 4								
Invert 5								
Invert 6								
Invert 7								
Invert 8								



Cast (Int. Dim.) - Interior Dimensions



Submittal Drawing
 2/9/2026 11:05:50 AM

SUBMITTAL
 APPROVED BY: