

**Structure ID: SSMH 1**

**P2 MH048RS36CDARED**

**MH RISER w/ConBlock-CDA Red T/G**

P4) 24" - CASTING HEIGHT - 7" P3) 48" - ECC CONE w/ 24" HOLE, w/ConBlock-CDA Red F/G - 36" P2) 48" - MH RISER w/ConBlock-CDA Red T/G - 36" P1) 48" - MH DH RISER Custom Ht, w/ConBlock-CDA Red T/F - 36" 1) JOINT WRAP - 0.065"x6"x50' CONSEAL CS212 1) JOINT WRAP PRIMER - CONSEAL CS-75 (1 gal.) 1) CASTING - HOE MC-420 F/C Sanitary 2) 48" - Conseal CS-102 1.00" (Double) 2) DOGHOUSE - 12"x12" 1) PSX - 12-08 NYLO	0 lb 2251 lb 2515 lb 2348 lb 0 lb 0 lb 340 lb 0 lb 0 lb 8 lb ----- Structure Total: 7462 lb
---	--

Structure Notes:

1. PER ASTM C478 SPECIFICATIONS.
2. CONCRETE = 4,000 PSI AT 28 DAYS.
3. ADMIXTURE = CONBLOCK CDA RED.
4. HOE MC-420 F/C "SANITARY" BY ICAST
5. NO STEPS

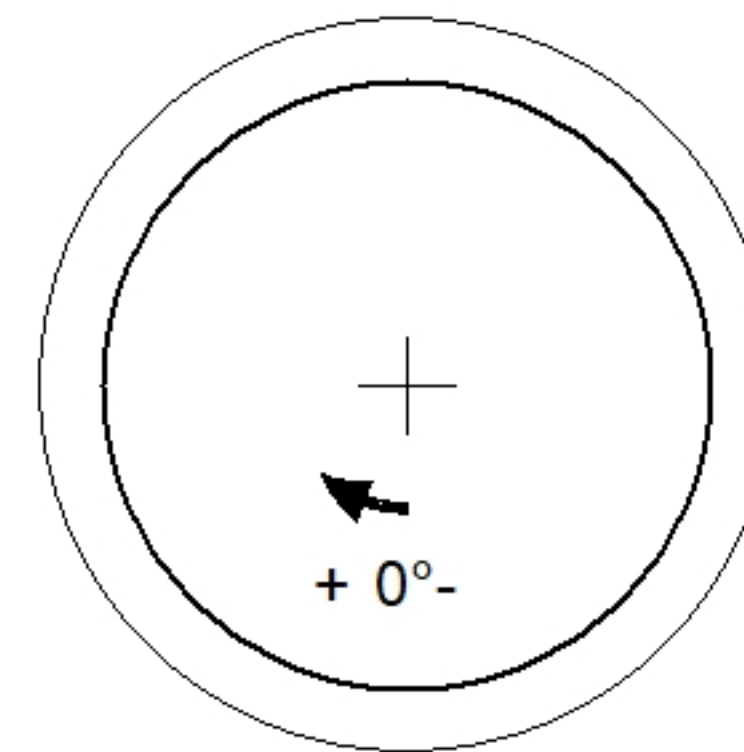
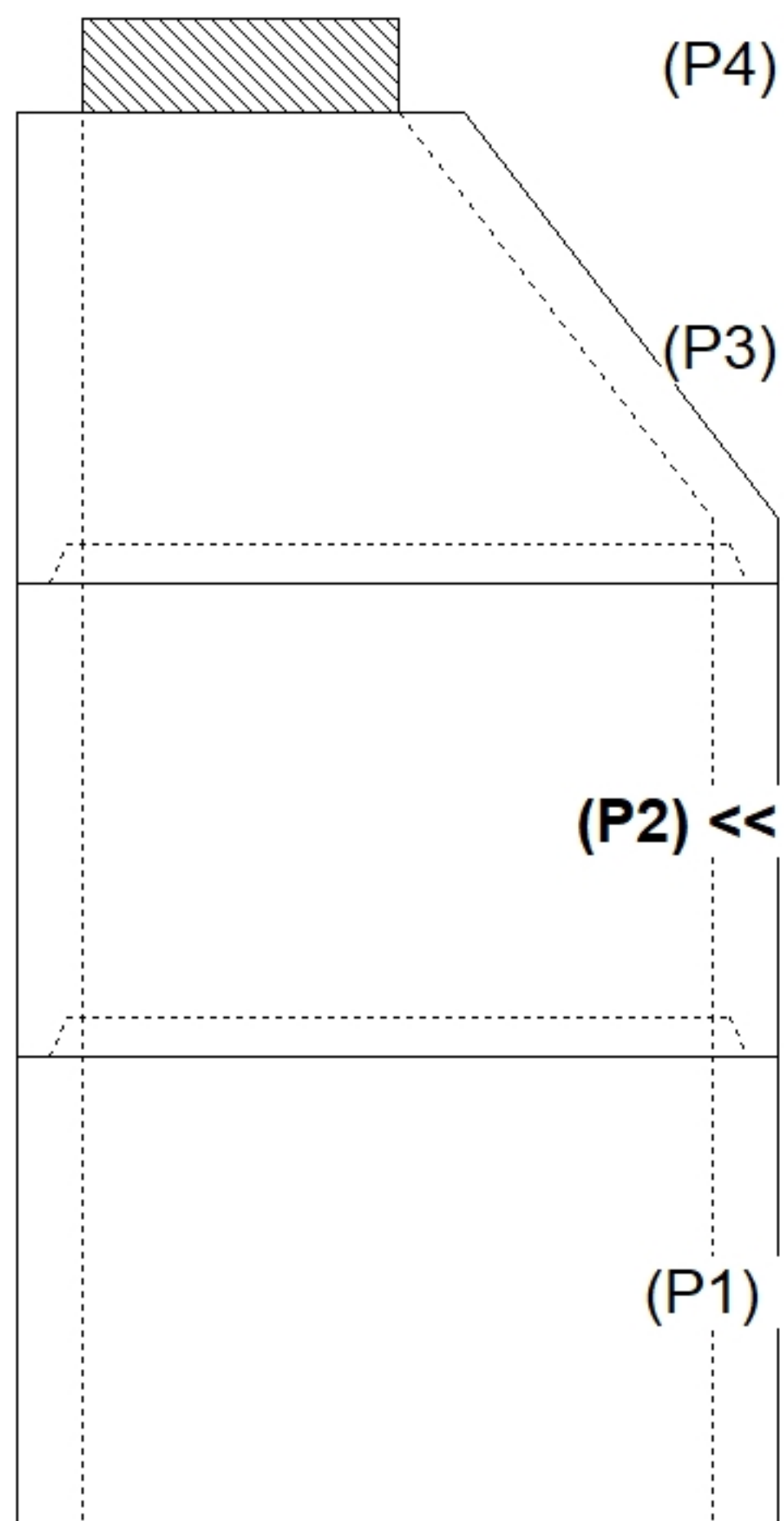
REINFORCING PER ASTM A615 (GRADE 60).

- CONE (As .12)
- RISER/WALLS (As .12)

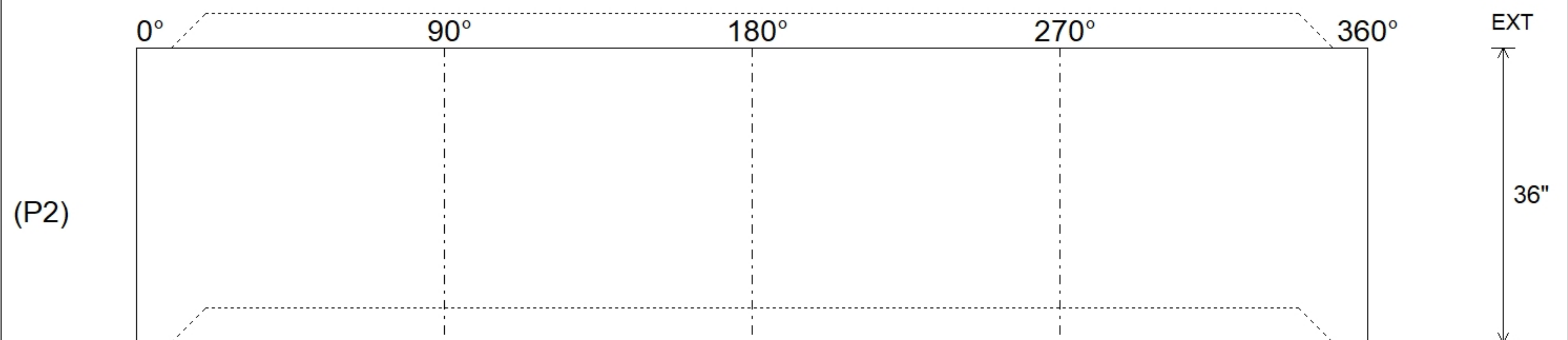
Rim: 801.38'    Rim to Invert: 9.38'    Slack: 0.56"    Sump: 3"    Step Position:

Position	Elev	Angle	Ext. (cw)	Pipe	Pipe OD	Connector	Hole	Horz Size	Up ( )	Offset
Invert 1										
Invert 2										
Invert 3										
Invert 4										
Invert 5										
Invert 6										
Invert 7										
Invert 8										

**RIGHT-SIDE UP VIEW (int. dimensions)**



**INSIDE WALL DIMENSIONS**



Coating (Int):	Seam Up: Tongue Seam Dn: Groove	Wall Thickness: 5" Floor Height: 0"	Height (Int): 36" Height (Ext): 36"
Coating (Ext):			Weight (Net): 2515 lb Volume (Net): 0.64cu.yd