

Job Name: 25-3034 Hidden Ridge Subdivision Sanitary
Job Location: Radcliff, KY
Contractor: Kauffeld Brothers Construction

PC: C.Goff
 TECH: C.Russ
 Plant: Beaver Dam



Structure ID: SSMH 2 Base Remake

Spec: Sanitary
 Type: SAN.MH w/ConBlock-CDA Red
 Size: 48"

Rim: 804.1'
 Invert: 797.08'
 Rim to Invert: 7.02'

Sump: 3"
 Floor (Top): 796.83'
 Floor Height: 6"

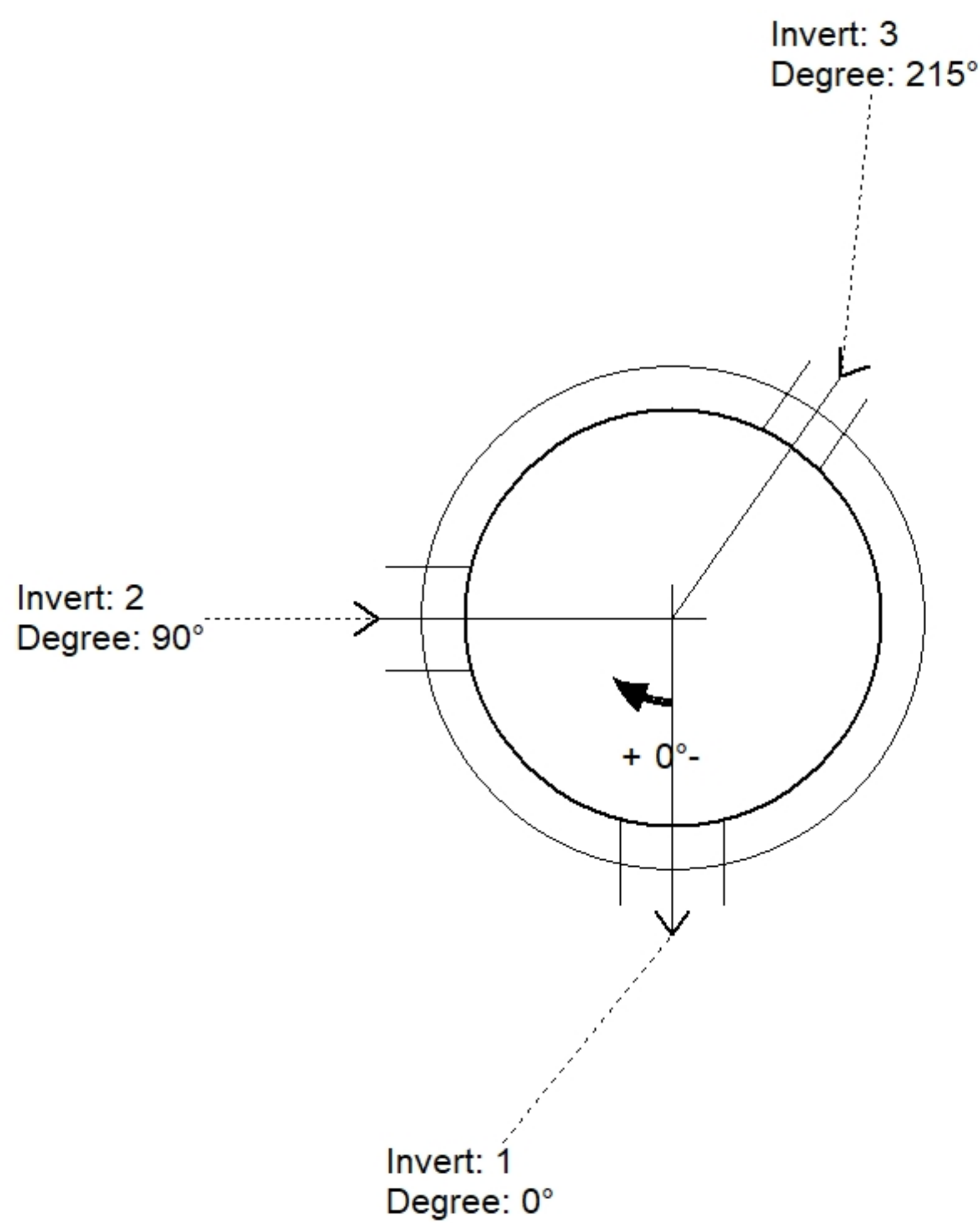
Floor (Bot): 796.33'
 Overall Height: 3.5'
 Slack: 51.24"

Structure Notes:

1. PER ASTM C478 SPECIFICATIONS.
2. CONCRETE = 4,000 PSI AT 28 DAYS.
3. ADMIXTURE = CONBLOCK CDA RED.
4. NO STEPS
5. REINFORCING PER ASTM A615 (GRADE 60).
 - WALLS (As .12)
 - FLOOR (As .31) #5 BARS AT 12" C.C.E.W.
6. THIS SUBMITTAL DRAWING IS FOR THE BASE ONLY

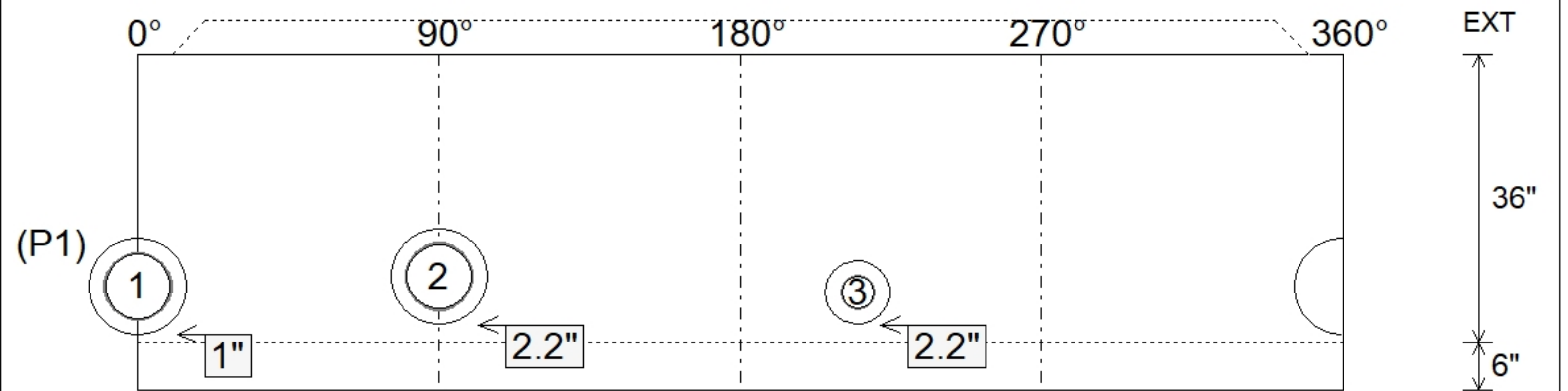
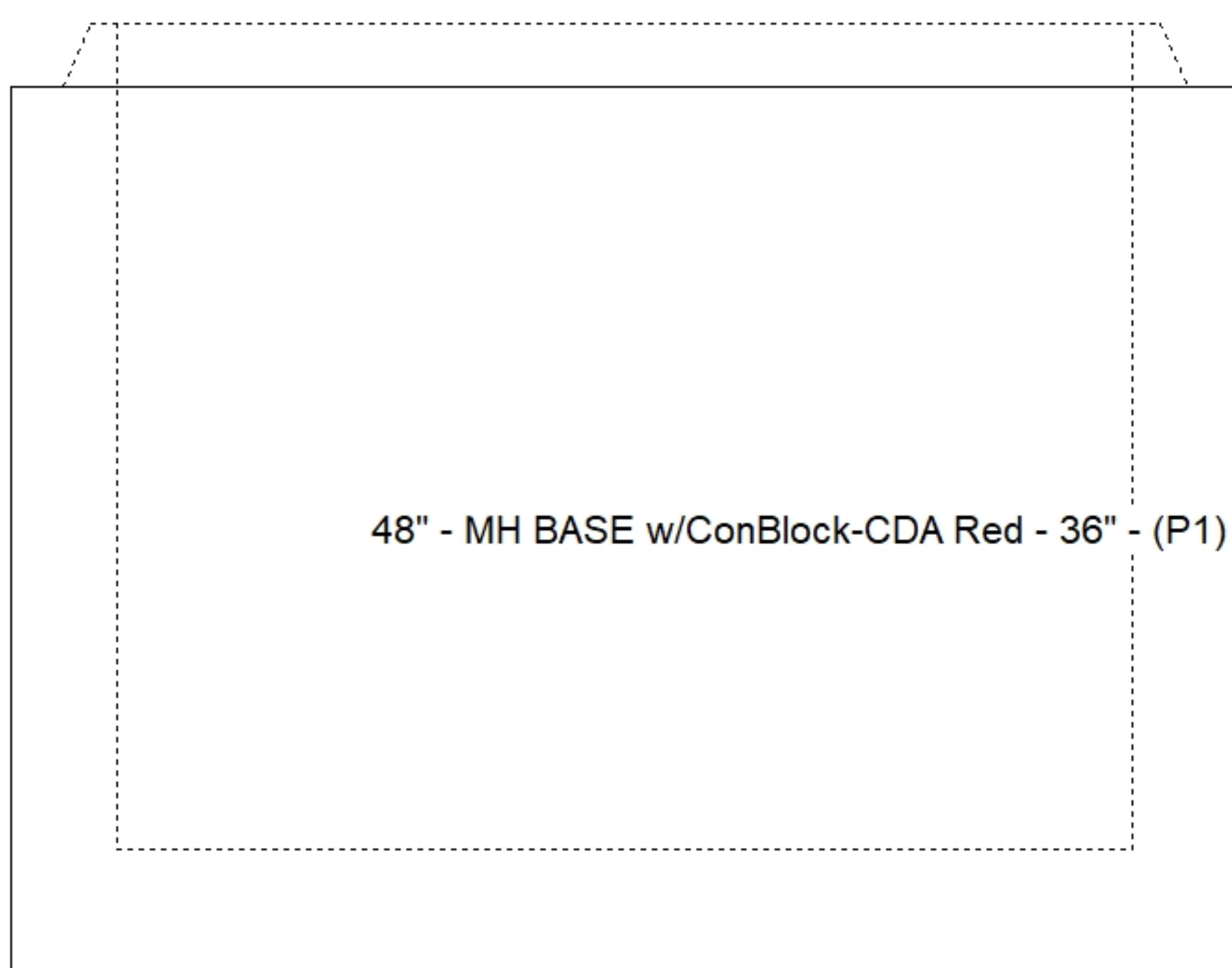
STRUCTURE SUMMARY:

P1) 48" - MH BASE w/ConBlock-CDA Red - 36"	3728 lb
1) JOINT WRAP - 0.065"x6"x50' CONSEAL CS212	0 lb
1) JOINT WRAP PRIMER - CONSEAL CS-75 (1 gal.)	0 lb
1) 48" - MH INVERT CHANNEL w/ConBlock-CDA Red - FULL HEIGHT	1440 lb
1) 48" - Con Seal CS-102 1.00" (Double)	0 lb
2) PSX - 12-08 NYLO	16 lb
1) PSX - 8QRS-S NYLO	6 lb
Structure Total:	5191 lb



Position	Elev	Angle	Pipe	Pipe OD	Hole	Connector	Up (")	Ref
Rim	804.1'							
Reducer								
Invert 1	797.08'	0°	8" PVC SDR35	8.5"	12"	PSX 12-08 NYLO	1"	P1
Invert 2	797.18'	90°	8" PVC SDR35	8.5"	12"	PSX 12-08 NYLO	2.2"	P1
Invert 3	797.18'	215°	4" PVC SDR35	4.25"	8"	PSX 8QRS-S NYLO	2.2"	P1
Invert 4								
Invert 5								
Invert 6								
Invert 7								
Invert 8								

Default - Interior Dimensions



Submittal Drawing
 11/5/2025 11:18:11 AM

SUBMITTAL
 APPROVED BY: