

**Job Name: 25-3021 Goodwill Industries Of Kentucky**  
**Job Location: Georgetown, KY**  
**Contractor: Lagco Inc.**

PC:  
 TECH: C.Russ  
 Plant: Beaver Dam



Structure ID: **MH 4**  
 Spec: Storm  
 Type: STM.MH (Recessed pipe)  
 Size: 48"

Rim: 859.71'  
 Invert: 854.28'  
 Rim to Invert: 5.43'

Sump: 0"  
 Floor (Top): 854.28'  
 Floor Height: 6"

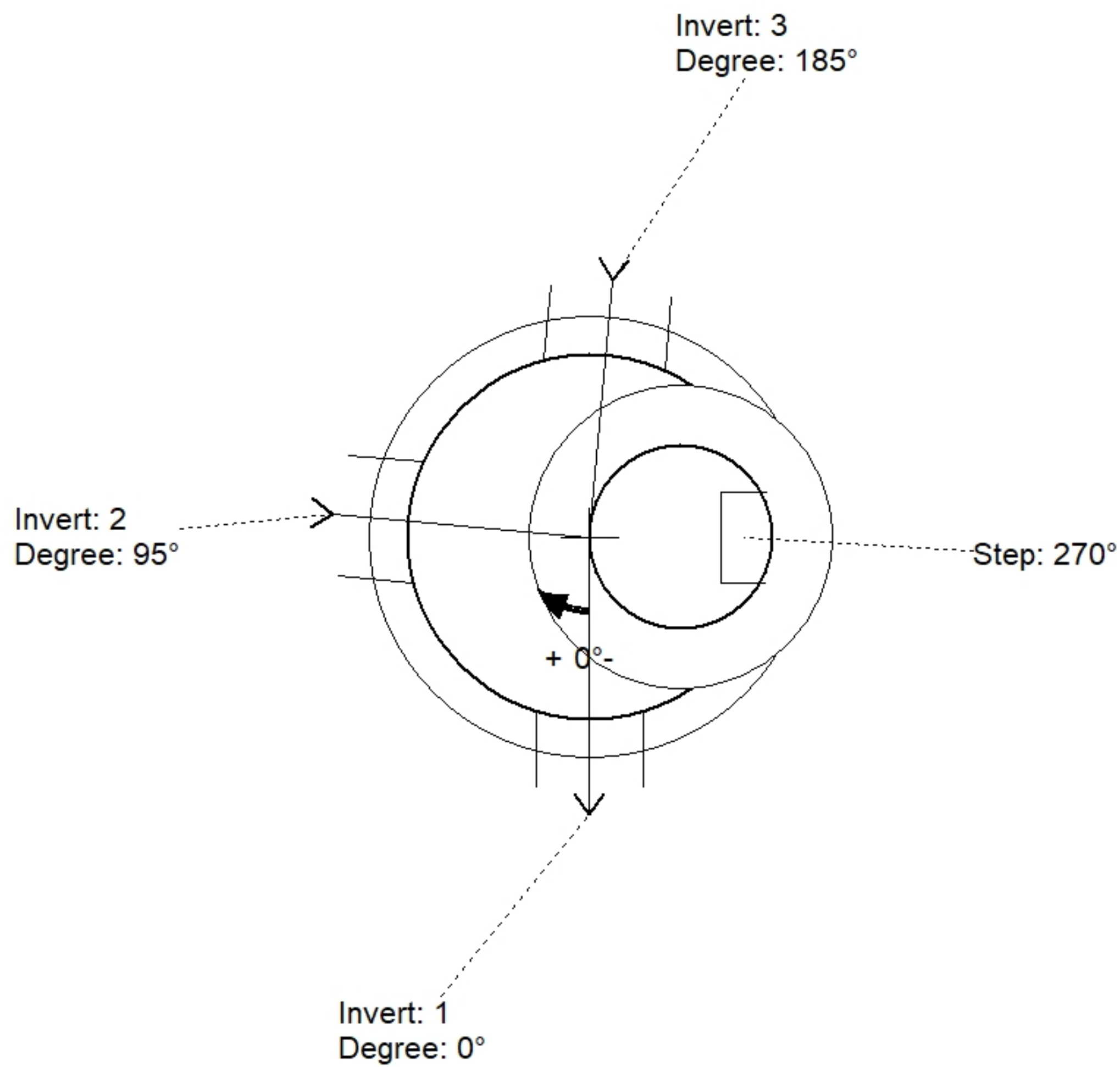
Floor (Bot): 853.78'  
 Overall Height: 5.917'  
 Slack: 0.16"

**Structure Notes:**

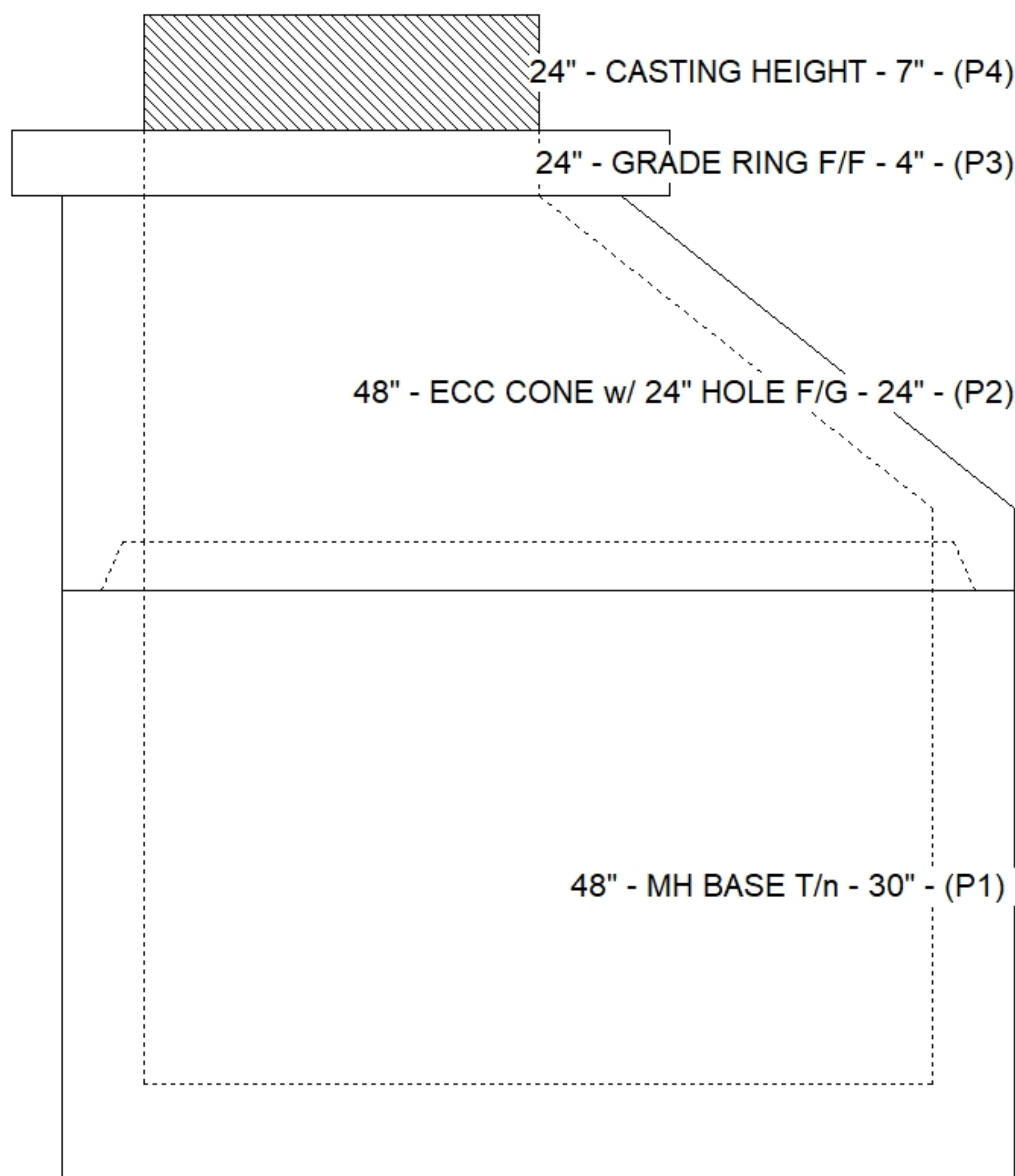
1. PER ASTM C478 SPECIFICATIONS.
2. CONCRETE = 4,000 PSI AT 28 DAYS.
3. HOE MC-375 STORM BY ICAST
4. REINFORCING PER ASTM A615 (GRADE 60).
  - CONE (As .12)
  - RISER/WALLS (As .12)
  - FLOOR (As .31) #5 BARS AT 12" C.C.E.W.

**STRUCTURE SUMMARY:**

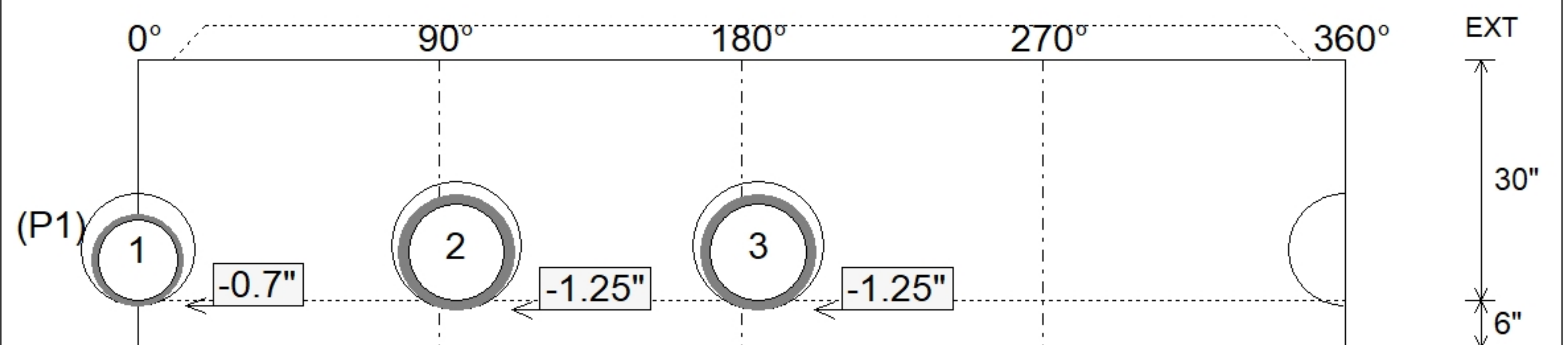
P4) 24" - CASTING HEIGHT - 7"	0 lb
P3) 24" - GRADE RING F/F - 4"	270 lb
P2) 48" - ECC CONE w/ 24" HOLE F/G - 24"	1550 lb
P1) 48" - MH BASE T/n - 30"	3189 lb
1) 48" - SGL 1"x14.5' Butyl (2x)	0 lb
1) Hole - 14	0 lb
2) Hole - 16	0 lb
5) MH Step ML-10-TDS-NCR - 10"	0 lb
<b>Structure Total:</b>	<b>5009 lb</b>



Position	Elev	Angle	Pipe	Pipe OD	Hole	Connector	Up (")	Ref
Rim	859.71'							
Reducer								
Invert 1	854.28'	0°	10" HDPE	11.4"	14"	Hole 14	-0.7"	P1
Invert 2	854.28'	95°	12" HDPE	14.5"	16"	Hole 16	-1.25"	P1
Invert 3	854.28'	185°	12" HDPE	14.5"	16"	Hole 16	-1.25"	P1
Invert 4								
Invert 5								
Invert 6								
Invert 7								
Invert 8								



**Default - Interior Dimensions**



Submittal Drawing  
 10/22/2025 9:57:11 AM

SUBMITTAL  
 APPROVED BY: