

Job Name: 25-3021 Goodwill Industries Of Kentucky  
 Job Location: Georgetown, KY  
 Contractor: Lagco Inc.

Plant: Beaver Dam

Tech: C.Russ

10/22/2025 9:57:58 AM

PC:



**Structure ID: MH 4**

**P2 MH048CN24**

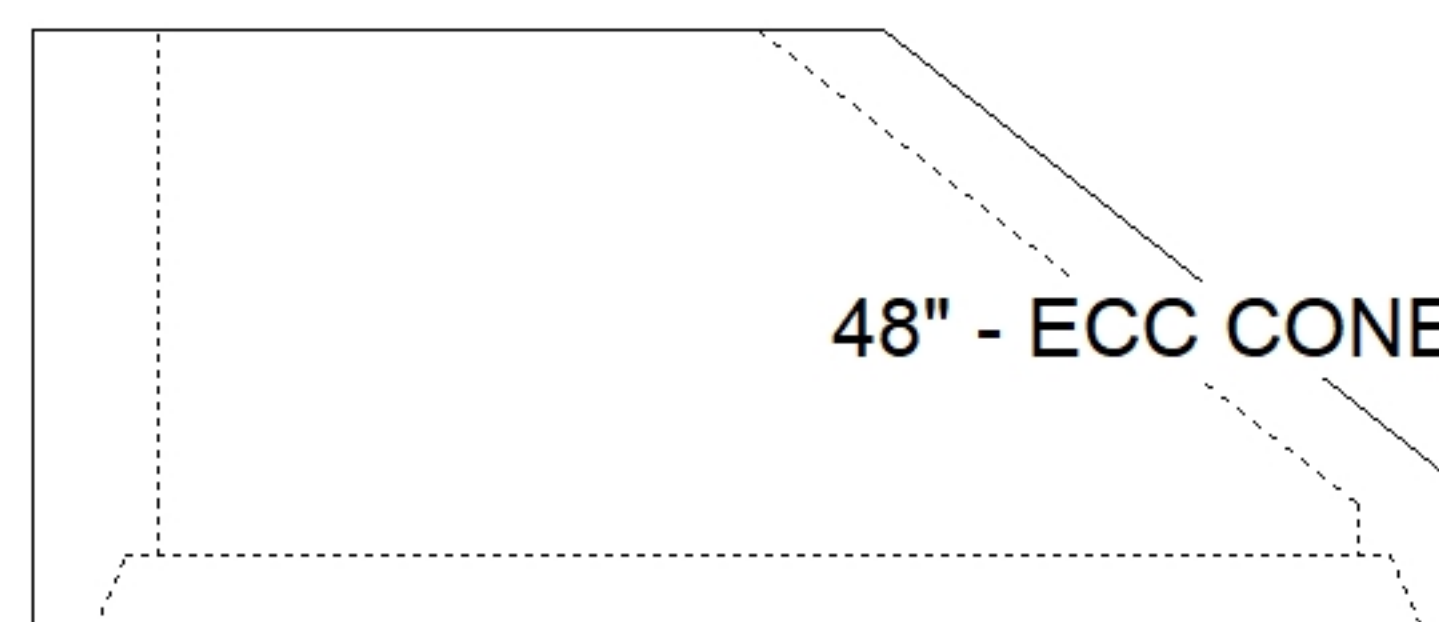
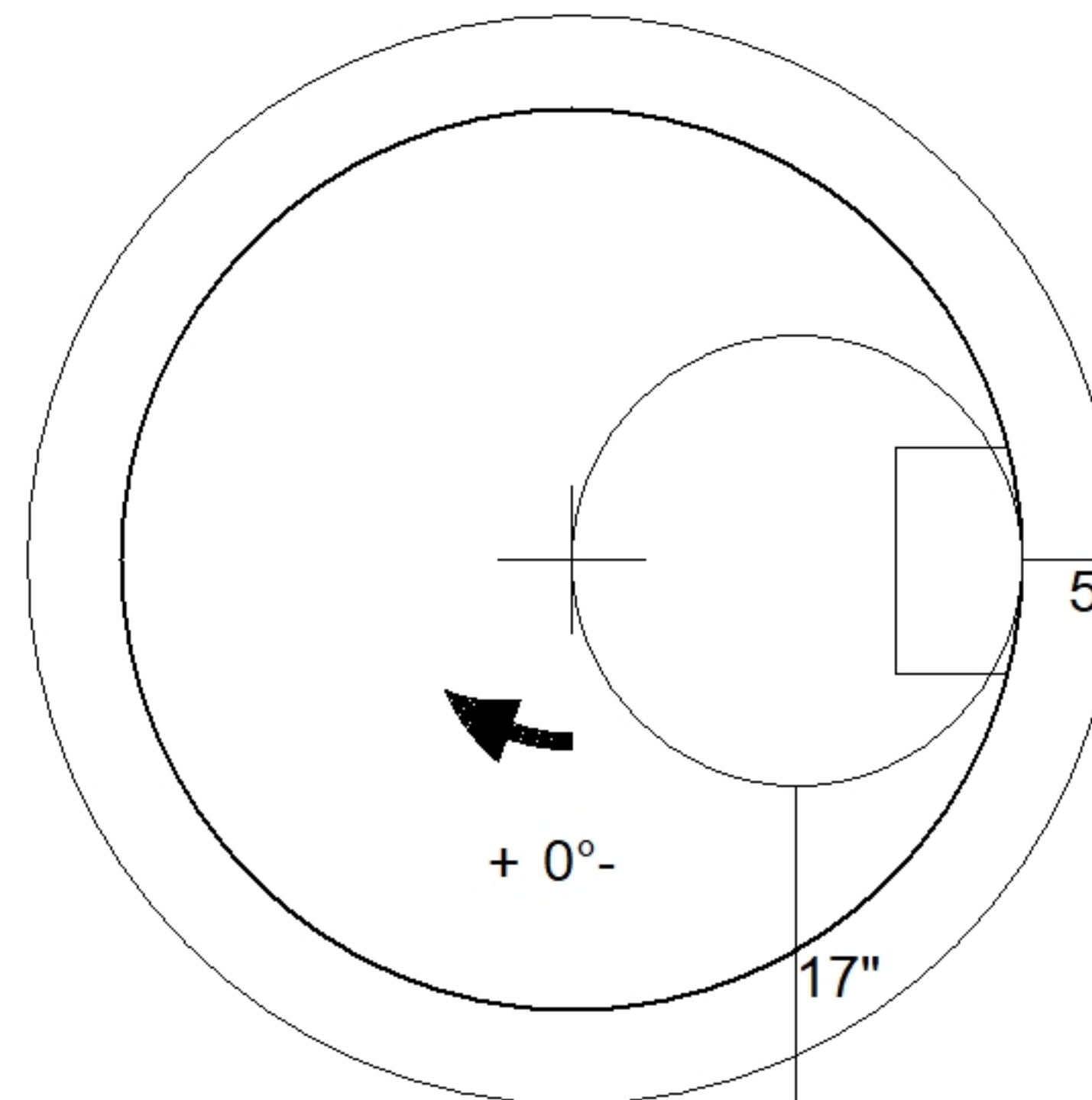
**ECC CONE w/ 24" HOLE F/G**

- P4) 24" - CASTING HEIGHT - 7"
- P3) 24" - GRADE RING F/F - 4"
- P2) 48" - ECC CONE w/ 24" HOLE F/G - 24"
- P1) 48" - MH BASE T/n - 30"
- 1) 48" - SGL 1"x14.5' Butyl (2x)
- 1) Hole - 14
- 2) Hole - 16
- 5) MH Step ML-10-TDS-NCR - 10"

0 lb  
 270 lb  
 1550 lb  
 3189 lb  
 0 lb  
 0 lb  
 0 lb  
 0 lb  
 0 lb  
 \_\_\_\_\_  
 5009 lb

Structure Total:

Structure Notes:  
 1. PER ASTM C478 SPECIFICATIONS.  
 2. CONCRETE = 4,000 PSI AT 28 DAYS.  
 3. HOE MC-375 STORM BY ICAST  
 4. REINFORCING PER ASTM A615 (GRADE 60).  
 - CONE (As .12)  
 - RISER/WALLS (As .12)  
 - FLOOR (As .31) #5 BARS AT 12" C.C.E.W.



48" - ECC CONE w/ 24" HOLE F/G - 24" - (P2)

Coating (Int):  
 Coating (Ext):

Seam Up: Flat  
 Seam Dn: Groove

Wall Thickness: 5"

Height (Ext): 24"

Weight (Net): 1550 lb  
 Volume (Net): 0.33cu.yd