

Structure ID: MH 4

P1 MH048BA30

MH BASE T/n

P4) 24" - CASTING HEIGHT - 7" P3) 24" - GRADE RING F/F - 4" P2) 48" - ECC CONE w/ 24" HOLE F/G - 24" P1) 48" - MH BASE T/n - 30" 1) 48" - SGL 1"x14.5' Butyl (2x) 1) Hole - 14 2) Hole - 16 5) MH Step ML-10-TDS-NCR - 10"	0 lb 270 lb 1550 lb 3189 lb 0 lb 0 lb 0 lb 0 lb 0 lb _____ 5009 lb	Structure Notes: 1. PER ASTM C478 SPECIFICATIONS. 2. CONCRETE = 4,000 PSI AT 28 DAYS. 3. HOE MC-375 STORM BY ICAST 4. REINFORCING PER ASTM A615 (GRADE 60). - CONE (As .12) - RISER/WALLS (As .12) - FLOOR (As .31) #5 BARS AT 12" C.C.E.W.
---	--	---

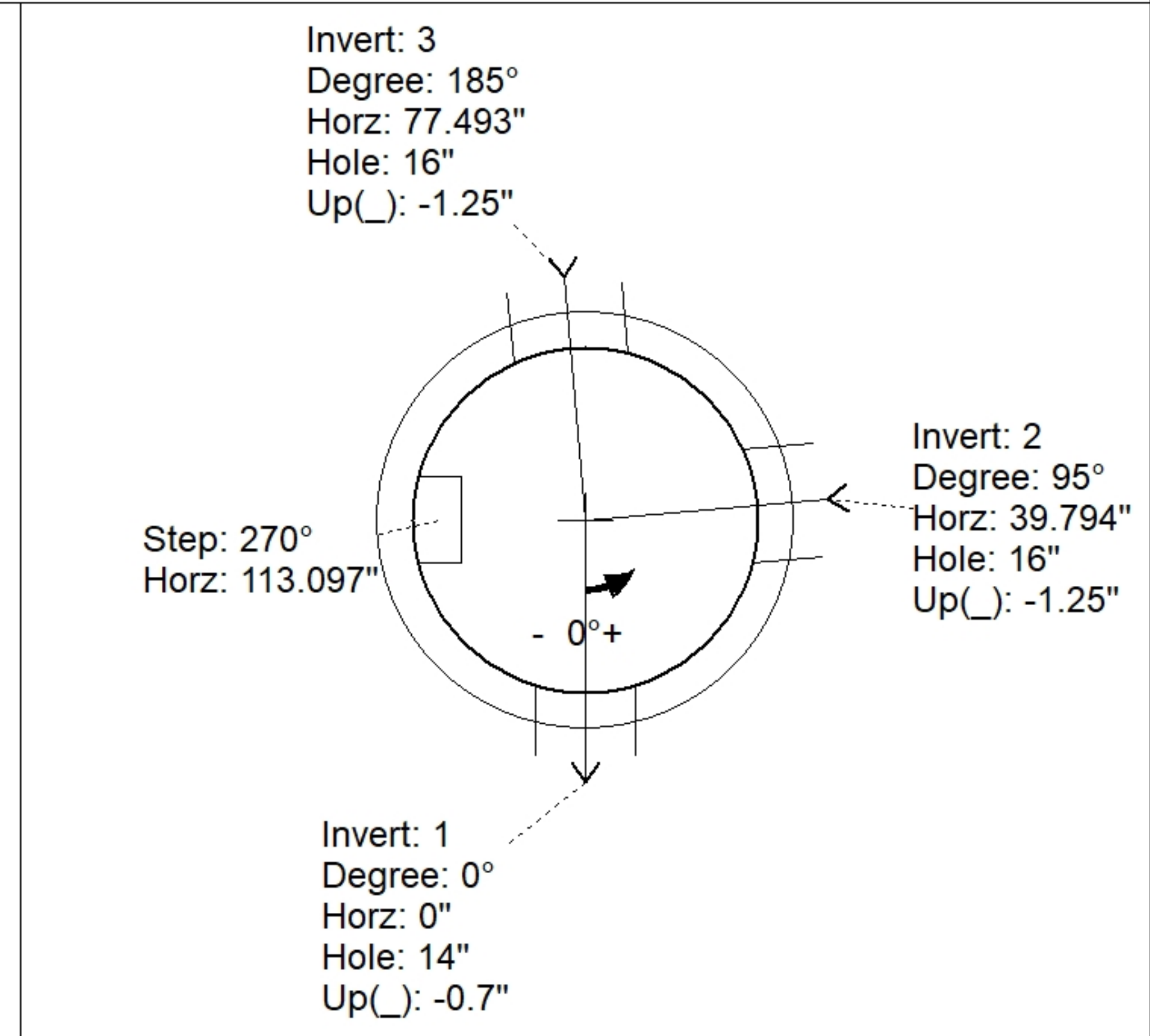
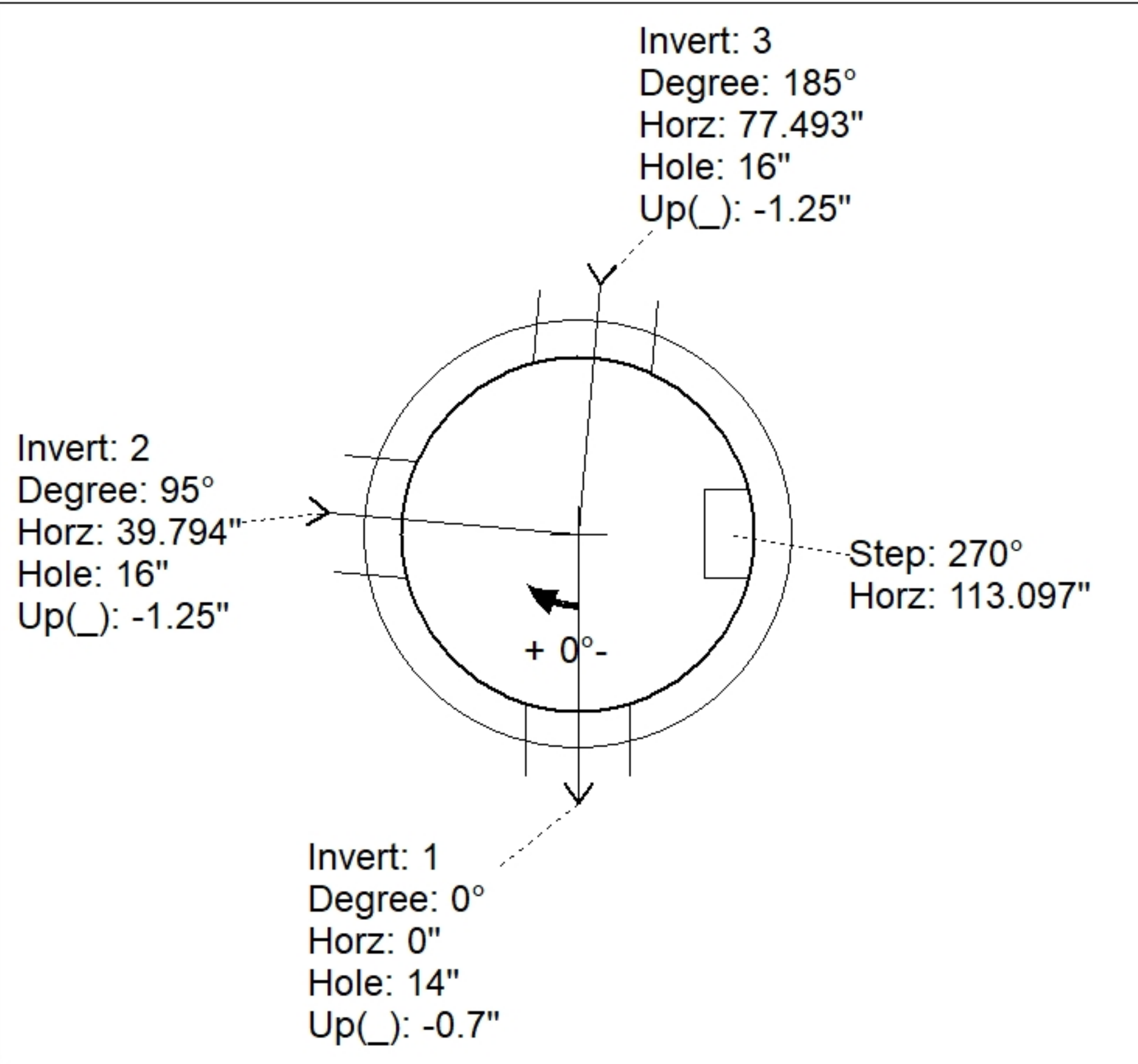
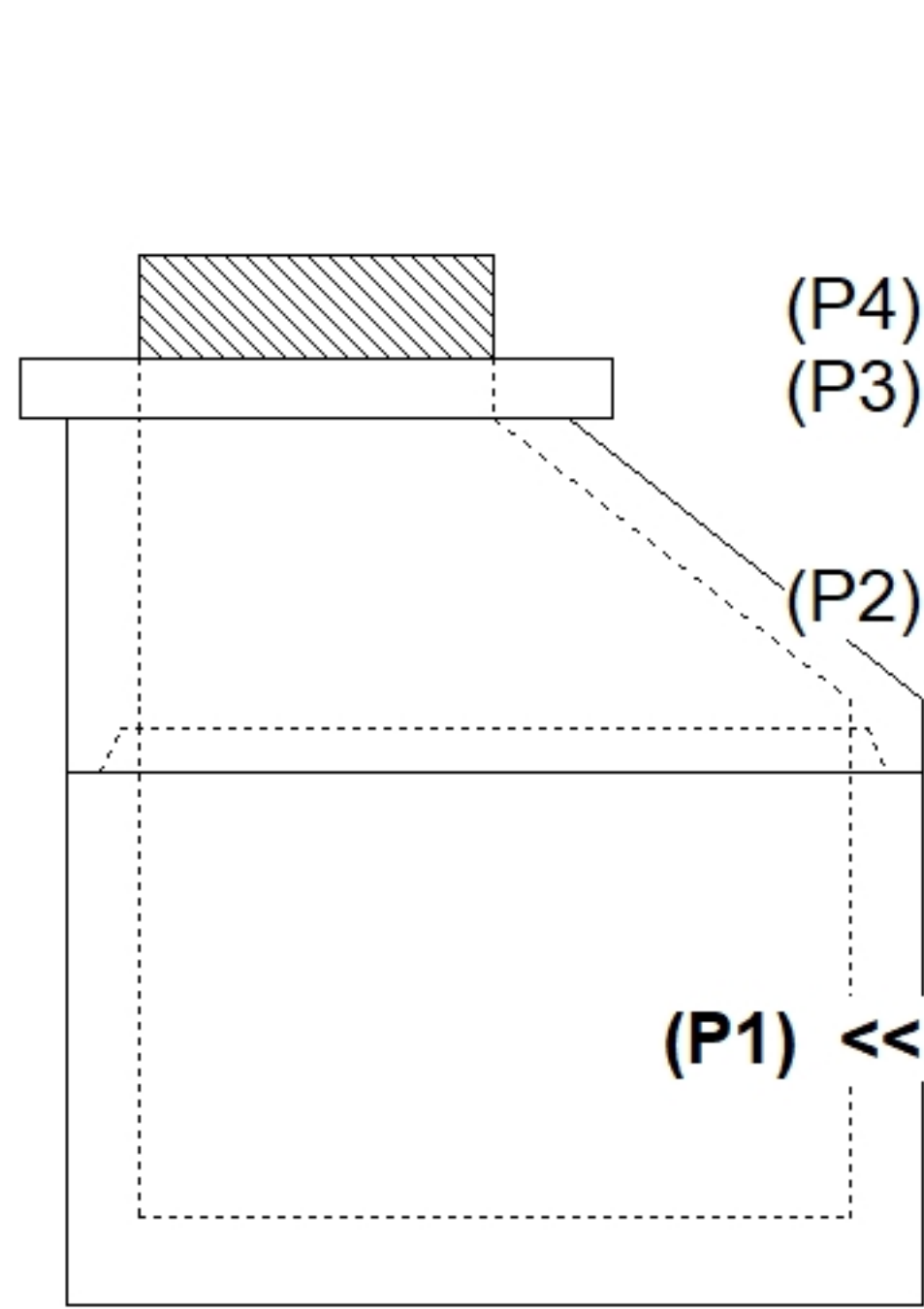
Structure Total: 5009 lb

Rim: 859.71' Rim to Invert: 5.43' Slack: 0.16" Sump: 0" Step Position: 270°

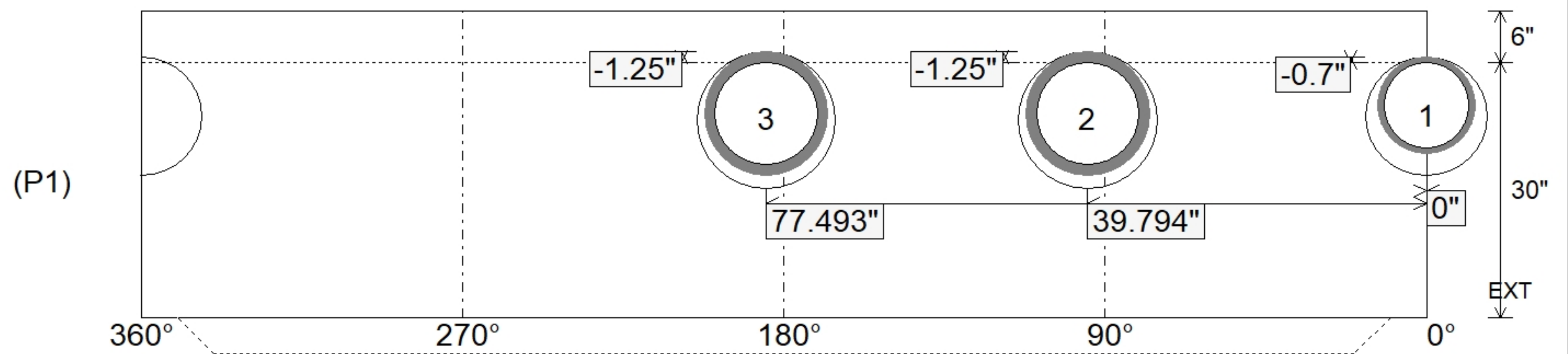
Position	Elev	Angle	Ext. (cw)	Pipe	Pipe OD	Connector	Hole	Horz Size	Up ()	Offset
Invert 1	854.28'	0°	0"	10" HDPE	11.4"	Hole 14	14"	14.207"	-0.7"	0"
Invert 2	854.28'	95°	48.084"	12" HDPE	14.5"	Hole 16	16"	16.312"	-1.25"	0"
Invert 3	854.28'	185°	93.637"	12" HDPE	14.5"	Hole 16	16"	16.312"	-1.25"	0"
Invert 4										
Invert 5										
Invert 6										
Invert 7										
Invert 8										

RIGHT-SIDE UP VIEW (int. dimensions)

UPSIDE-DOWN VIEW (int. dimensions)



INSIDE WALL DIMENSIONS



Coating (Int): Coating (Ext):	Seam Up: Tongue Seam Dn: n/a	Wall Thickness: 5" Floor Height: 6"	Height (Int): 30" Height (Ext): 36"	Weight (Net): 3189 lb Volume (Net): 0.82cu.yd
----------------------------------	---------------------------------	--	--	--