

Job Name: 25-3021 Goodwill Industries Of Kentucky
Job Location: Georgetown, KY
Contractor: Lagco Inc.

PC:
 TECH: C.Russ
 Plant: Beaver Dam



Structure ID: **MH 2**
 Spec: Storm
 Type: STM.MH
 Size: 48"

Rim: 859'
 Invert: 854.37'
 Rim to Invert: 4.63'

Sump: 1.9"
 Floor (Top): 854.212'
 Floor Height: 6"

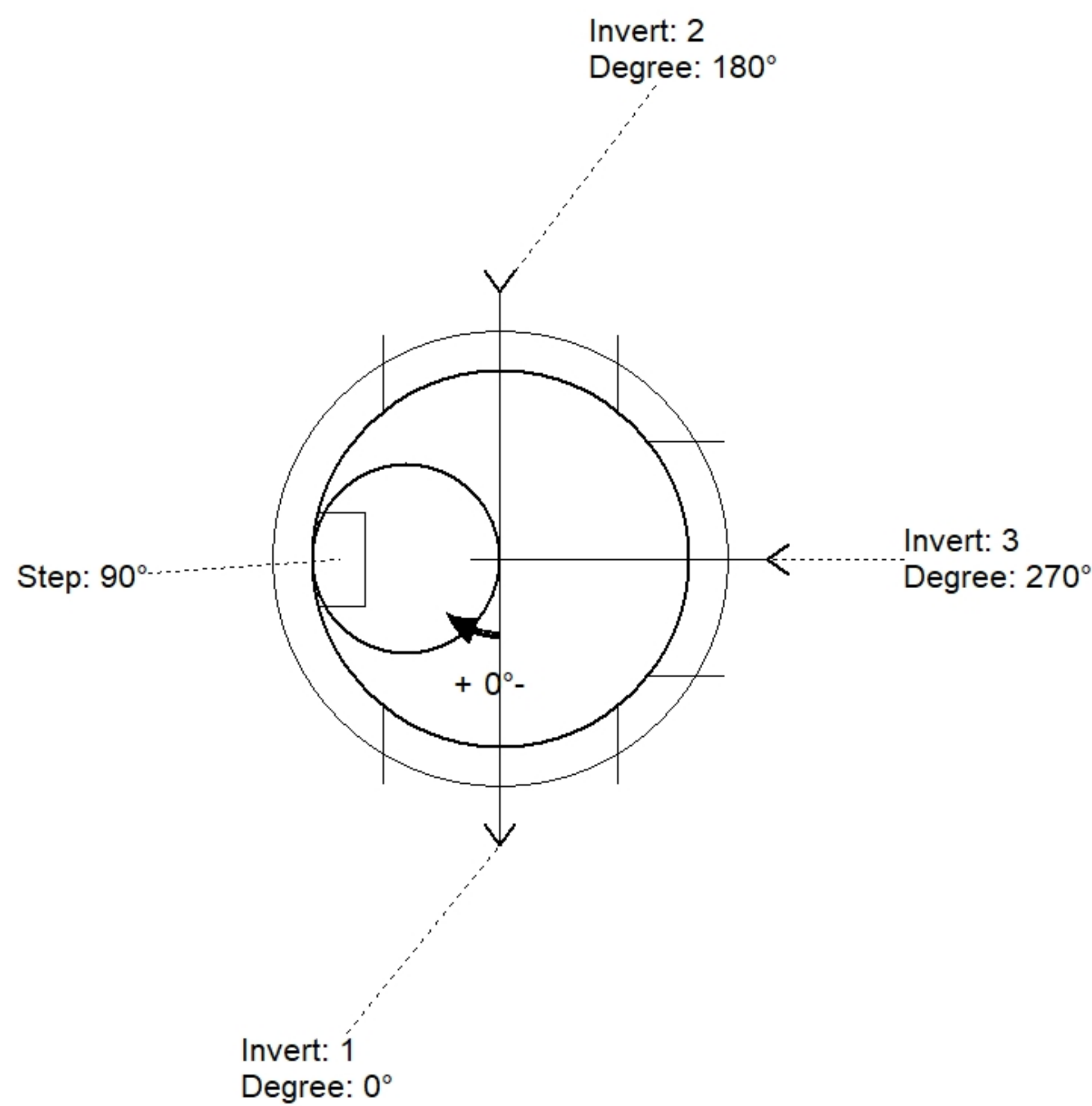
Floor (Bot): 853.712'
 Overall Height: 5.25'
 Slack: 0.46"

Structure Notes:

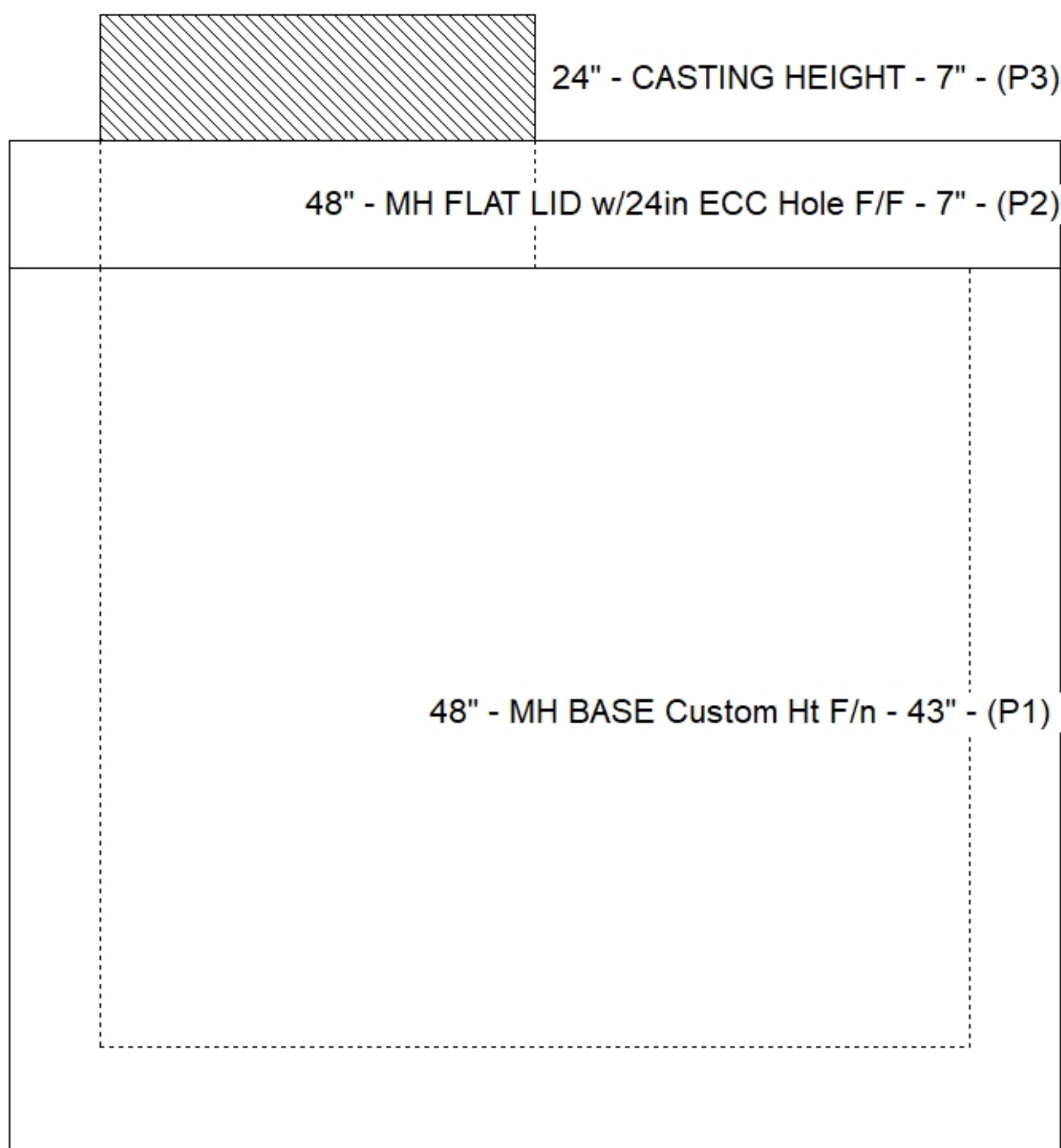
1. PER ASTM C478 SPECIFICATIONS.
2. CONCRETE = 4,000 PSI AT 28 DAYS.
3. HOE MC-375 STORM BY ICAST
4. REINFORCING PER ASTM A615 (GRADE 60).
 - TOP SLAB (As .62) #5 BARS AT 6" C.C.E.W..
 - RISER/WALLS (As .12)
 - FLOOR (As .31) #5 BARS AT 12" C.C.E.W.

STRUCTURE SUMMARY:

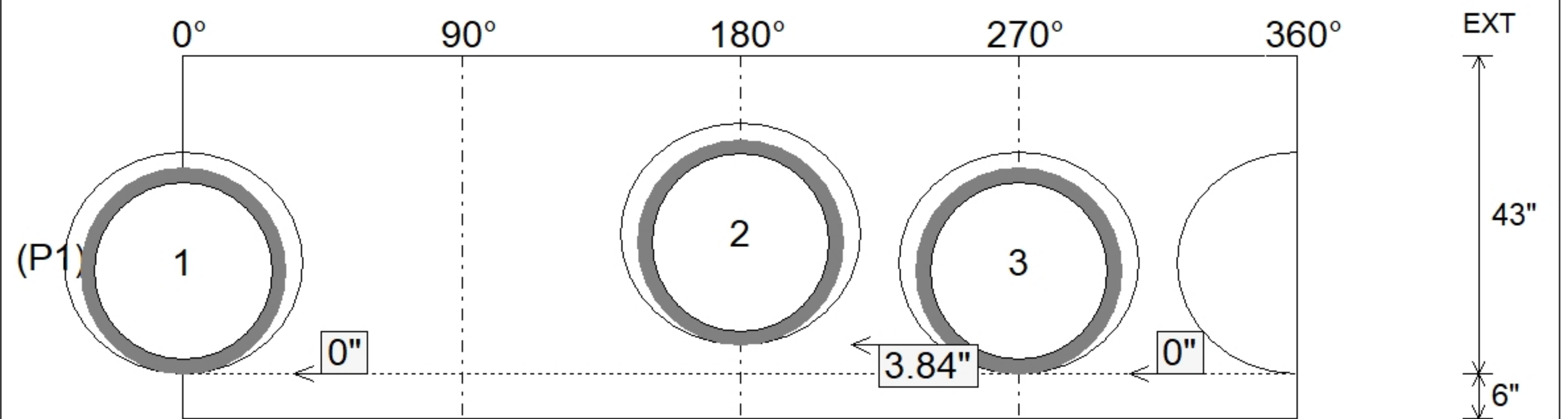
P3) 24" - CASTING HEIGHT - 7"	0 lb
P2) 48" - MH FLAT LID w/24in ECC Hole F/F - 7"	1286 lb
P1) 48" - MH BASE Custom Ht F/n - 43"	3386 lb
1) 48" - SGL 1"x14.5' Butyl (2x)	0 lb
3) Hole - 30	0 lb
3) MH Step ML-10-TDS-NCR - 10"	0 lb
Structure Total:	4672 lb



Position	Elev	Angle	Pipe	Pipe OD	Hole	Connector	Up ()	Ref
Rim	859'							
Reducer								
Invert 1	854.37'	0°	24" HDPE	27.8"	30"	Hole 30	0"	P1
Invert 2	854.69'	180°	24" HDPE	27.8"	30"	Hole 30	3.84"	P1
Invert 3	854.37'	270°	24" HDPE	27.8"	30"	Hole 30	0"	P1
Invert 4								
Invert 5								
Invert 6								
Invert 7								
Invert 8								



Default - Interior Dimensions



Submittal Drawing
 10/22/2025 9:57:10 AM

SUBMITTAL
 APPROVED BY: