

Job Name: 25-3021 Goodwill Industries Of Kentucky  
 Job Location: Georgetown, KY  
 Contractor: Lagco Inc.

Plant: Beaver Dam

Tech: C.Russ

10/22/2025 9:57:57 AM

PC:



**Structure ID: MH 2**

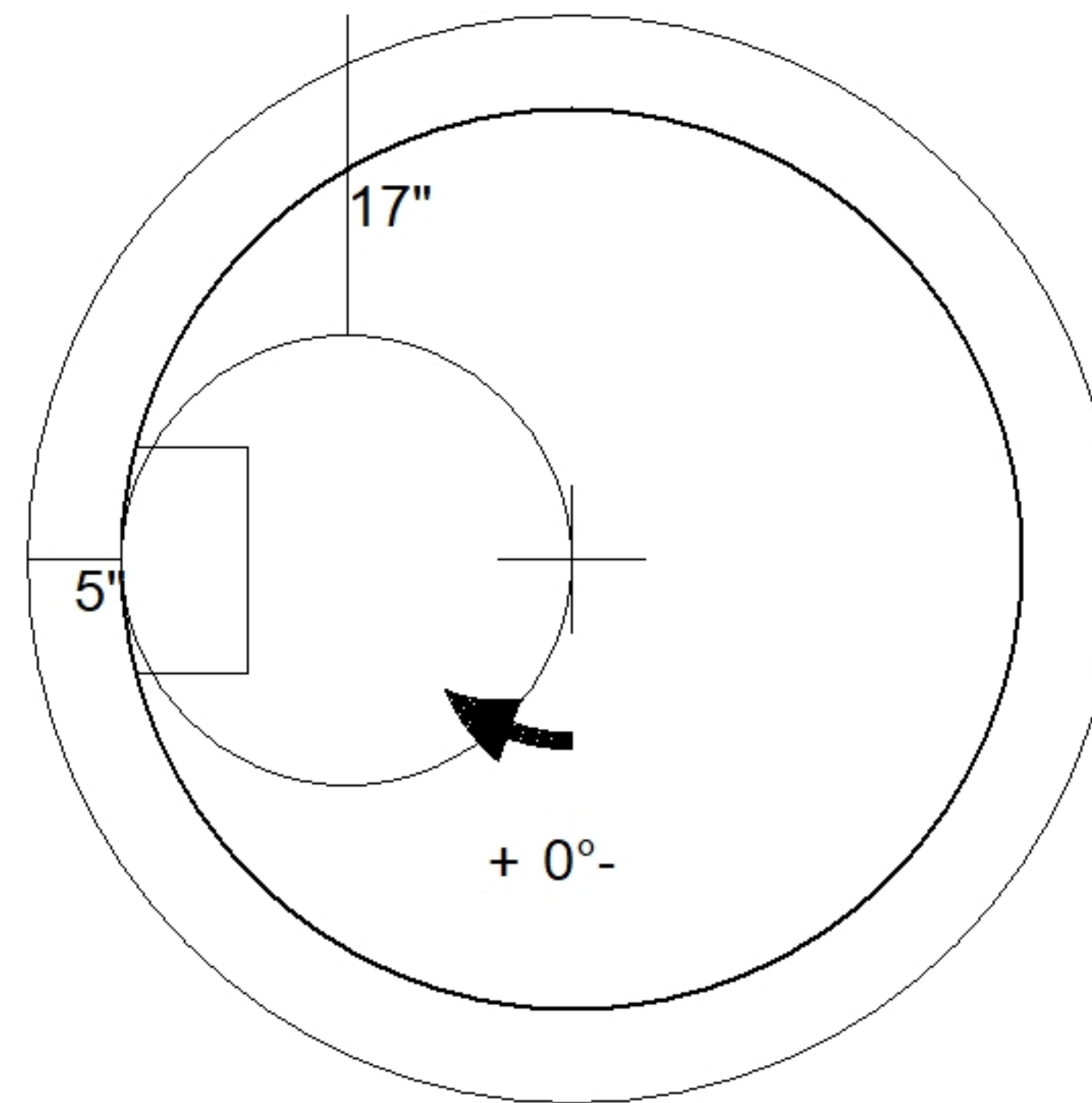
**P2 MH048LD07ECC**

**MH FLAT LID w/24in ECC Hole F/F**

- P3) 24" - CASTING HEIGHT - 7"
- P2) 48" - MH FLAT LID w/24in ECC Hole F/F - 7"
- P1) 48" - MH BASE Custom Ht F/n - 43"
- 1) 48" - SGL 1"x14.5' Butyl (2x)
- 3) Hole - 30
- 3) MH Step ML-10-TDS-NCR - 10"

0 lb  
 1286 lb  
 3386 lb  
 0 lb  
 0 lb  
 0 lb  
 -----  
 Structure Total: 4672 lb

- Structure Notes:
1. PER ASTM C478 SPECIFICATIONS.
  2. CONCRETE = 4,000 PSI AT 28 DAYS.
  3. HOE MC-375 STORM BY ICAST
  4. REINFORCING PER ASTM A615 (GRADE 60).  
 - TOP SLAB (As .62) #5 BARS AT 6" C.C.E.W..  
 - RISER/WALLS (As .12)  
 - FLOOR (As .31) #5 BARS AT 12" C.C.E.W.



48" - MH FLAT LID w/24in ECC Hole F/F - 7" - (P2)

Coating (Int): Coating (Ext):	Seam Up: Flat Seam Dn: Flat	Wall Thickness: 5"	Height (Ext): 7"	Weight (Net): 1286 lb Volume (Net): 0.33cu.yd
----------------------------------	--------------------------------	--------------------	------------------	--