

Structure ID: MH 2

P1 MH048BAVF

MH BASE Custom Ht F/n

P3) 24" - CASTING HEIGHT - 7" P2) 48" - MH FLAT LID w/24in ECC Hole F/F - 7" P1) 48" - MH BASE Custom Ht F/n - 43" 1) 48" - SGL 1"x14.5' Butyl (2x) 3) Hole - 30 3) MH Step ML-10-TDS-NCR - 10"	0 lb 1286 lb 3386 lb 0 lb 0 lb 0 lb ----- Structure Total: 4672 lb
--	---

Structure Notes:

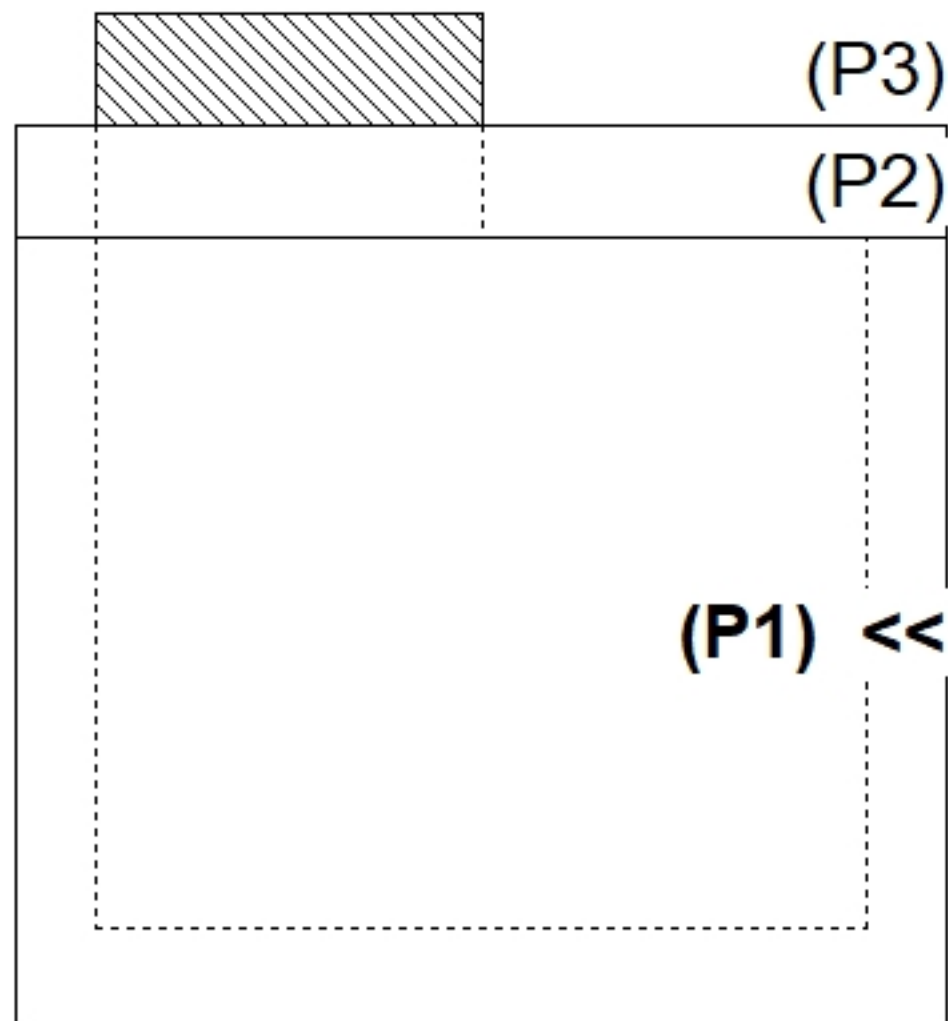
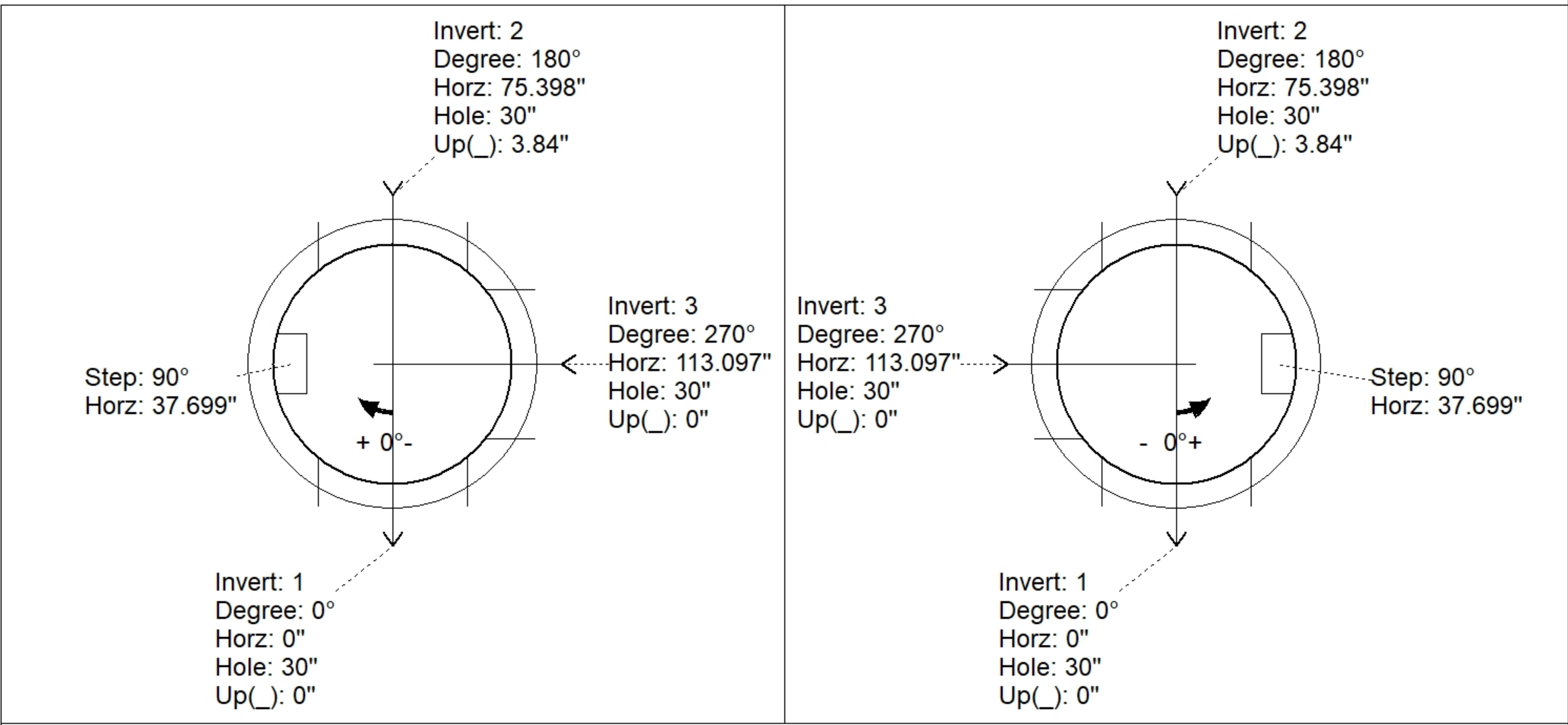
1. PER ASTM C478 SPECIFICATIONS.
2. CONCRETE = 4,000 PSI AT 28 DAYS.
3. HOE MC-375 STORM BY ICAST
4. REINFORCING PER ASTM A615 (GRADE 60).
 - TOP SLAB (As .62) #5 BARS AT 6" C.C.E.W..
 - RISER/WALLS (As .12)
 - FLOOR (As .31) #5 BARS AT 12" C.C.E.W.

Rim: 859' Rim to Invert: 4.63' Slack: 0.46" Sump: 1.9" Step Position: 90°

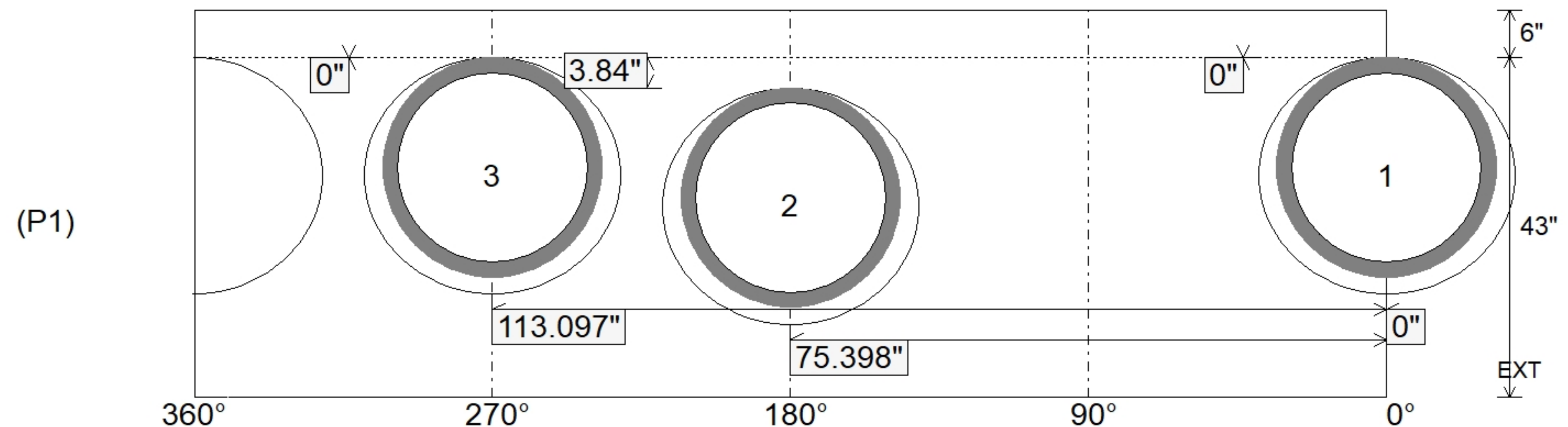
Position	Elev	Angle	Ext. (cw)	Pipe	Pipe OD	Connector	Hole	Horz Size	Up ()	Offset
Invert 1	854.37'	0°	0"	24" HDPE	27.8"	Hole 30	30"	32.406"	0"	0"
Invert 2	854.69'	180°	91.106"	24" HDPE	27.8"	Hole 30	30"	32.406"	3.84"	0"
Invert 3	854.37'	270°	136.659"	24" HDPE	27.8"	Hole 30	30"	32.406"	0"	0"
Invert 4										
Invert 5										
Invert 6										
Invert 7										
Invert 8										

RIGHT-SIDE UP VIEW (int. dimensions)

UPSIDE-DOWN VIEW (int. dimensions)



INSIDE WALL DIMENSIONS



Coating (Int):	Seam Up: Flat	Wall Thickness: 5"	Height (Int): 43"	Weight (Net): 3386 lb
Coating (Ext):	Seam Dn: n/a	Floor Height: 6"	Height (Ext): 49"	Volume (Net): 0.86cu.yd