

Job Name: 25-3021 Goodwill Industries Of Kentucky
 Job Location: Georgetown, KY
 Contractor: Lagco Inc.

Plant: Beaver Dam

Tech: C.Russ

10/22/2025 9:57:57 AM

PC:



Structure ID: MH 1

P2 MH048LD12ECC

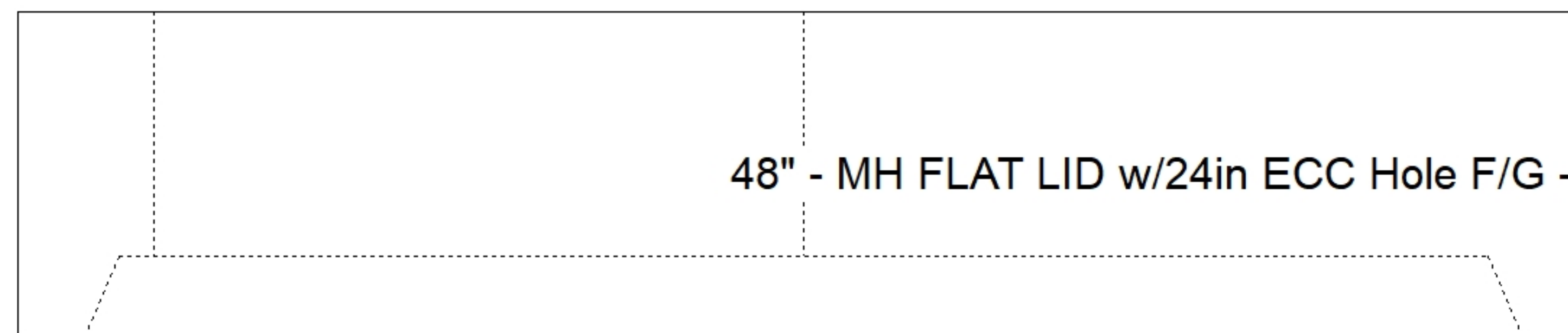
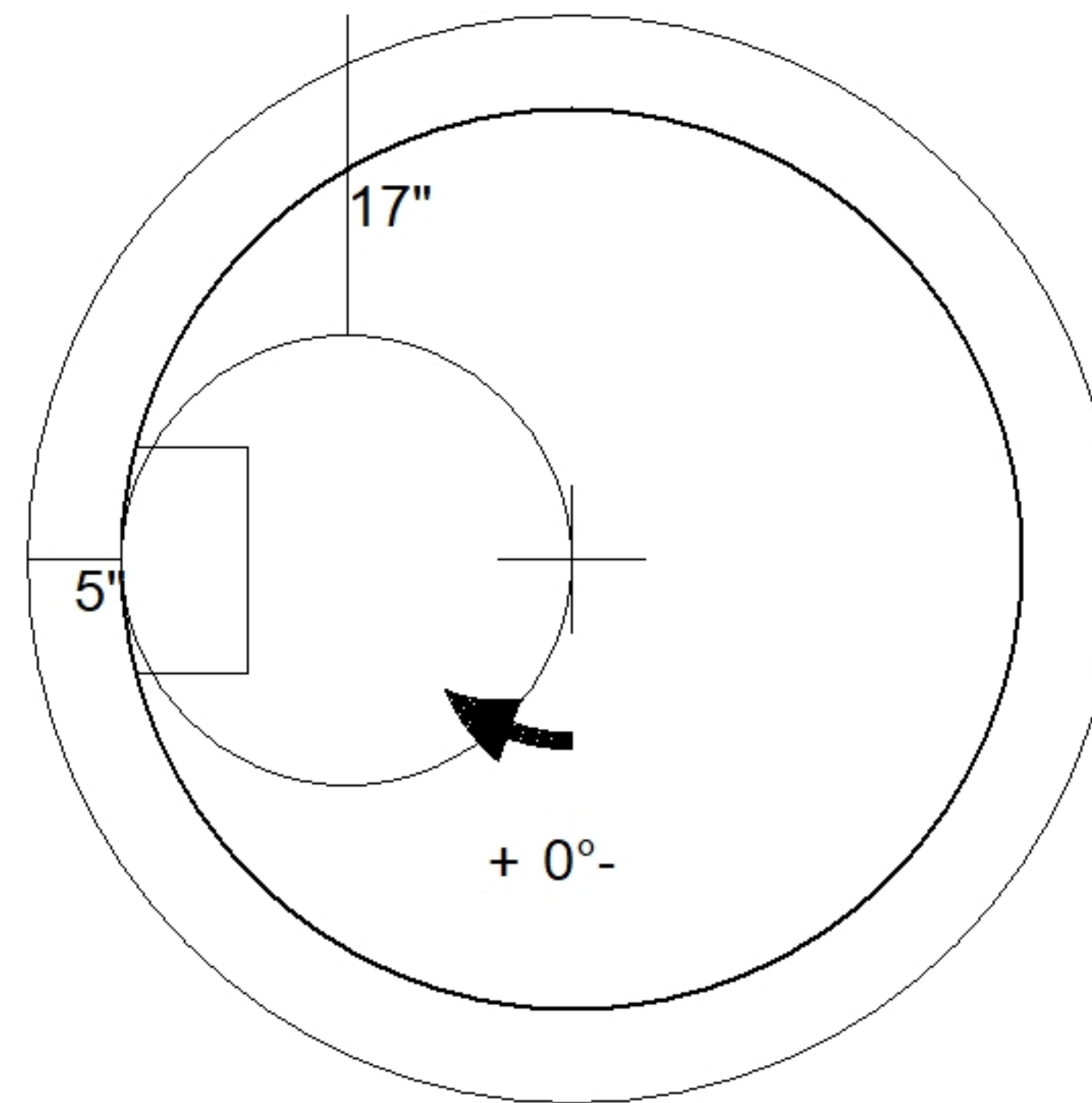
MH FLAT LID w/24in ECC Hole F/G

- P4) 24" - CASTING HEIGHT - 7"
- P3) 24" - GRADE RING F/F - 4"
- P2) 48" - MH FLAT LID w/24in ECC Hole F/G - 12"
- P1) 48" - MH BASE T/n - 36"
- 1) 48" - SGL 1"x14.5' Butyl (2x)
- 1) Hole - 30
- 1) Hole - 16
- 1) Hole - 14
- 3) MH Step ML-10-TDS-NCR - 10"

0 lb
 270 lb
 1561 lb
 3378 lb
 0 lb
 0 lb
 0 lb
 0 lb
 0 lb
 0 lb

 Structure Total: 5209 lb

- Structure Notes:
1. PER ASTM C478 SPECIFICATIONS.
 2. CONCRETE = 4,000 PSI AT 28 DAYS.
 3. HOE MC-375 STORM BY ICAST
 4. REINFORCING PER ASTM A615 (GRADE 60).
 - TOP SLAB (As .62) #5 BARS AT 6" C.C.E.W..
 - RISER/WALLS (As .12)
 - FLOOR (As .31) #5 BARS AT 12" C.C.E.W.



Coating (Int):	Seam Up: Flat Seam Dn: Groove	Wall Thickness: 5"	Height (Ext): 12"	Weight (Net): 1561 lb Volume (Net): 0.4cu.yd
Coating (Ext):				