

Structure ID: DBI 2

P1 MH060BAVF

MH BASE Custom Ht F/n

P3) 30" x 30" - CASTING HEIGHT - 4" P2) 60" - MH FLAT TOP SPEC. HT. (6") w/30"x30" Hole F/F - 6" P1) 60" - MH BASE Custom Ht F/n - 33" 1) 60" - Conseal CS-102 1.00" 1) 30" x 30" - Conseal CS-102 1.00" 1) Hole - 30 2) Hole - 16	0 lb 1597 lb 5586 lb 0 lb 0 lb 0 lb 0 lb 0 lb ----- 7183 lb	Structure Total:
--	--	------------------

Structure Notes:

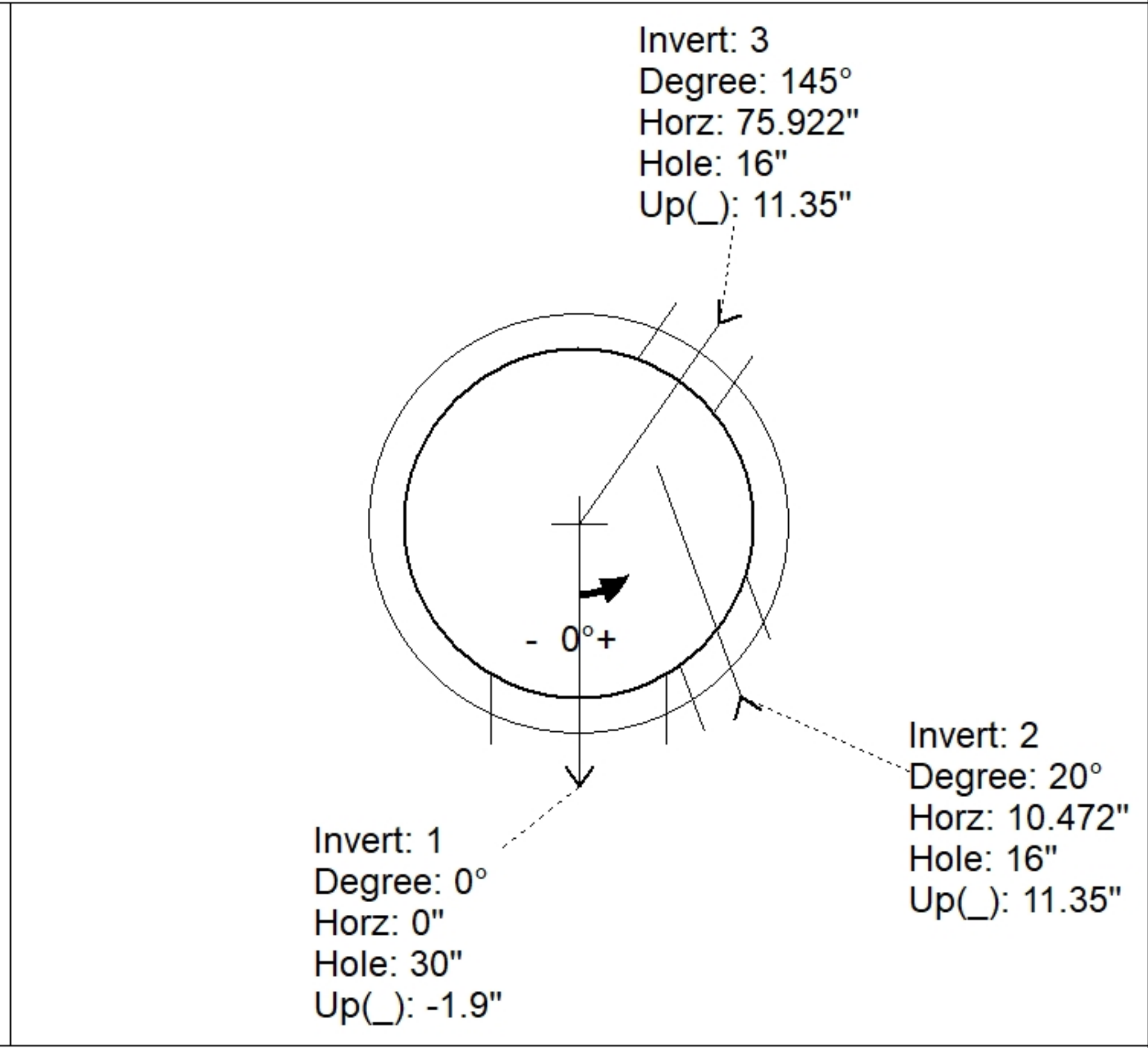
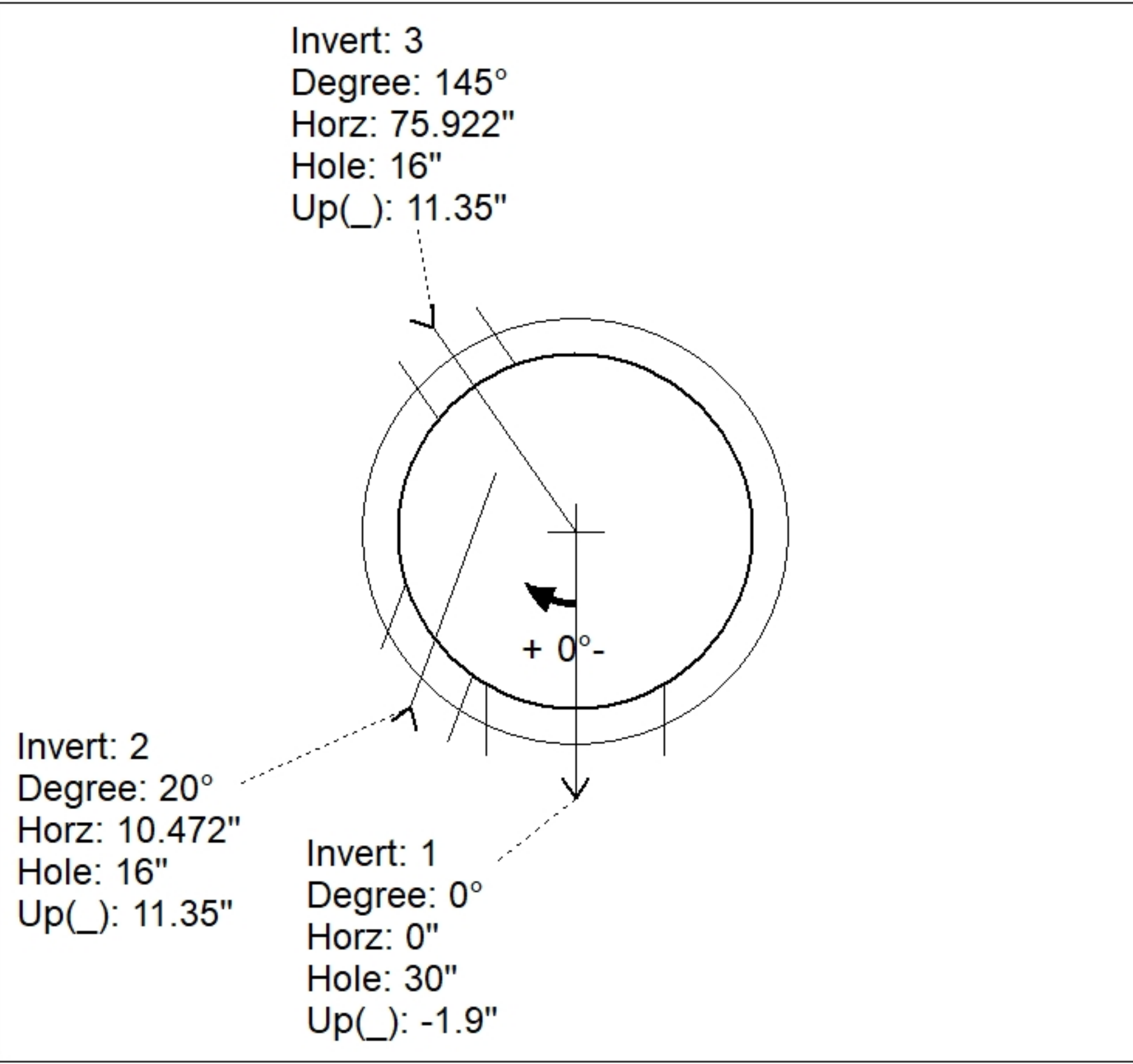
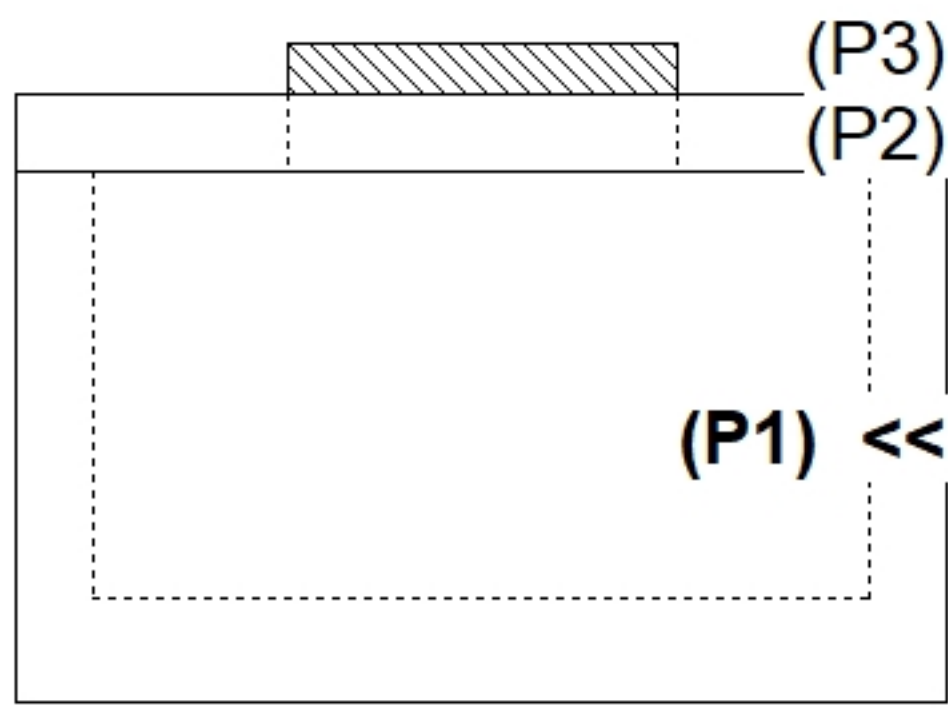
1. PER ASTM C478 SPECIFICATIONS.
2. CONCRETE = 4,000 PSI AT 28 DAYS.
3. NO INVERT CHANNEL.
4. HOE 468 BY ICAST
5. REINFORCING PER ASTM A615 (GRADE 60).
 - TOP SLAB (As .62) #5 BARS AT 6" C.C.E.W..
 - RISER/WALLS (As .12)
 - FLOOR (As .31) #5 BARS AT 12" C.C.E.W.

Rim: 858.36' Rim to Invert: 3.59' Slack: 0.08" Sump: 0" Step Position: 0°

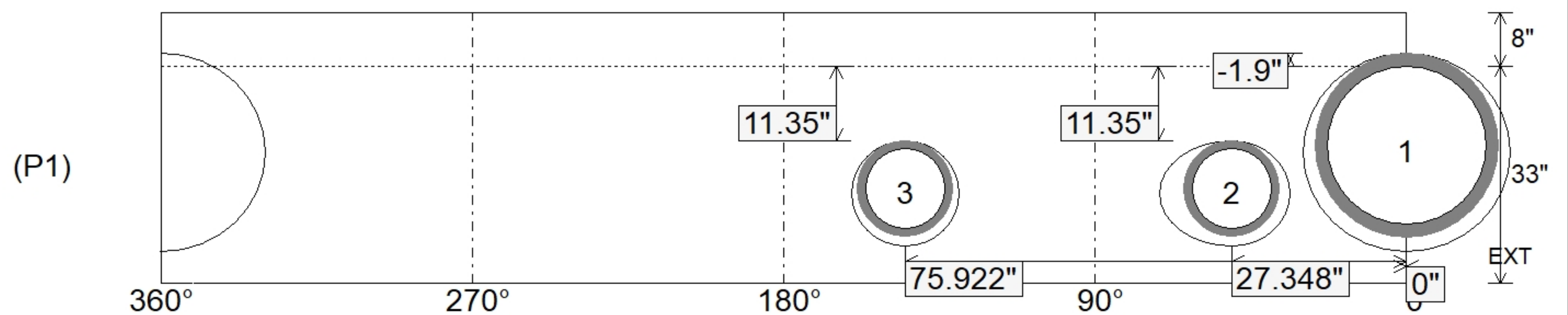
Position	Elev	Angle	Ext. (cw)	Pipe	Pipe OD	Connector	Hole	Horz Size	Up ()	Offset
Invert 1	854.77'	0°	0"	24" HDPE	27.8"	Hole 30	30"	31.416"	-1.9"	0"
Invert 2	855.82'	20°	29.146"	12" HDPE	14.5"	Hole 16	16"	19.721"	11.35"	16"
Invert 3	855.82'	145°	91.106"	12" HDPE	14.5"	Hole 16	16"	16.196"	11.35"	0"
Invert 4										
Invert 5										
Invert 6										
Invert 7										
Invert 8										

RIGHT-SIDE UP VIEW (int. dimensions)

UPSIDE-DOWN VIEW (int. dimensions)



INSIDE WALL DIMENSIONS



Coating (Int):	Seam Up: Flat Seam Dn: n/a	Wall Thickness: 6" Floor Height: 8"	Height (Int): 33" Height (Ext): 41"	Weight (Net): 5586 lb Volume (Net): 1.43cu.yd
Coating (Ext):				