

Structure ID: CBI 5

P1 BX2436-08BA36

BOX BASE 8inW, 8inF F/n

- P2) 24" x 36" - CASTING HEIGHT - 6"
- P1) 24" x 36" - BOX BASE 8inW, 8inF F/n - 36"
- 1) 24" x 36" - SGL 1"x14.5' Butyl
- 1) Hole - 16
- 1) Hole - 10

	0 lb
	4849 lb
	0 lb
	0 lb
	0 lb
Structure Total:	4849 lb

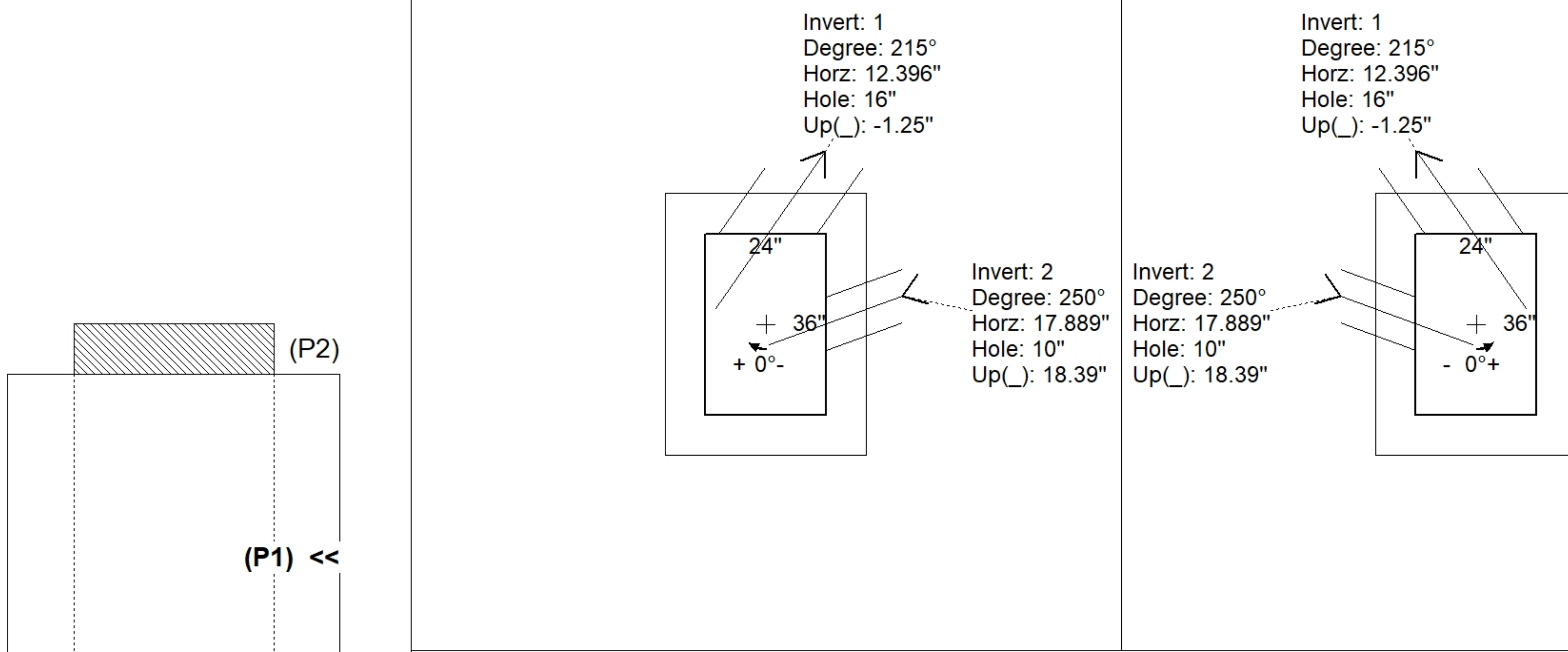
- Structure Notes:**
1. PER ASTM C913 SPECIFICATIONS.
 2. CONCRETE = 4,000 PSI AT 28 DAYS.
 3. NO INVERT CHANNEL.
 4. HOE 525 BY ICAST
 4. REINFORCING PER ASTM A615 (GRADE 60).
 - WALLS (As .12) #5 BARS AT 12" C.C.E.W.
 - FLOOR (As .12) #5 BARS AT 12" C.C.E.W.

Rim: 858.75' Rim to Invert: 3.56' Slack: 0.72" Sump: 0" Step Position: 0°

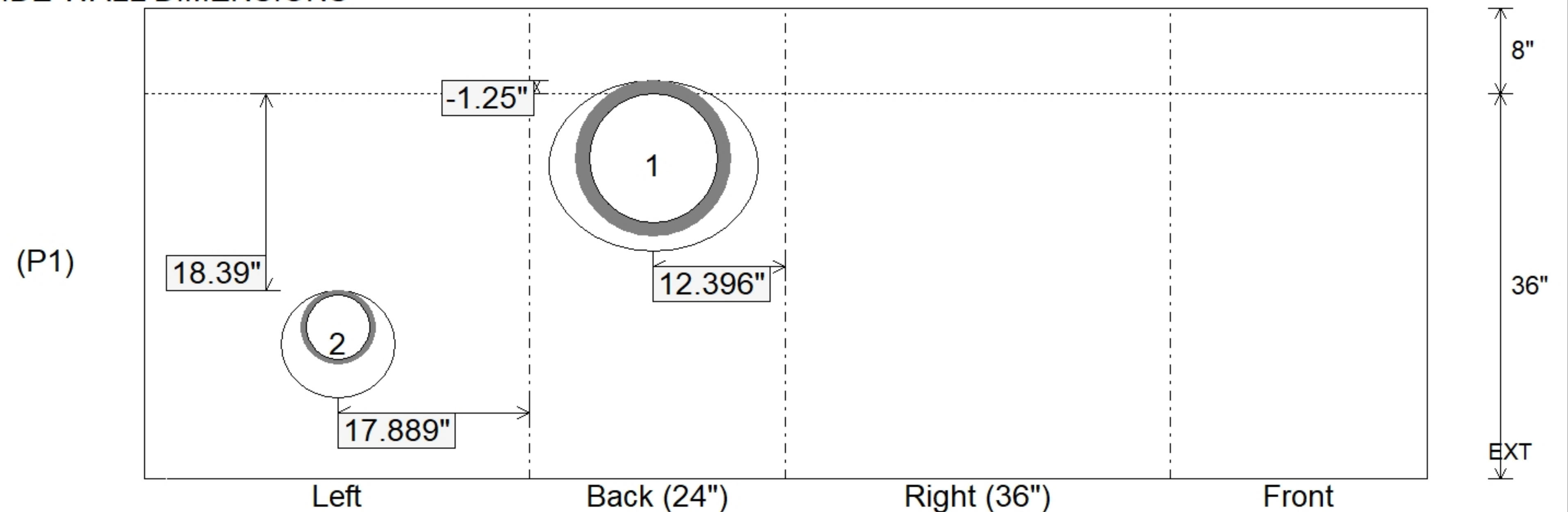
Position	Elev	Angle	Ext. (cw)	Pipe	Pipe OD	Connector	Hole	Horz Size	Up ()	Offset
Invert 1	855.19'	215°	25.998"	12" HDPE	14.5"	Hole 16	16"	19.532"	-1.25"	-10"
Invert 2	856.76'	250°	22.977"	6" HDPE	6.9"	Hole 10	10"	10.642"	18.39"	4"
Invert 3										
Invert 4										
Invert 5										
Invert 6										
Invert 7										
Invert 8										

RIGHT-SIDE UP VIEW (int. dimensions)

UPSIDE-DOWN VIEW (int. dimensions)



INSIDE WALL DIMENSIONS



Coating (Int):	Seam Up: Flat Seam Dn: n/a	Wall Thickness: 8" Floor Height: 8"	Height (Int): 36" Height (Ext): 44"
Coating (Ext):			Weight (Net): 4849 lb Volume (Net): 1.24cu.yd