

Job Name: 25-3021 Goodwill Industries Of Kentucky
Job Location: Georgetown, KY
Contractor: Lagco Inc.

PC:
 TECH: C.Russ
 Plant: Beaver Dam



Structure ID: **CBI 4**
 Spec: Storm
 Type: BX 8inW, 8inF
 Size: 24" x 36"

Rim: 858.56'
 Invert: 855.95'
 Rim to Invert: 2.61'

Sump: 0"
 Floor (Top): 855.95'
 Floor Height: 8"

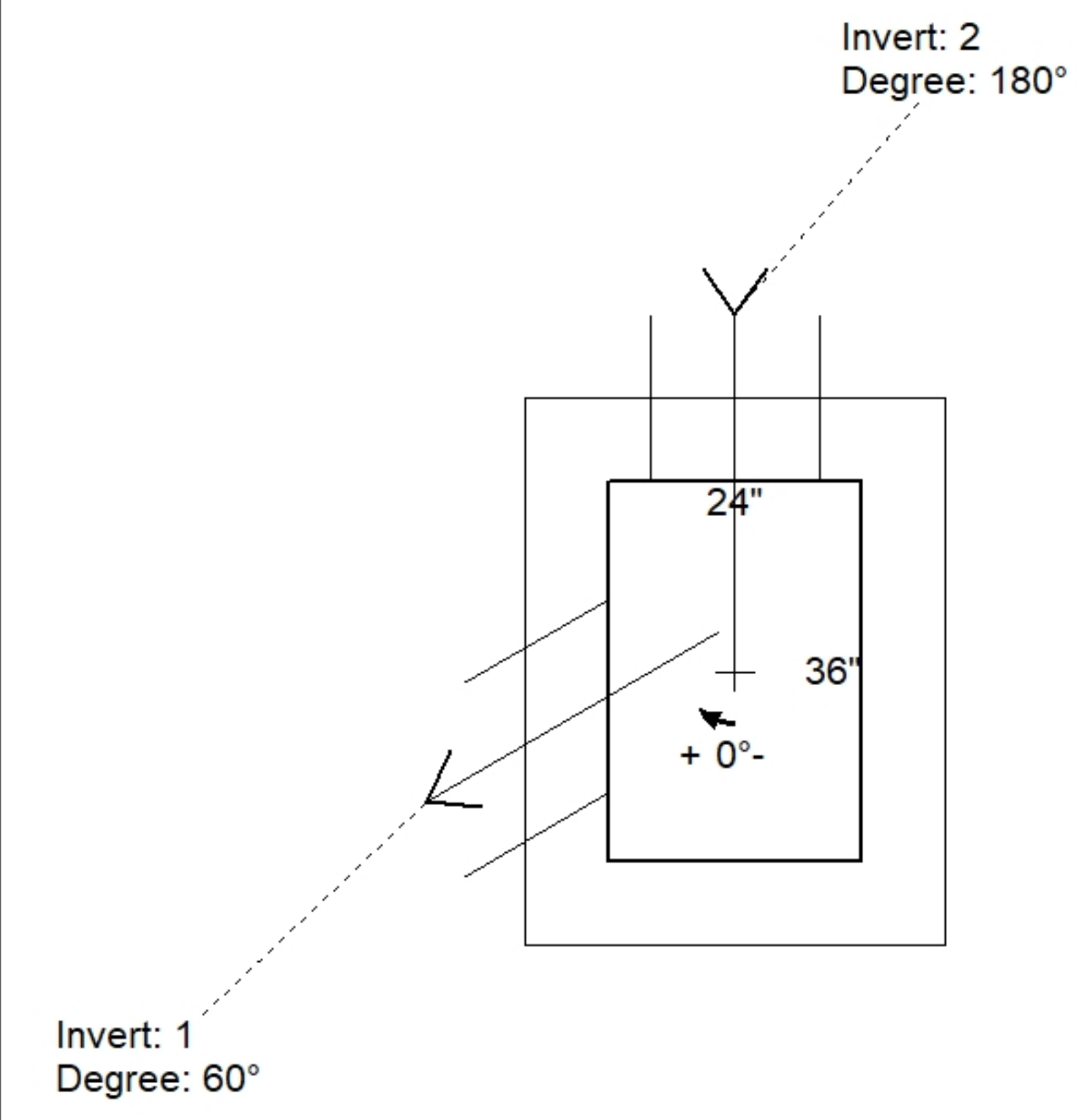
Floor (Bot): 855.283'
 Overall Height: 3.25'
 Slack: 0.32"

Structure Notes:

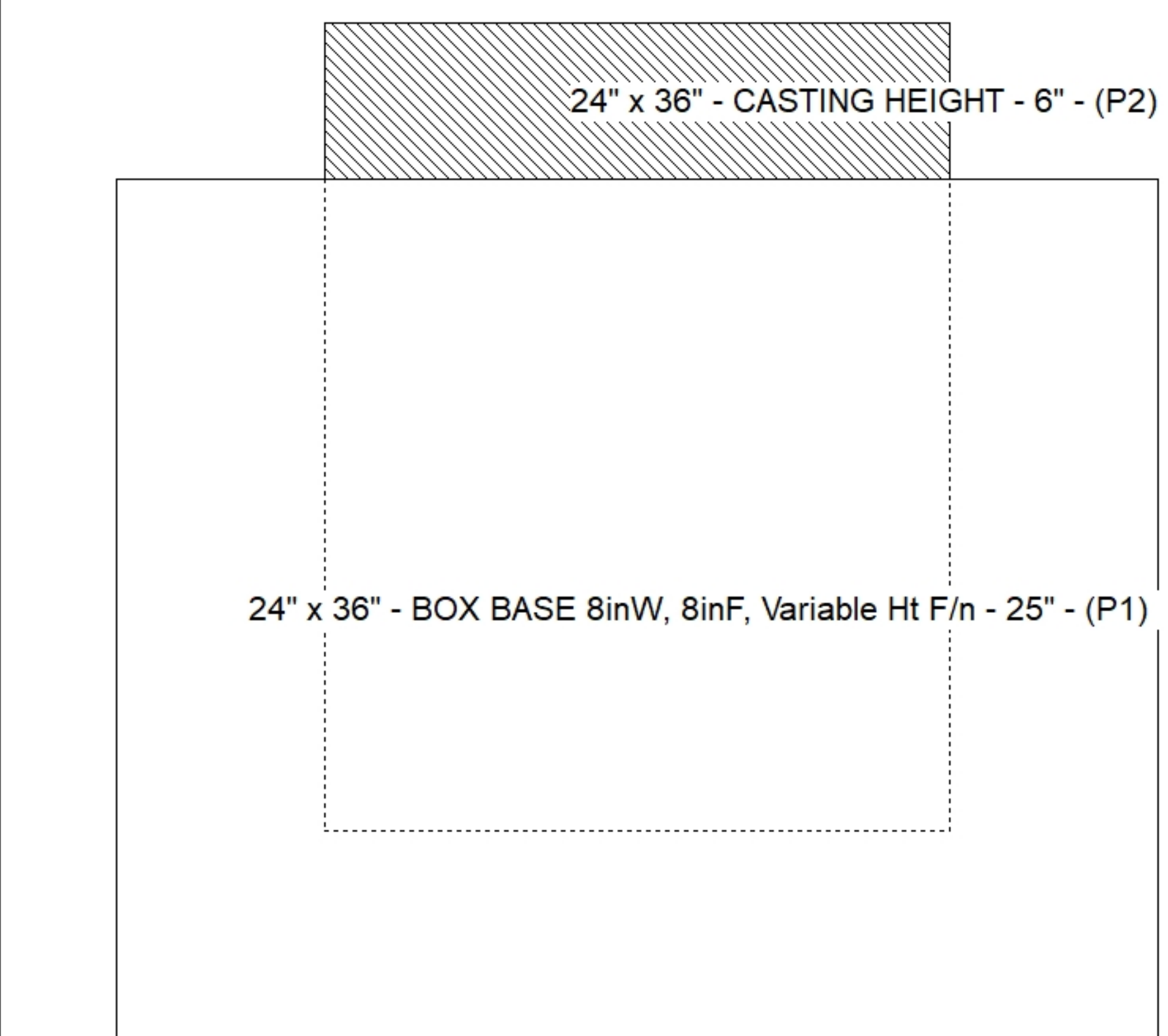
1. PER ASTM C913 SPECIFICATIONS.
2. CONCRETE = 4,000 PSI AT 28 DAYS.
3. NO INVERT CHANNEL.
4. HOE 525 BY ICAST
4. REINFORCING PER ASTM A615 (GRADE 60).
 - WALLS (As .12) #5 BARS AT 12" C.C.E.W.
 - FLOOR (As .12) #5 BARS AT 12" C.C.E.W.

STRUCTURE SUMMARY:

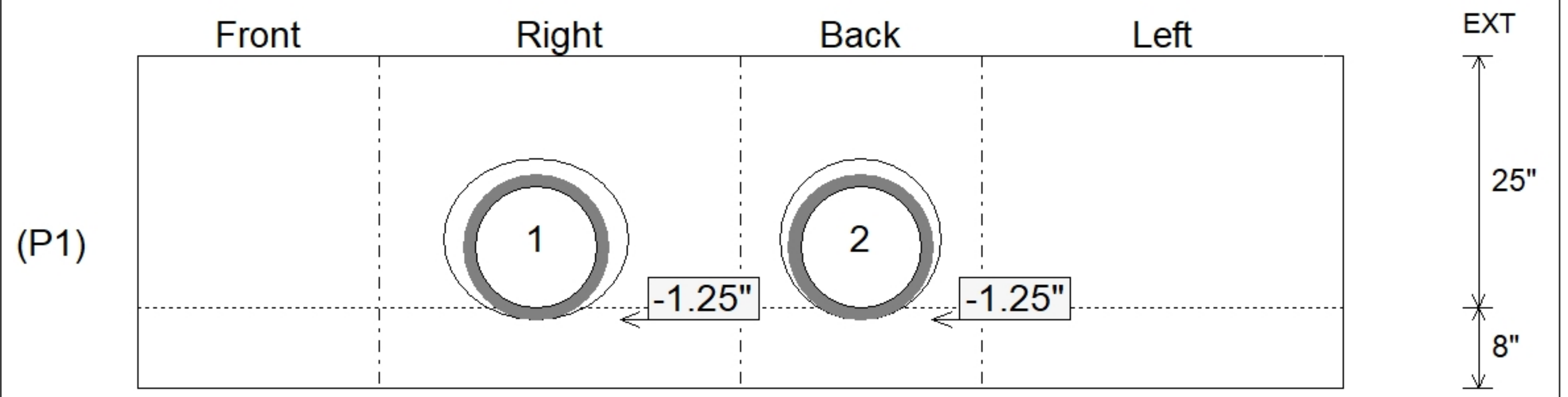
P2) 24" x 36" - CASTING HEIGHT - 6" 0 lb
 P1) 24" x 36" - BOX BASE 8inW, 8inF, Variable Ht F/n - 25" 3656 lb
 1) 24" x 36" - SGL 1"x14.5' Butyl 0 lb
 2) Hole - 16 0 lb
 Structure Total: 3656 lb



Position	Elev	Angle	Pipe	Pipe OD	Hole	Connector	Up ()	Ref
Rim	858.56'							
Reducer								
Invert 1	855.95'	60°	12" HDPE	14.5"	16"	Hole 16	-1.25"	P1
Invert 2	855.95'	180°	12" HDPE	14.5"	16"	Hole 16	-1.25"	P1
Invert 3								
Invert 4								
Invert 5								
Invert 6								
Invert 7								
Invert 8								



Default - Interior Dimensions



Submittal Drawing
 10/22/2025 9:57:09 AM

SUBMITTAL
 APPROVED BY: