

Job Name: 25-3021 Goodwill Industries Of Kentucky
 Job Location: Georgetown, KY
 Contractor: Lagco Inc.

Plant: Beaver Dam

Tech: C.Russ

10/22/2025 9:57:27 AM

PC:



Structure ID: CBI 4

P1 BX2436-08BVF

BOX BASE 8inW, 8inF, Variable Ht F/n

- P2) 24" x 36" - CASTING HEIGHT - 6"
- P1) 24" x 36" - BOX BASE 8inW, 8inF, Variable Ht F/n - 25"
- 1) 24" x 36" - SGL 1"x14.5' Butyl
- 2) Hole - 16

0 lb
 3656 lb
 0 lb
 0 lb

 Structure Total: 3656 lb

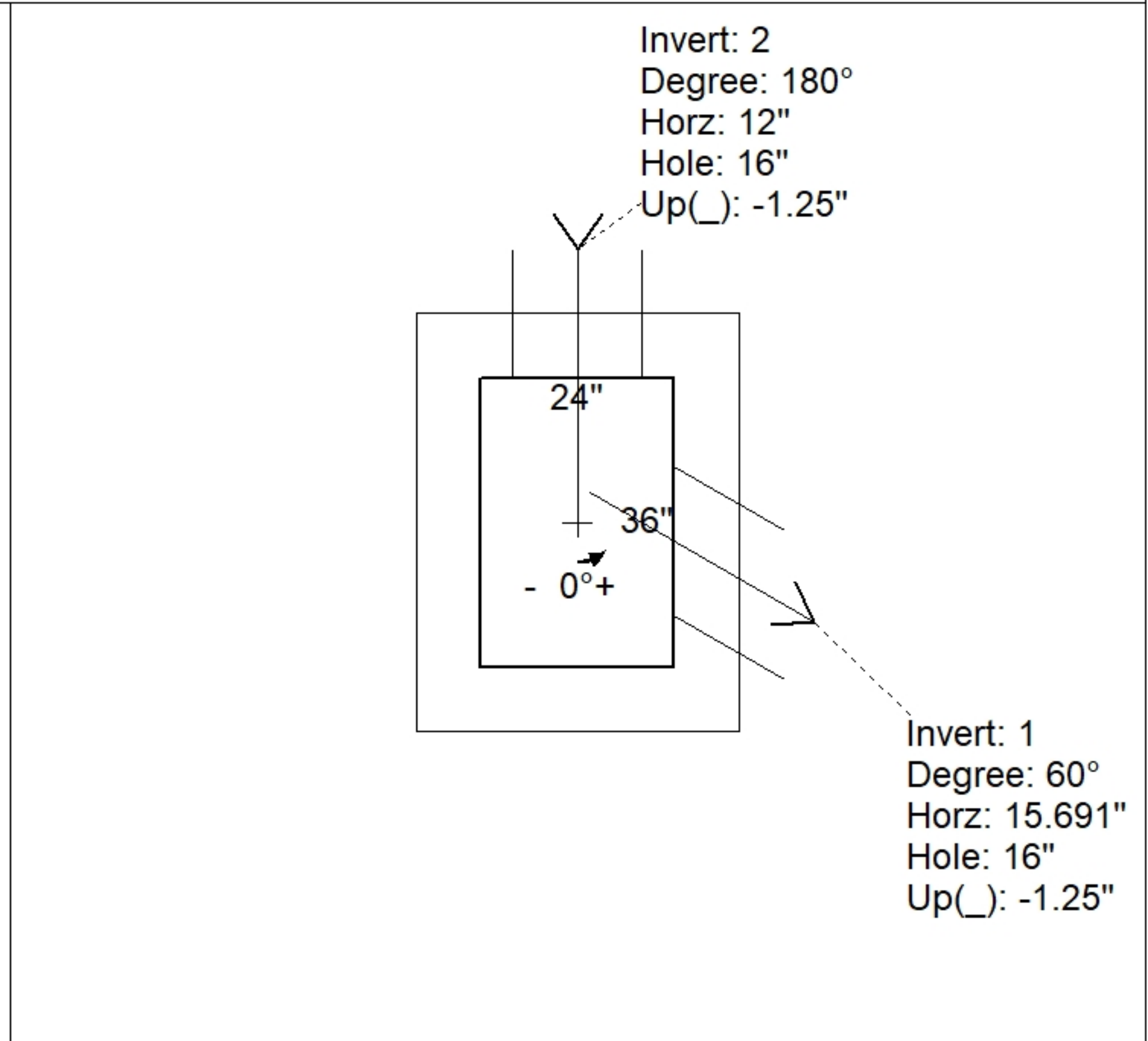
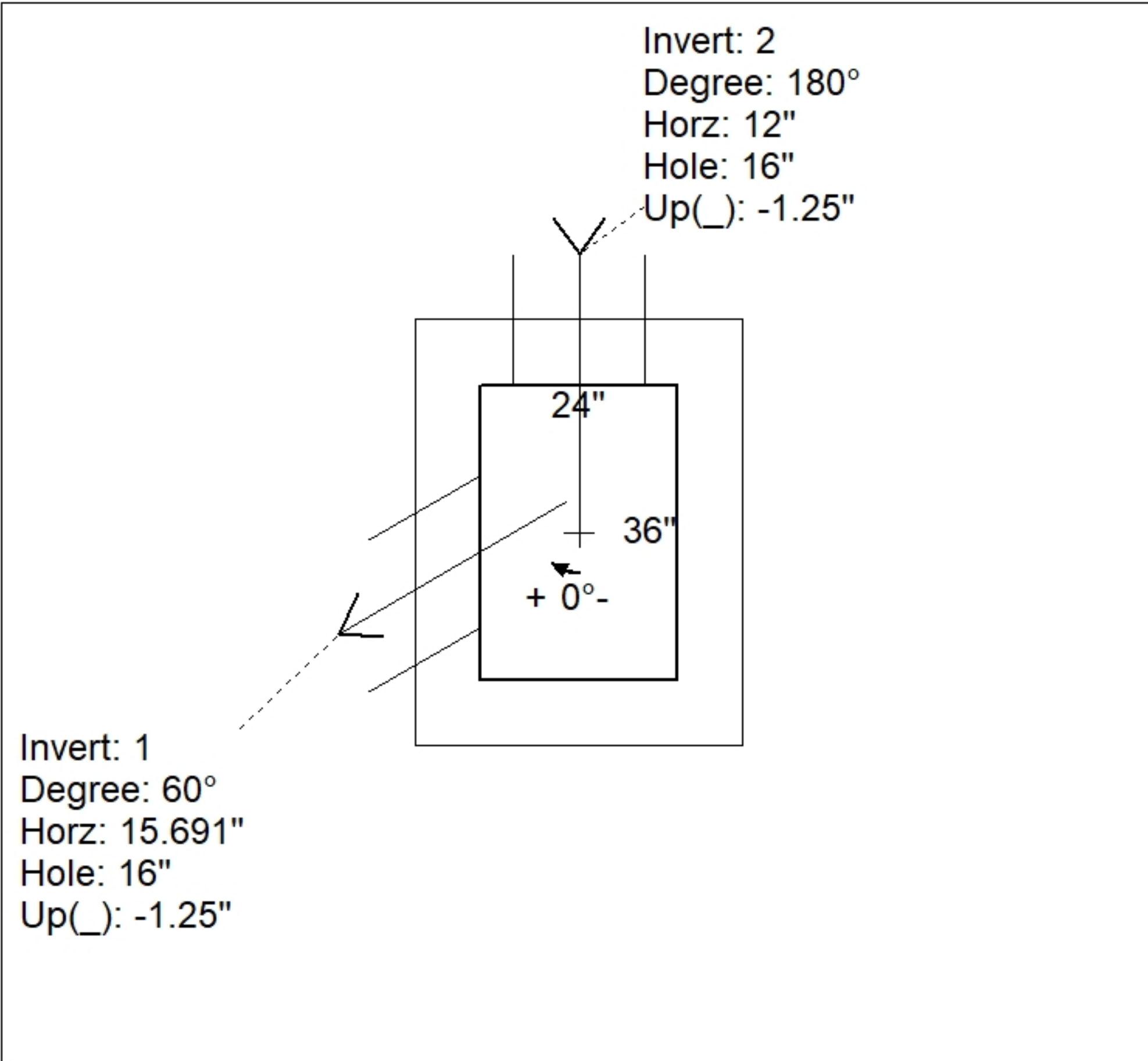
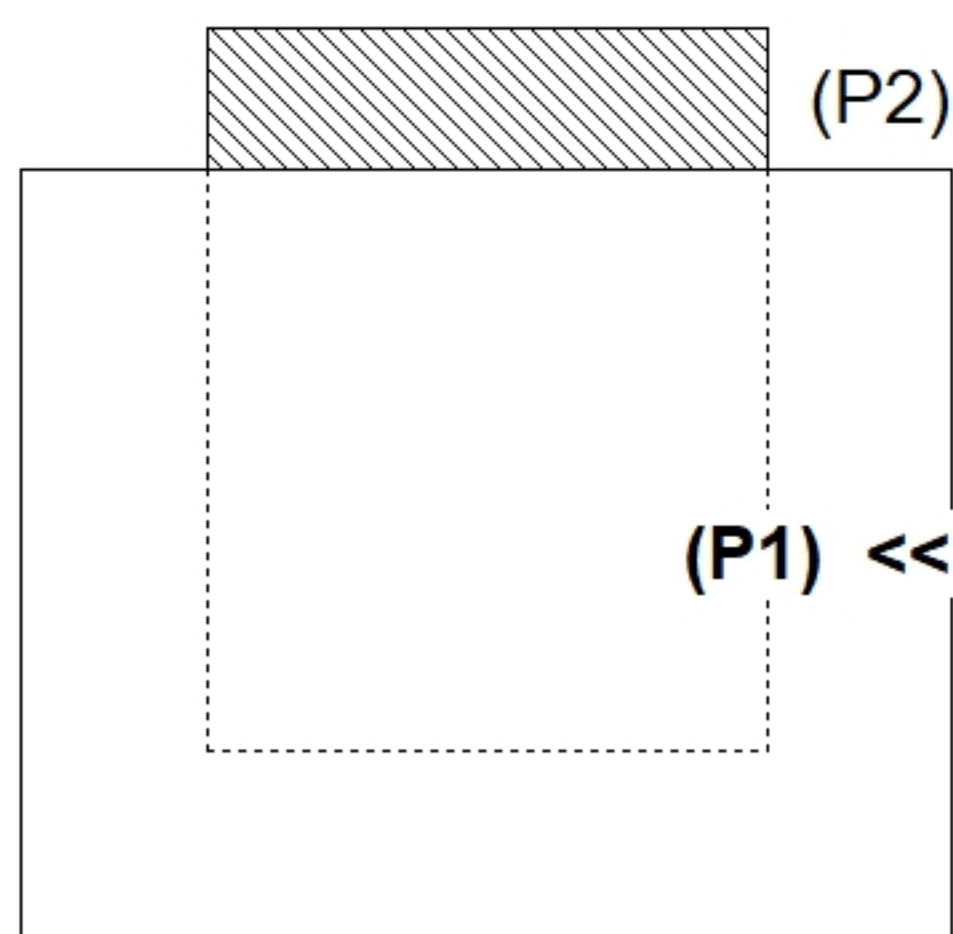
- Structure Notes:**
1. PER ASTM C913 SPECIFICATIONS.
 2. CONCRETE = 4,000 PSI AT 28 DAYS.
 3. NO INVERT CHANNEL.
 4. HOE 525 BY ICAST
 4. REINFORCING PER ASTM A615 (GRADE 60).
 - WALLS (As .12) #5 BARS AT 12" C.C.E.W.
 - FLOOR (As .12) #5 BARS AT 12" C.C.E.W.

Rim: 858.56' Rim to Invert: 2.61' Slack: 0.32" Sump: 0" Step Position: 0°

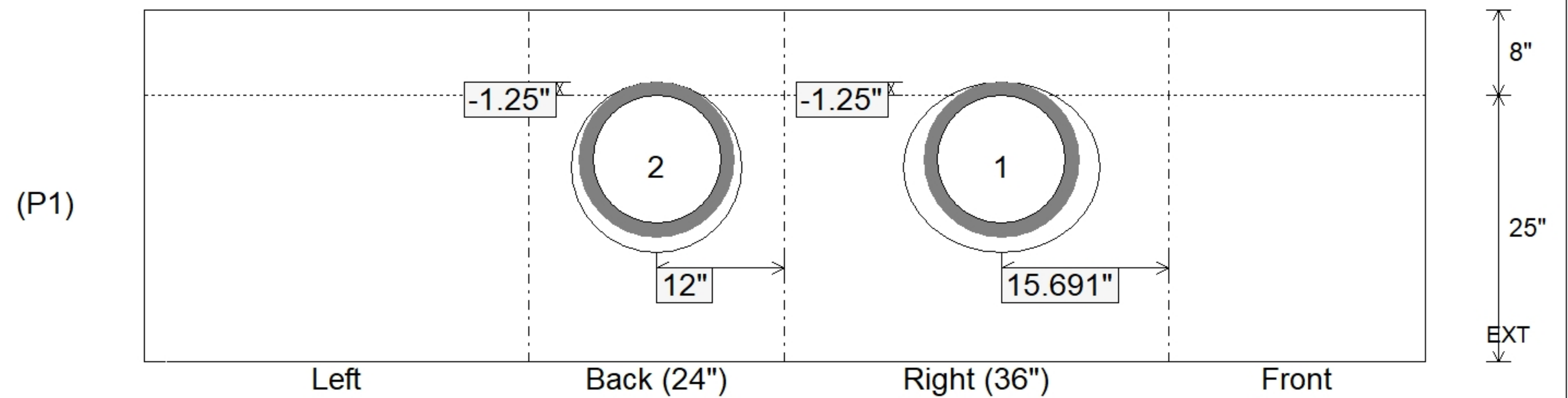
Position	Elev	Angle	Ext. (cw)	Pipe	Pipe OD	Connector	Hole	Horz Size	Up ()	Offset
Invert 1	855.95'	60°	19.072"	12" HDPE	14.5"	Hole 16	16"	18.475"	-1.25"	4"
Invert 2	855.95'	180°	20"	12" HDPE	14.5"	Hole 16	16"	16"	-1.25"	0"
Invert 3										
Invert 4										
Invert 5										
Invert 6										
Invert 7										
Invert 8										

RIGHT-SIDE UP VIEW (int. dimensions)

UPSIDE-DOWN VIEW (int. dimensions)



INSIDE WALL DIMENSIONS



Coating (Int):
 Coating (Ext):

Seam Up: Flat
 Seam Dn: n/a

Wall Thickness: 8"
 Floor Height: 8"

Height (Int): 25"
 Height (Ext): 33"

Weight (Net): 3656 lb
 Volume (Net): 0.93cu.yd