

Structure ID: CBI 2

P1 BX2436-08BA24

BOX BASE 8inW, 8inF F/n

- P2) 24" x 36" - CASTING HEIGHT - 6"
- P1) 24" x 36" - BOX BASE 8inW, 8inF F/n - 24"
- 1) 24" x 36" - SGL 1"x14.5' Butyl
- 1) Hole - 16
- 1) Hole - 18

0 lb
 3436 lb
 0 lb
 0 lb
 0 lb

 Structure Total: 3436 lb

Structure Notes:

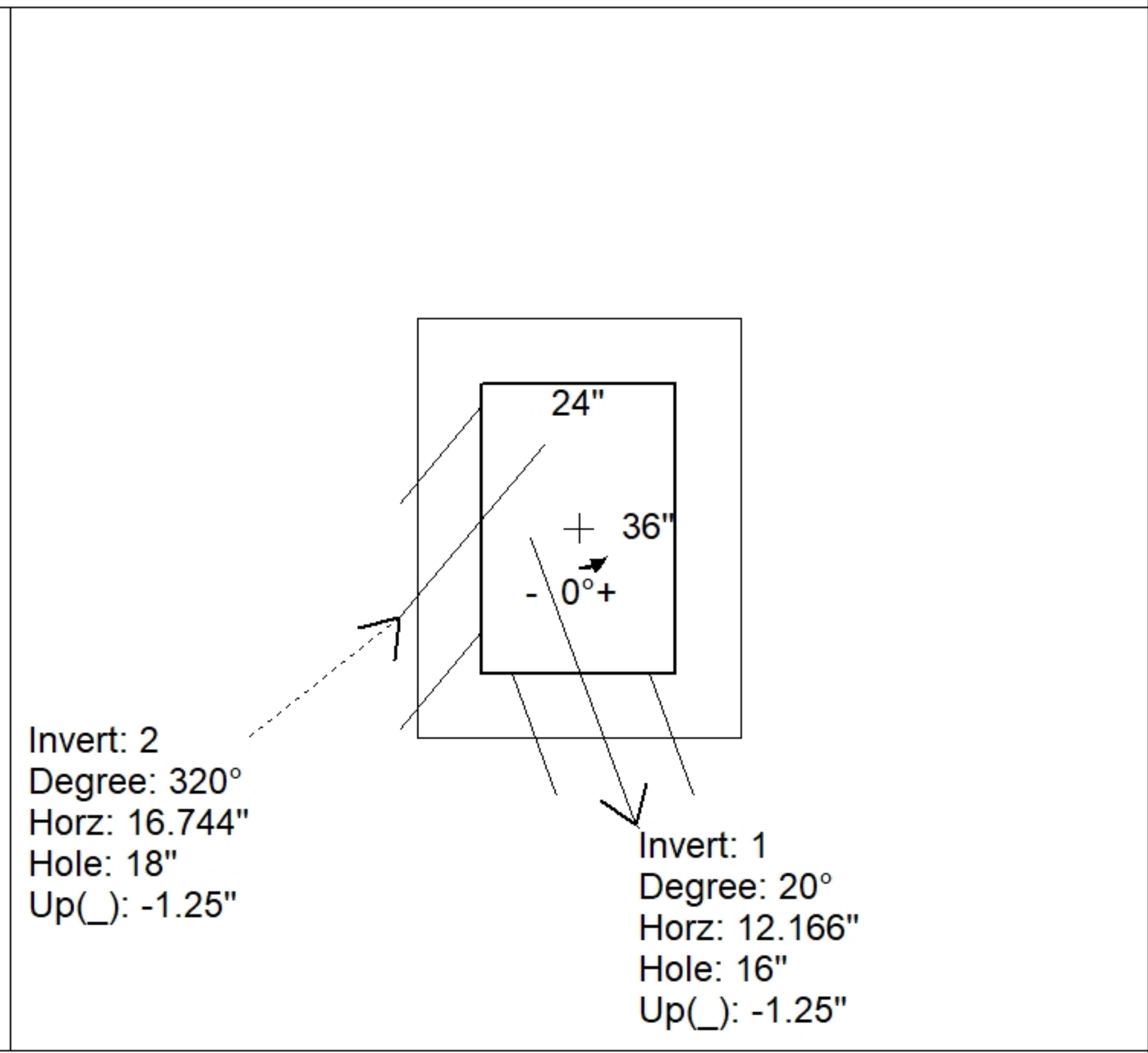
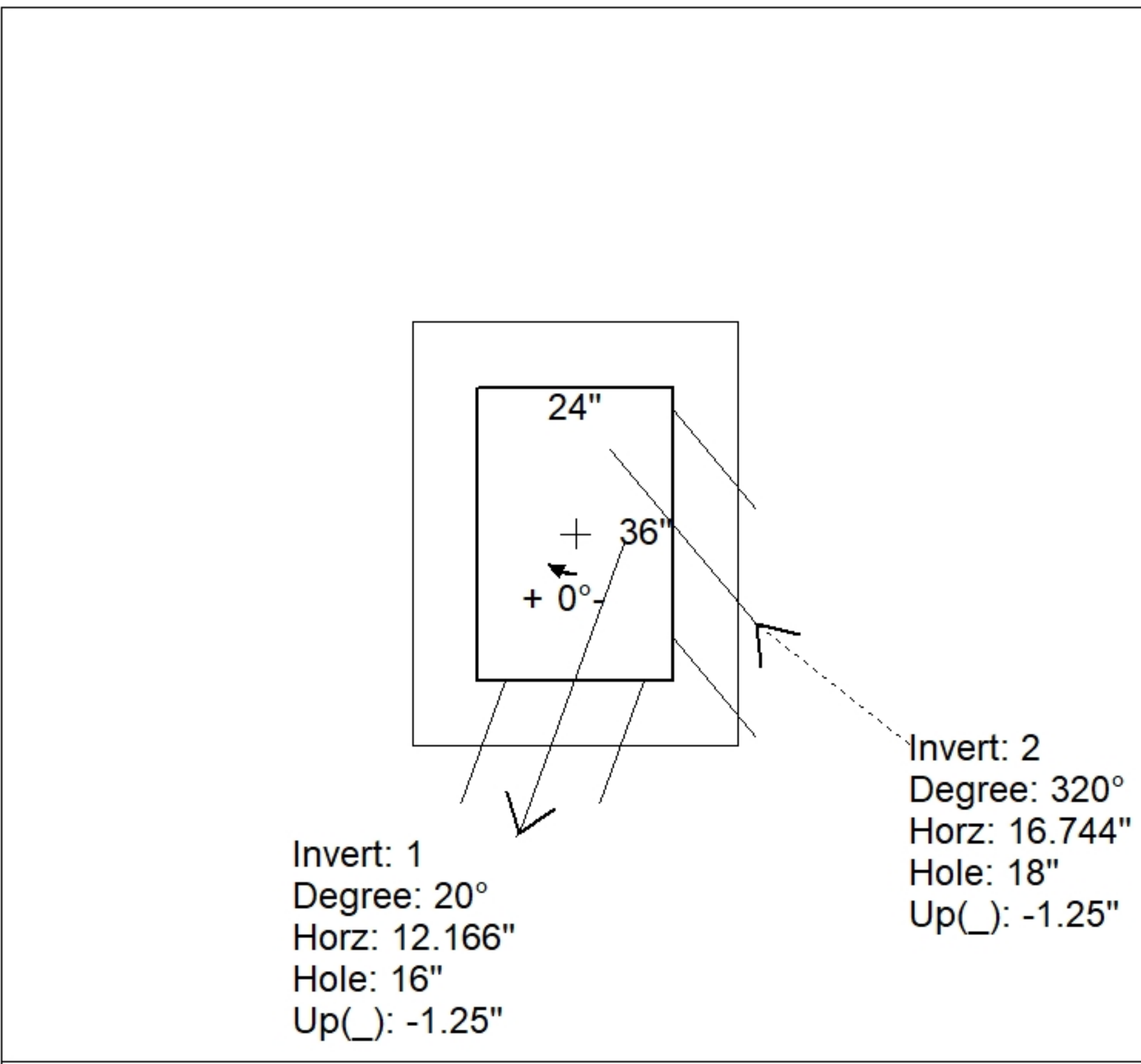
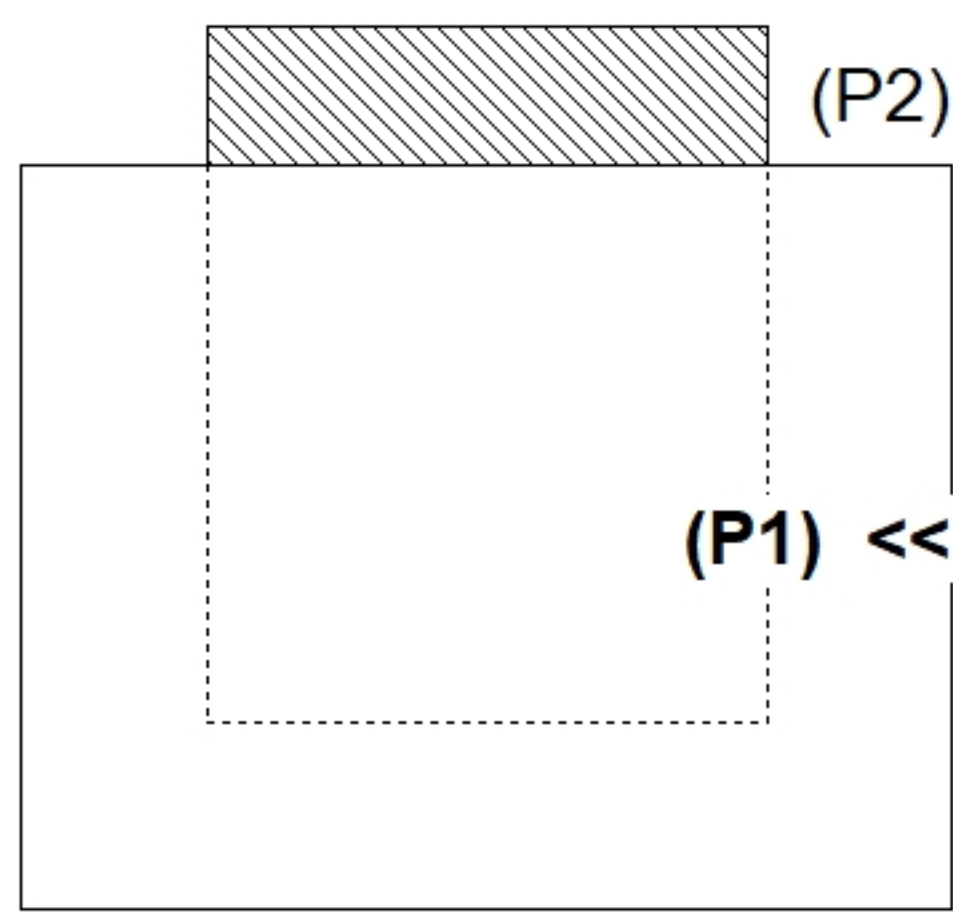
1. PER ASTM C913 SPECIFICATIONS.
2. CONCRETE = 4,000 PSI AT 28 DAYS.
3. NO INVERT CHANNEL.
4. HOE 525 BY ICAST
4. REINFORCING PER ASTM A615 (GRADE 60).
- WALLS (As .12) #5 BARS AT 12" C.C.E.W.
- FLOOR (As .12) #5 BARS AT 12" C.C.E.W.

Rim: 858.42' Rim to Invert: 2.55' Slack: 0.6" Sump: 0" Step Position: 0°

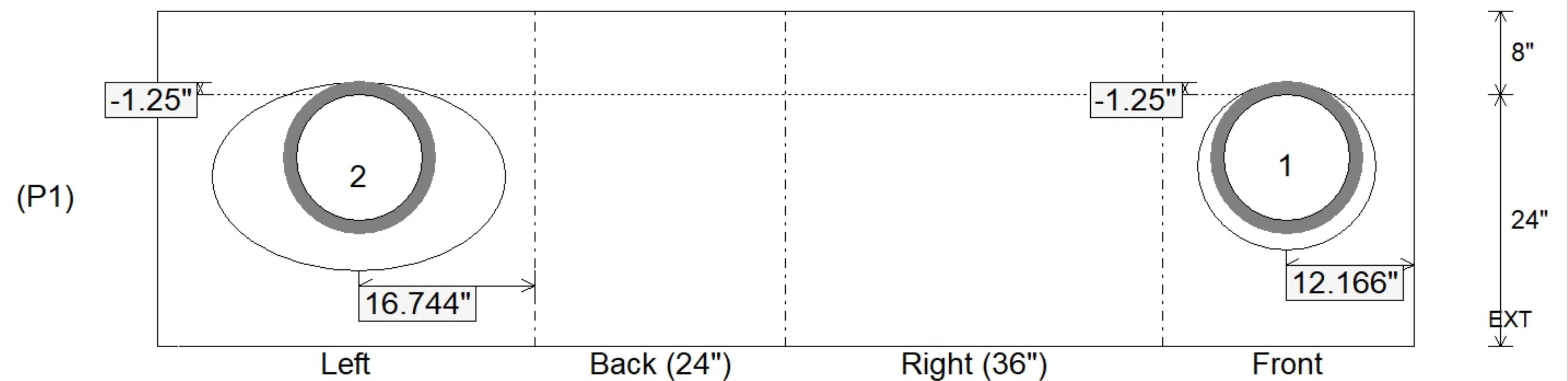
Position	Elev	Angle	Ext. (cw)	Pipe	Pipe OD	Connector	Hole	Horz Size	Up ()	Offset
Invert 1	855.87'	20°	23.078"	12" HDPE	14.5"	Hole 16	16"	17.027"	-1.25"	-6"
Invert 2	855.87'	320°	34.278"	12" HDPE	14.5"	Hole 18	18"	28.003"	-1.25"	-10"
Invert 3										
Invert 4										
Invert 5										
Invert 6										
Invert 7										
Invert 8										

RIGHT-SIDE UP VIEW (int. dimensions)

UPSIDE-DOWN VIEW (int. dimensions)



INSIDE WALL DIMENSIONS



Coating (Int):	Seam Up: Flat	Wall Thickness: 8"	Height (Int): 24"
Coating (Ext):	Seam Dn: n/a	Floor Height: 8"	Height (Ext): 32"
		Weight (Net): 3436 lb	
		Volume (Net): 0.88cu.yd	