

Job Name: 25-3021 Goodwill Industries Of Kentucky
Job Location: Georgetown, KY
Contractor: Lagco Inc.

PC:
 TECH: C.Russ
 Plant: Beaver Dam



Structure ID: CBI 1
 Spec: Storm
 Type: STM.MH
 Size: 48"

Rim: 858.4'
 Invert: 854.77'
 Rim to Invert: 3.63'

Sump: 1.9"
 Floor (Top): 854.612'
 Floor Height: 6"

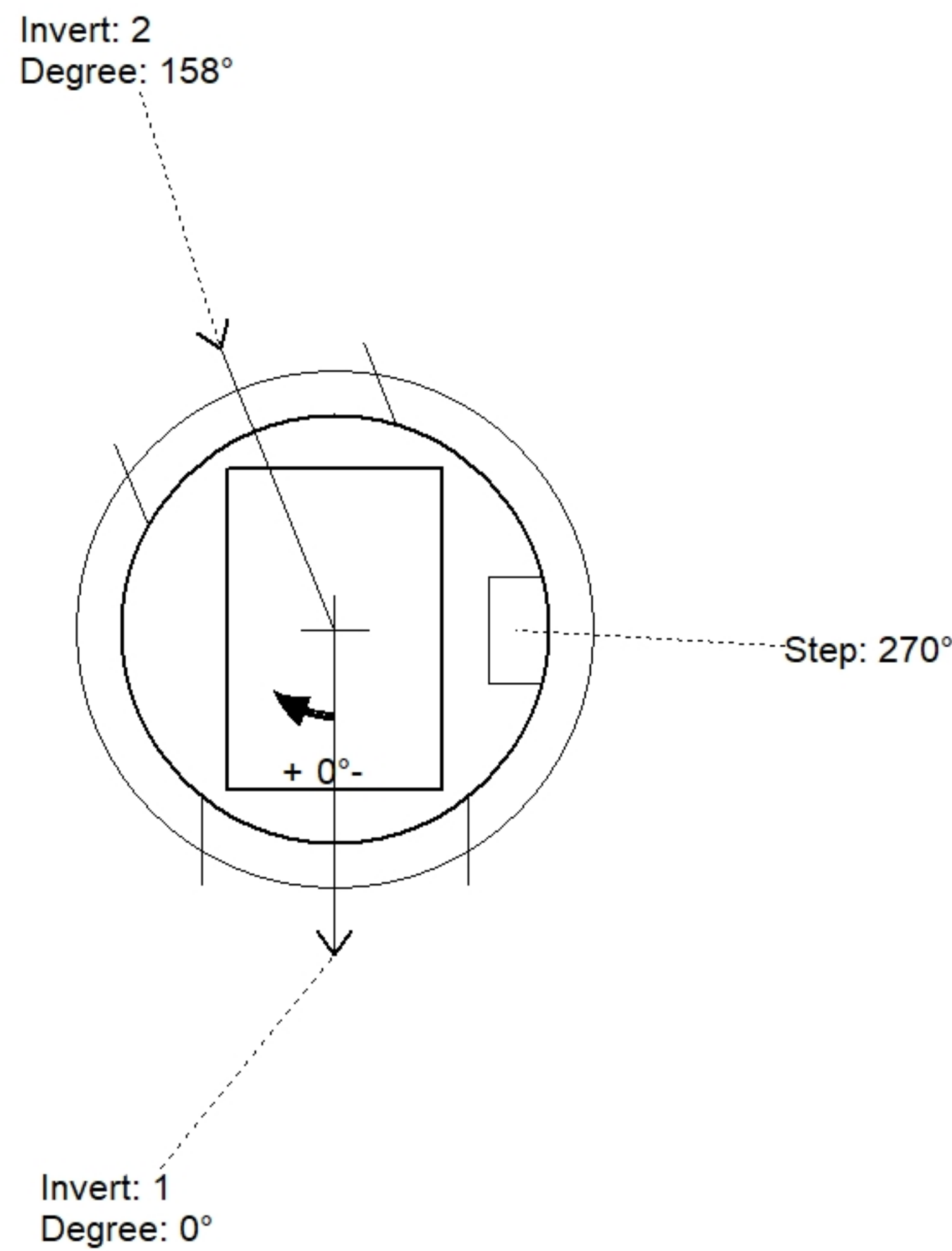
Floor (Bot): 854.112'
 Overall Height: 4.25'
 Slack: 0.46"

Structure Notes:

1. PER ASTM C478 SPECIFICATIONS.
2. CONCRETE = 4,000 PSI AT 28 DAYS.
3. HOE 525 F/G BY ICAST
4. REINFORCING PER ASTM A615 (GRADE 60).
 - TOP SLAB (As .62) #5 BARS AT 6" C.C.E.W..
 - RISER/WALLS (As .12)
 - FLOOR (As .31) #5 BARS AT 12" C.C.E.W.

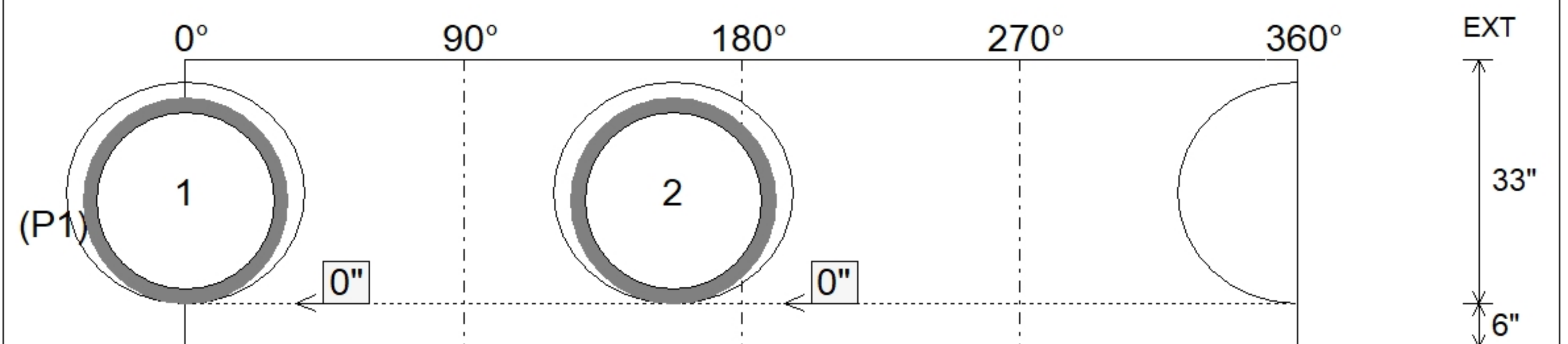
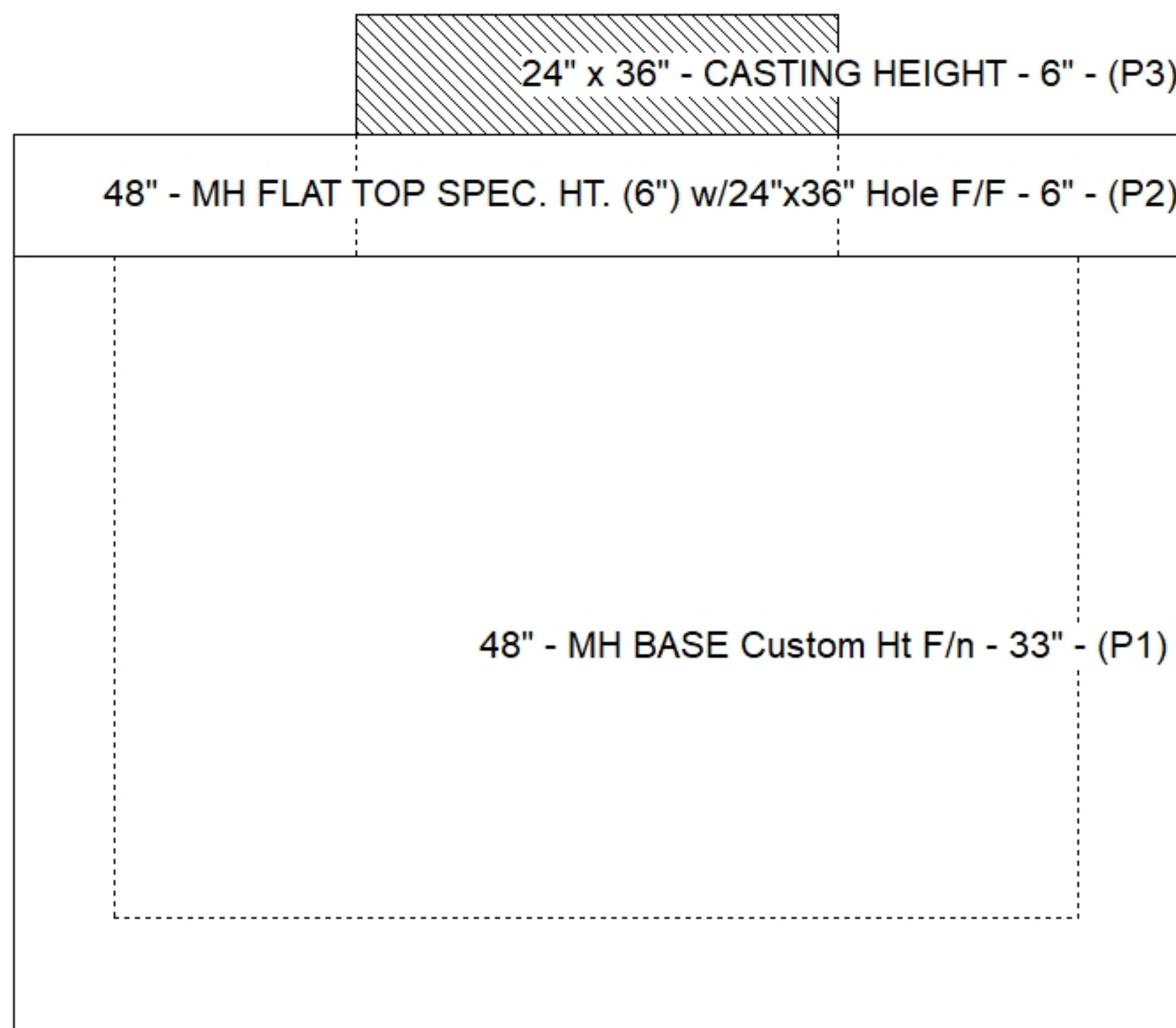
STRUCTURE SUMMARY:

P3) 24" x 36" - CASTING HEIGHT - 6"	0 lb
P2) 48" - MH FLAT TOP SPEC. HT. (6") w/24"x36" Hole F/F - 6"	895 lb
P1) 48" - MH BASE Custom Ht F/n - 33"	2974 lb
1) 48" - SGL 1"x14.5' Butyl (2x)	0 lb
2) Hole - 30	0 lb
3) MH Step ML-10-TDS-NCR - 10"	0 lb
Structure Total:	3869 lb



Position	Elev	Angle	Pipe	Pipe OD	Hole	Connector	Up ()	Ref
Rim	858.4'							
Reducer								
Invert 1	854.77'	0°	24" HDPE	27.8"	30"	Hole 30	0"	P1
Invert 2	854.77'	158°	24" HDPE	27.8"	30"	Hole 30	0"	P1
Invert 3								
Invert 4								
Invert 5								
Invert 6								
Invert 7								
Invert 8								

Default - Interior Dimensions



Submittal Drawing
 10/22/2025 9:57:08 AM

SUBMITTAL
 APPROVED BY: