

Job Name: 25-3021 Goodwill Industries Of Kentucky
 Job Location: Georgetown, KY
 Contractor: Lagco Inc.

Plant: Beaver Dam

Tech: C.Russ

10/22/2025 9:57:25 AM

PC:



Structure ID: CBI 1

P1 MH048BAVF

MH BASE Custom Ht F/n

- P3) 24" x 36" - CASTING HEIGHT - 6"
- P2) 48" - MH FLAT TOP SPEC. HT. (6") w/24"x36" Hole F/F - 6"
- P1) 48" - MH BASE Custom Ht F/n - 33"
- 1) 48" - SGL 1"x14.5' Butyl (2x)
- 2) Hole - 30
- 3) MH Step ML-10-TDS-NCR - 10"

0 lb
 895 lb
 2974 lb
 0 lb
 0 lb
 0 lb

 Structure Total: 3869 lb

Structure Notes:

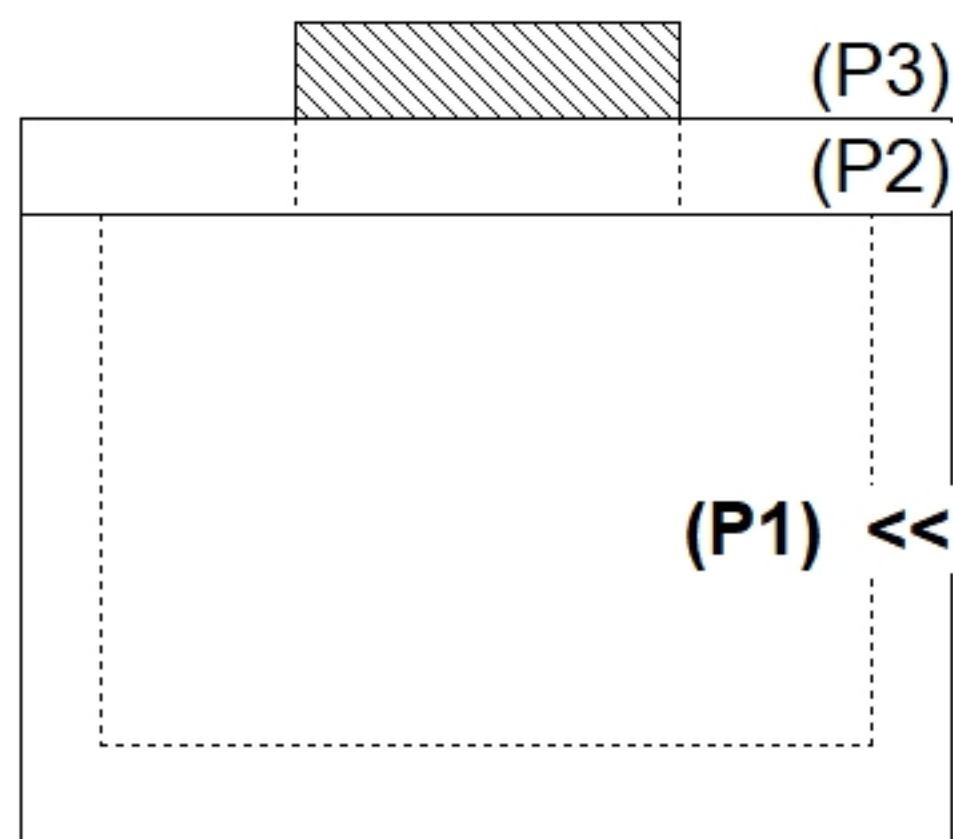
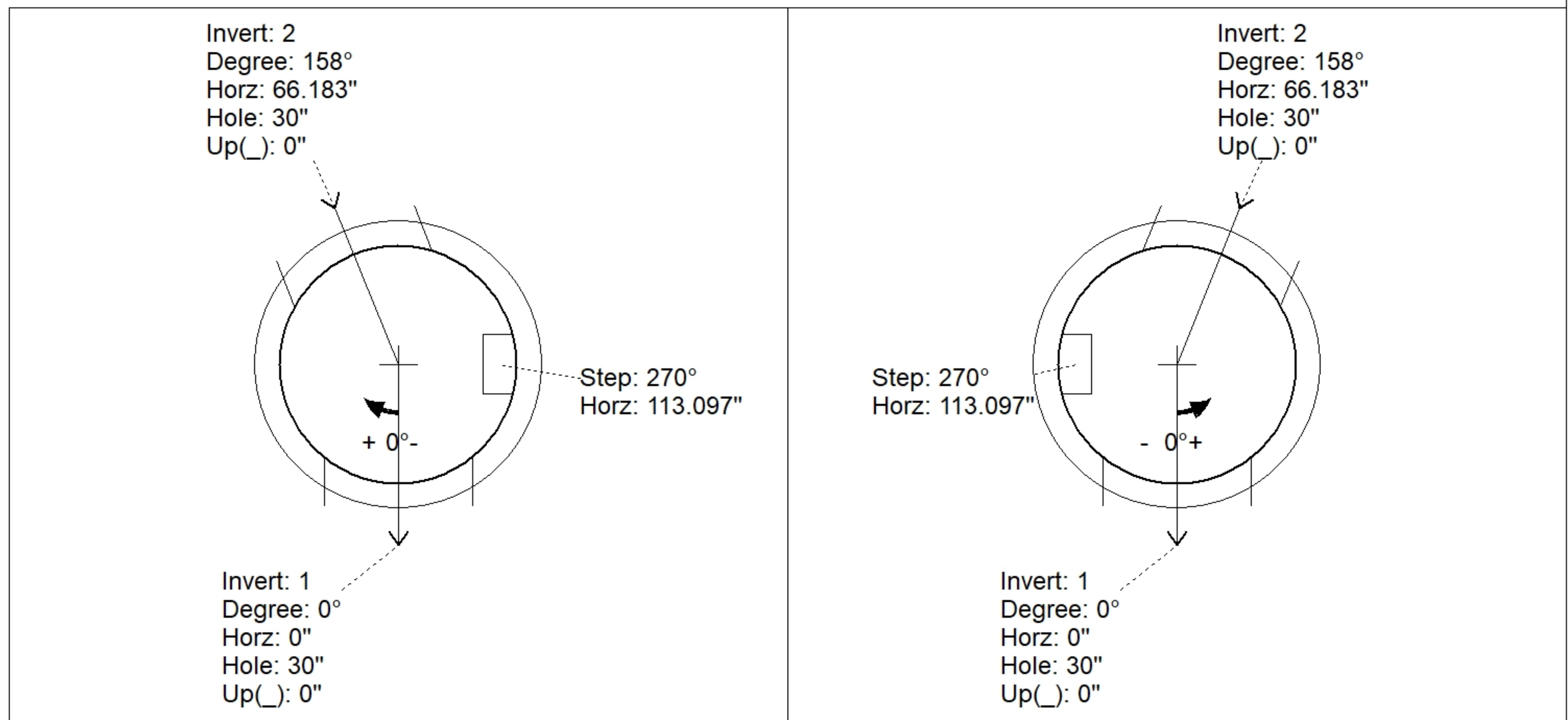
1. PER ASTM C478 SPECIFICATIONS.
2. CONCRETE = 4,000 PSI AT 28 DAYS.
3. HOE 525 F/G BY ICAST
4. REINFORCING PER ASTM A615 (GRADE 60).
 - TOP SLAB (As .62) #5 BARS AT 6" C.C.E.W..
 - RISER/WALLS (As .12)
 - FLOOR (As .31) #5 BARS AT 12" C.C.E.W.

Rim: 858.4' Rim to Invert: 3.63' Slack: 0.46" Sump: 1.9" Step Position: 270

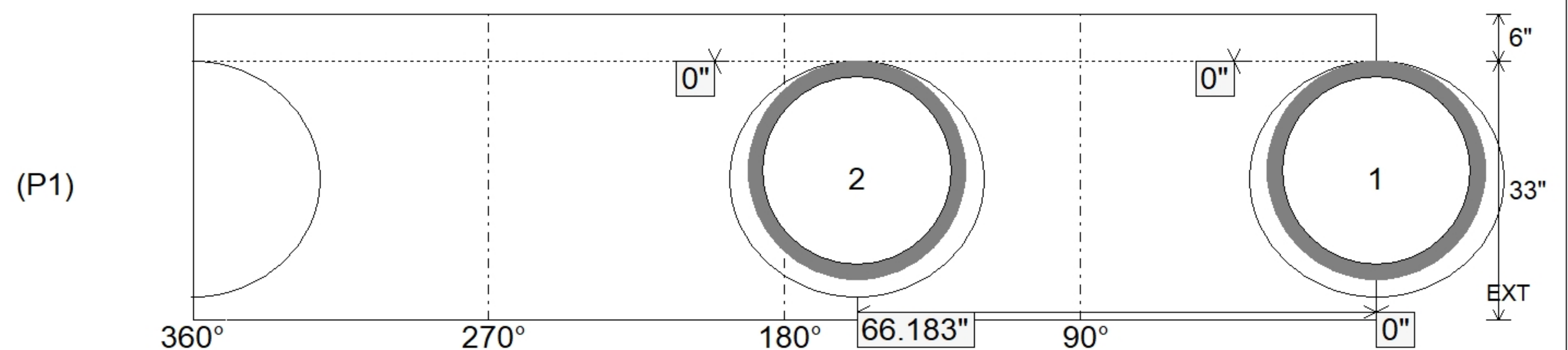
Position	Elev	Angle	Ext. (cw)	Pipe	Pipe OD	Connector	Hole	Horz Size	Up ()	Offset
Invert 1	854.77'	0°	0"	24" HDPE	27.8"	Hole 30	30"	32.406"	0"	0"
Invert 2	854.77'	158°	79.971"	24" HDPE	27.8"	Hole 30	30"	32.406", 3.775"	0"	0"
Invert 3										
Invert 4										
Invert 5										
Invert 6										
Invert 7										
Invert 8										

RIGHT-SIDE UP VIEW (int. dimensions)

UPSIDE-DOWN VIEW (int. dimensions)



INSIDE WALL DIMENSIONS



Coating (Int):
 Coating (Ext):

Seam Up: Flat
 Seam Dn: n/a

Wall Thickness: 5"
 Floor Height: 6"

Height (Int): 33"
 Height (Ext): 39"

Weight (Net): 2974 lb
 Volume (Net): 0.76cu.yd