

Job Name: 25-3000 - Wilkinson Lane PS
 Job Location: White House, TN
 Contractor: Cumberland Valley Constructors, Inc.

PC: A. Chambers
 TECH: J. Horsley - F
 Plant: 100



Structure ID: **WW1**

Spec: Sanitary
 Type: Wet Well w/ConBlock-CDA Red
 Size: 144"

Rim: 793.2'
 Invert: 781.5'
 Rim to Invert: 11.7'

Sump: 144"
 Floor (Top): 769.5'
 Floor Height: 18"

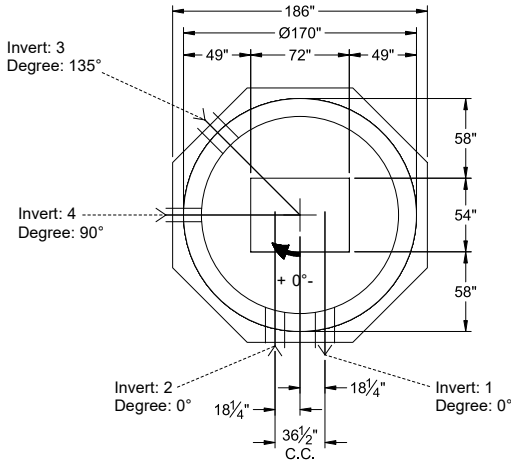
Floor (Bot): 768'
 Overall Height: 25.25'
 Slack: -0.6"

Structure Notes:

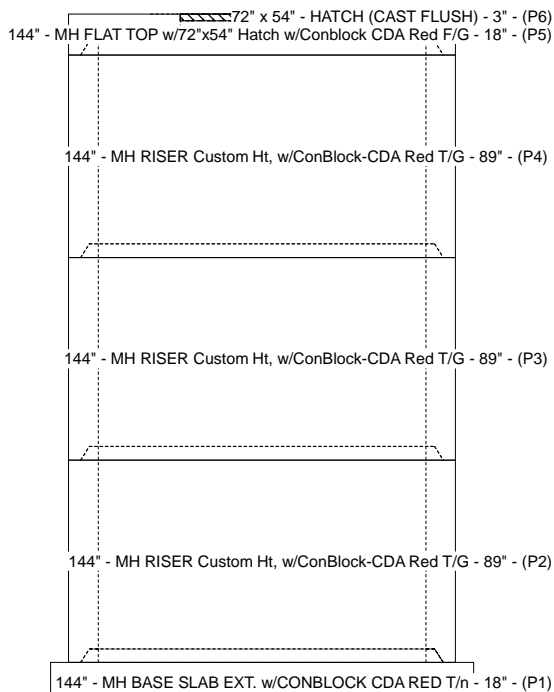
- PER ASTM C-478 SPECIFICATIONS
- CONCRETE: 5,000 PSI AT 28 DAYS
- REINFORCEMENT:
 - FLAT LID TOP MAT: #4 BAR @ 12" C.C. E.W. (GRADE 60)
 - FLAT LID BOTTOM MAT: #5 BAR @ 6" C.C. E.W. (GRADE 60)
 - RISERS: PER ASTM A615
 - BASE SLAB TONGUE: #5 BAR @ 6" C.C. E.W. (GRADE 60)
 - BASE SLAB: #6 BAR @ 6" C.C. E.W. (GRADE 60)
- HALLIDAY W2S 72" X 54" HATCH SUPPLIED BY ICAST - TO BE CAST INTO FLAT LID
- NO STEPS
- CONBLOCK CDA RED ADMIXTURE REQUIRED
- ANY REQUIRED COATINGS OR LINERS TO BE SUPPLIED BY OTHERS
- GARLOCK LINK-SEAL CONNECTORS SUPPLIED BY OTHERS

STRUCTURE SUMMARY:

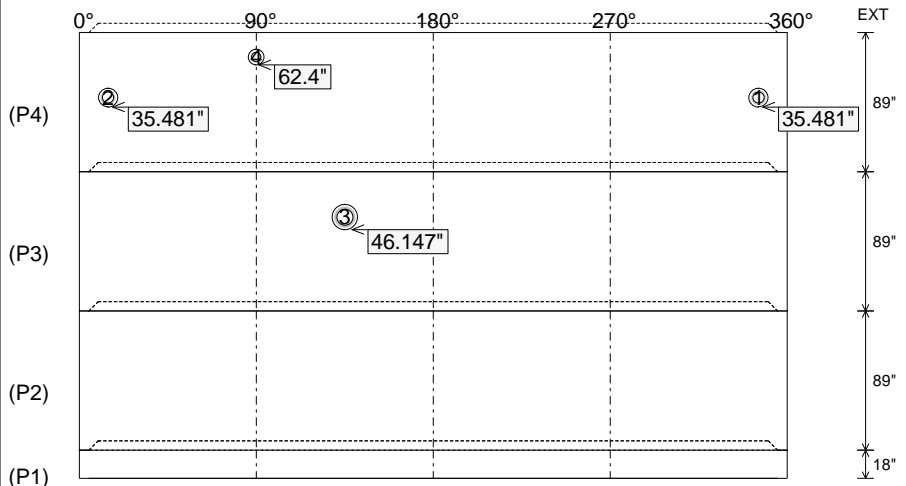
- P6) 72" x 54" - HATCH (CAST FLUSH) - 3" 100 lb
 - P5) 144" - MH FLAT TOP w/72"x54" Hatch w/Conblock CDA Red F/G - 18" 20910 lb
 - P4) 144" - MH RISER Custom Ht, w/ConBlock-CDA Red T/G - 89" 47546 lb
 - P3) 144" - MH RISER Custom Ht, w/ConBlock-CDA Red T/G - 89" 47666 lb
 - P2) 144" - MH RISER Custom Ht, w/ConBlock-CDA Red T/G - 89" 47886 lb
 - P1) 144" - MH BASE SLAB EXT. w/CONBLOCK CDA RED T/n - 18" 53193 lb
 - 3) JOINT WRAP - 12" WD x 144" MAC WRAP 0 lb
 - 1) HATCH (Alum.) - HALLIDAY W2S 72"x54" 188 lb
 - 1) ADMIXTURE CONBLOCK CDA RED 0 lb
 - 1) This Structure Includes a Cast-In Item - W2S 72"x54" Hatch 0 lb
 - 4) 144" - Conseal CS-231 1.00" (Double) 0 lb
 - 2) Hole - 12 0 lb
 - 1) Hole - 16 0 lb
 - 1) Hole - 10 0 lb
- Structure Total: 217489 lb



| Position | Elev | Angle | Pipe | Pipe OD | Hole | Connector | Up (L) | Ref |
|----------|--------|-------|---------------|---------|------|-----------|---------|-----|
| Rim | 793.2' | | | | | | | |
| Reducer | | | | | | | | |
| Invert 1 | 788' | 0° | 8" HDPE DR11 | 8.625" | 12" | Hole 12 | 35.481" | P4 |
| Invert 2 | 788' | 0° | 8" HDPE DR11 | 8.625" | 12" | Hole 12 | 35.481" | P4 |
| Invert 3 | 781.5' | 135° | 12" HDPE DR11 | 12.75" | 16" | Hole 16 | 46.147" | P3 |
| Invert 4 | 790.2' | 90° | 6" PVC SDR26 | 6.25" | 10" | Hole 10 | 62.4" | P4 |
| Invert 5 | | | | | | | | |
| Invert 6 | | | | | | | | |
| Invert 7 | | | | | | | | |
| Invert 8 | | | | | | | | |



Cast (Int. Dim.) - Interior Dimensions



Submittal Drawing
 1/13/2026 2:15:09 PM

SUBMITTAL
 APPROVED BY: