

Job Name: 25-3000 - Wilkinson Lane PS
Job Location: White House, TN
Contractor: Cumberland Valley Constructors, Inc.

PC: A. Chambers
 TECH: J. Horsley - F
 Plant: 100



Structure ID: **A1**
 Spec: Sanitary
 Type: SAN.MH
 Size: 96"

Rim: 792.4'
 Invert: 781.6'
 Rim to Invert: 10.8'

Sump: 19.2"
 Floor (Top): 780'
 Floor Height: 8"

Floor (Bot): 779.333'
 Overall Height: 12.917'
 Slack: 1.8"

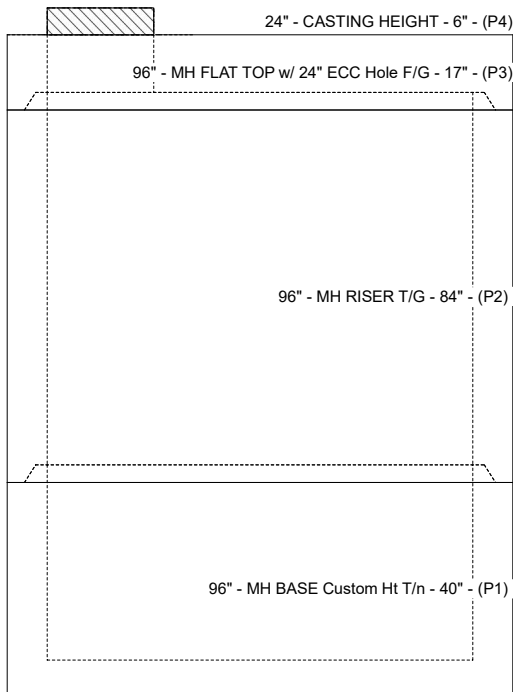
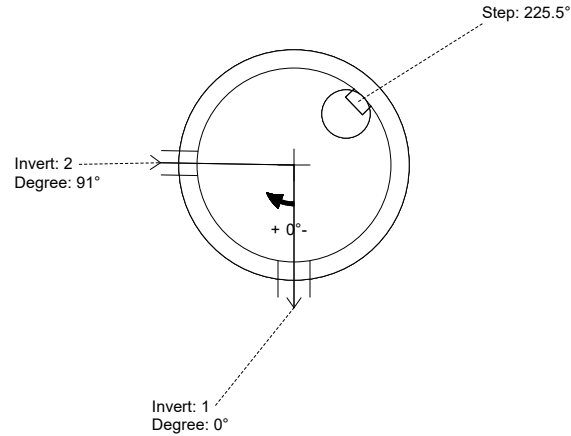
Structure Notes:

- PER ASTM C-478 SPECIFICATIONS
- CONCRETE: 4,000 PSI AT 28 DAYS
- REINFORCEMENT:
 - FLAT LID TOP MAT: #4 BAR @ 18" C.C. E.W. (GRADE 60)
 - FLAT LID BOTTOM MAT: #4 BAR @ 9" C.C. E.W. (GRADE 60)
 - BASE & RISER: PER ASTM A615
- CASTING BY ICAST (JBS 1155 FRAME & COVER "SANITARY")
- STEPS AT 225.5 DEGREES
- DROP BOWL & DOWN PIPE SUPPLIED BY OTHERS
- ANY REQUIRED COATINGS TO BE SUPPLIED BY OTHERS

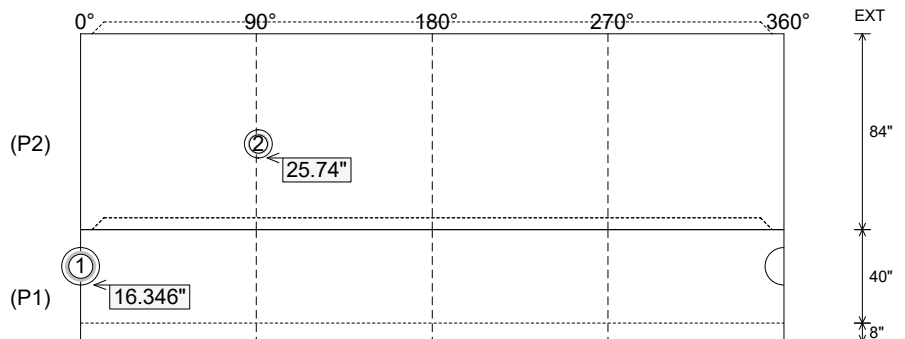
STRUCTURE SUMMARY:

- P4) 24" - CASTING HEIGHT - 6" 0 lb
 - P3) 96" - MH FLAT TOP w/ 24" ECC Hole F/G - 17" 10472 lb
 - P2) 96" - MH RISER T/G - 84" 20840 lb
 - P1) 96" - MH BASE Custom Ht T/n - 40" 16664 lb
 - 1) JOINT WRAP - 0.065"x6"x50' CONSEAL CS212 0 lb
 - 1) JOINT WRAP PRIMER - CONSEAL CS-75 (1 gal.) 0 lb
 - 1) SECONDARY POUR 0 lb
 - 1) CASTING - JBS 1155 F/C SANITARY 250 lb
 - 2) 96" - Conseal CS-102 1.00" (Double) 0 lb
 - 1) PSX - 16M DD 8 lb
 - 1) PSX - 12-08 DD 8 lb
 - 9) MH Step ML-10-TDS-NCR - 10" 0 lb
- Structure Total: 48243 lb

Position	Elev	Angle	Pipe	Pipe OD	Hole	Connector	Up (')	Ref
Rim	792.4'							
Reducer								
Invert 1	781.6'	0°	12" HDPE DR11	12.75"	16"	PSX 16M DD	16.346"	P1
Invert 2	786.07'	91°	8" PVC SDR21	8.625"	12"	PSX 12-08 DD	25.74"	P2
Invert 3								
Invert 4								
Invert 5								
Invert 6								
Invert 7								
Invert 8								



Cast (Int. Dim.) - Interior Dimensions



Submittal Drawing
 1/9/2026 2:41:26 PM

SUBMITTAL
 APPROVED BY: