

Job Name: 25-2991 BHS Addition & Renovation Ph 2
 Job Location: Bardstown, KY
 Contractor: Parker Excavating, LLC

Plant: 100

1/13/2026 4:16:06 PM

Tech: J. Horsley - A

PC: Erica Bradley



Structure ID: DI-9D

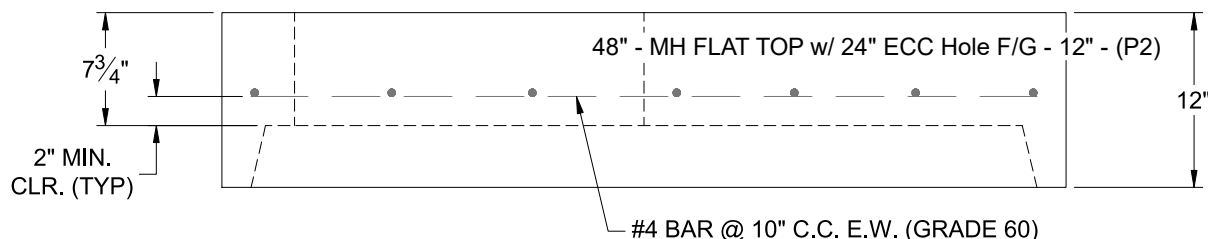
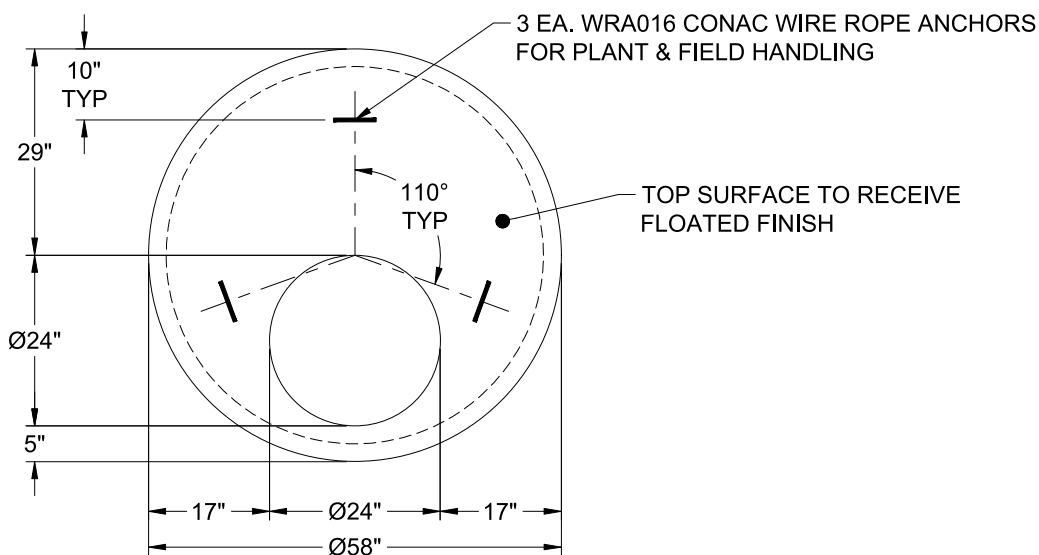
P2 MH048LD12ECC

MH FLAT TOP w/ 24" ECC Hole F/G

- P4) 24" - CASTING HEIGHT - 7"
- P3) 24" - GRADE RING F/F - 4"
- P2) 48" - MH FLAT TOP w/ 24" ECC Hole F/G - 12"
- P1) 48" - MH BASE T/n - 42"
- 1) CASTING - HOE MCB-350-R F/G
- 1) 48" - Conseal CS-102 1.00"
- 2) Hole - 20"
- 3) MH Step ML-10-TDS-NCR - 10"

| | |
|------------------|---------|
| | 0 lb |
| | 270 lb |
| | 1561 lb |
| | 3957 lb |
| | 288 lb |
| | 0 lb |
| | 0 lb |
| | 0 lb |
| Structure Total: | 6076 lb |

- Structure Notes:
1. PER ASTM C-478 SPECIFICATIONS
 2. CONCRETE: 4,000 PSI AT 28 DAYS
 3. REINFORCEMENT: #4 BAR @ 10" C.C. E.W. (GRADE 60) - 2" MIN. REBAR CLEARANCE (TYP)
 4. NO STORM INVERT
 5. STEPS AT 253 DEGREES
 6. HOE MCB-350R FRAME & RADIAL GRATE SUPPLIED BY ICAST
 7. LIFTERS: 3 EA. WRA016 CONAC WIRE ROPE ANCHORS FOR PLANT & FIELD HANDLING
 8. TOP SURFACE TO RECEIVE FLOATED FINISH



Coating (Int):
 Coating (Ext):

Seam Up: Flat
 Seam Dn: Groove

Wall Thickness: 5"

Height (Ext): 12"

Weight (Net): 1561 lb
 Volume (Net): 0.42cu.yd