

**Job Name: 25-2991 BHS Addition & Renovation Ph 2**  
**Job Location: Bardstown, KY**  
**Contractor: Parker Excavating, LLC**

PC: Erica Bradley  
 TECH: J. Horsley - A  
 Plant: 100



Structure ID: **8D**  
 Spec: Storm  
 Type: STM.MH  
 Size: 48"

Rim: 644.96'  
 Invert: 635'  
 Rim to Invert: 9.96'

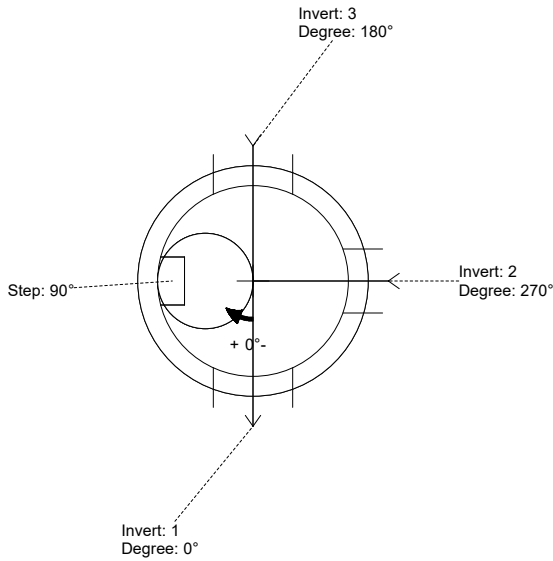
Sump: 1.3"  
 Floor (Top): 634.892'  
 Floor Height: 6"

Floor (Bot): 634.392'  
 Overall Height: 10.5'  
 Slack: 0.82"

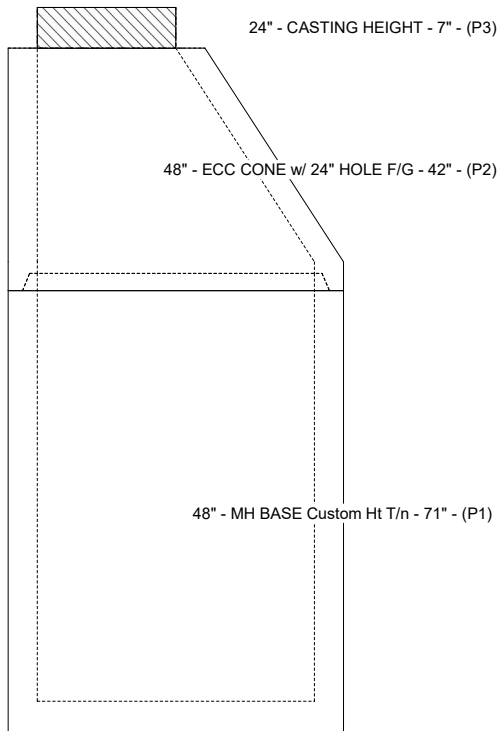
**Structure Notes:**  
 PLAN LABEL: MH-8D  
 1. PER ASTM C-478 SPECIFICATIONS  
 2. CONCRETE: 4,000 PSI AT 28 DAYS  
 3. REINFORCEMENT: PER ASTM A615  
 4. NO STORM INVERT  
 5. STEPS AT 90 DEGREES  
 6. HOE MC-315 FRAME & COVER "STORM" SUPPLIED BY ICAST

**STRUCTURE SUMMARY:**

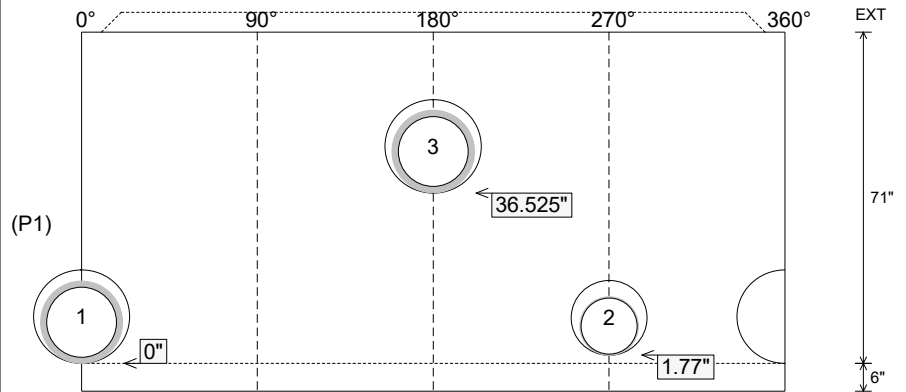
P3) 24" - CASTING HEIGHT - 7"	0 lb
P2) 48" - ECC CONE w/ 24" HOLE F/G - 42"	3200 lb
P1) 48" - MH BASE Custom Ht T/n - 71"	5934 lb
1) CASTING - HOE MC-315 F/C Storm	258 lb
1) 48" - Conseal CS-102 1.00"	0 lb
2) Hole - 20	0 lb
1) Hole - 16	0 lb
10) MH Step ML-10-TDS-NCR - 10"	0 lb
<b>Structure Total:</b>	<b>9392 lb</b>



Position	Elev	Angle	Pipe	Pipe OD	Hole	Connector	Up (")	Ref
Rim	644.96'							
Reducer								
Invert 1	635'	0°	15" HDPE	17.6"	20"	Hole 20	0"	P1
Invert 2	635.06'	270°	12" PVC SDR35	12.5"	16"	Hole 16	1.77"	P1
Invert 3	638.05'	180°	15" VCP	17.75"	20"	Hole 20	36.525"	P1
Invert 4								
Invert 5								
Invert 6								
Invert 7								
Invert 8								



**Cast (Int. Dim.) - Interior Dimensions**



Submittal Drawing  
 1/13/2026 12:21:43 PM

SUBMITTAL  
 APPROVED BY: