

Job Name: 25-2991 BHS Addition & Renovation Ph 2
Job Location: Bardstown, KY
Contractor: Parker Excavating, LLC

PC: Erica Bradley
 TECH: J. Horsley - A
 Plant: 100



Structure ID: **8B**
 Spec: Storm
 Type: STM.MH
 Size: 48"

Rim: 644.6'
 Invert: 637.49'
 Rim to Invert: 7.11'

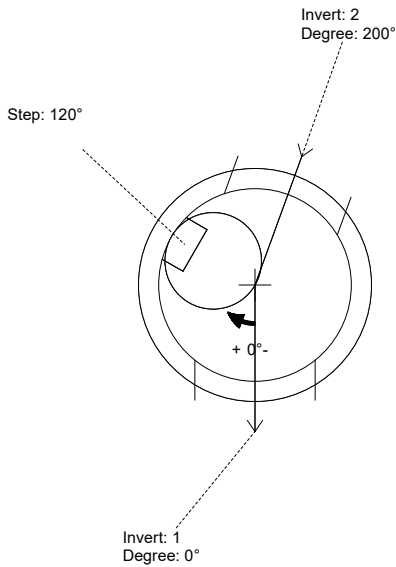
Sump: 1.9"
 Floor (Top): 637.332'
 Floor Height: 6"

Floor (Bot): 636.832'
 Overall Height: 7.583'
 Slack: 2.22"

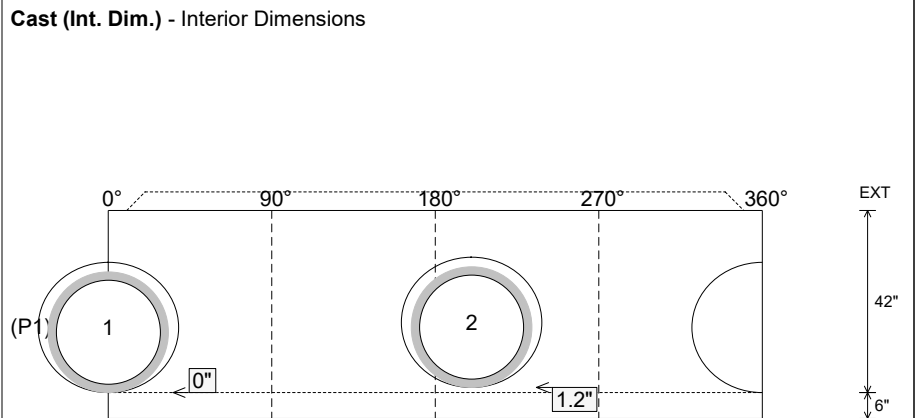
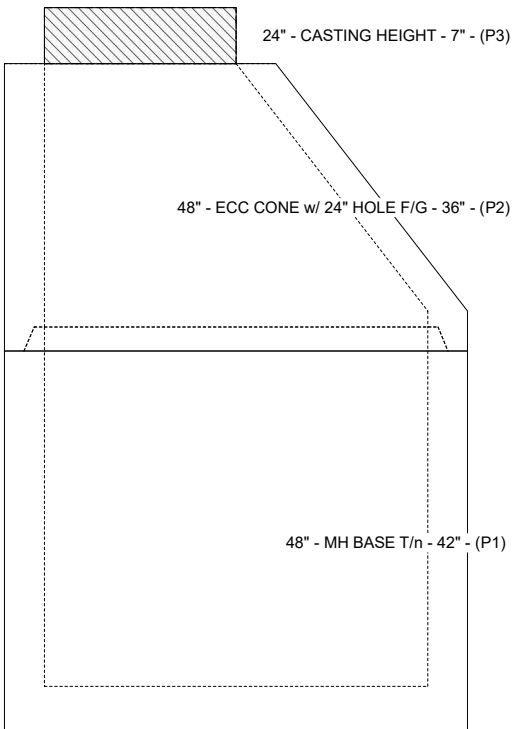
Structure Notes:
 PLAN LABEL: MH-8B
 1. PER ASTM C-478 SPECIFICATIONS
 2. CONCRETE: 4,000 PSI AT 28 DAYS
 3. REINFORCEMENT: PER ASTM A615
 4. NO STORM INVERT
 5. STEPS AT 120 DEGREES
 6. HOE MC-315 FRAME & COVER "STORM" SUPPLIED BY ICAST

STRUCTURE SUMMARY:

P3) 24" - CASTING HEIGHT - 7"	0 lb
P2) 48" - ECC CONE w/ 24" HOLE F/G - 36"	3000 lb
P1) 48" - MH BASE T/n - 42"	3632 lb
1) CASTING - HOE MC-315 F/C Storm	258 lb
1) 48" - Conseal CS-102 1.00"	0 lb
2) Hole - 30	0 lb
6) MH Step ML-10-TDS-NCR - 10"	0 lb
Structure Total:	6890 lb



Position	Elev	Angle	Pipe	Pipe OD	Hole	Connector	Up (L)	Ref
Rim	644.6'							
Reducer								
Invert 1	637.49'	0°	24" HDPE	27.8"	30"	Hole 30	0"	P1
Invert 2	637.59'	200°	24" HDPE	27.8"	30"	Hole 30	1.2"	P1
Invert 3								
Invert 4								
Invert 5								
Invert 6								
Invert 7								
Invert 8								



Submittal Drawing
 1/14/2026 9:21:10 AM

SUBMITTAL
 APPROVED BY: