

**Job Name: 25-2991 BHS Addition & Renovation Ph 2**  
**Job Location: Bardstown, KY**  
**Contractor: Parker Excavating, LLC**

PC: Erica Bradley  
 TECH: J. Horsley - A  
 Plant: 100



Structure ID: 1B  
 Spec: Storm  
 Type: STM.MH  
 Size: 48"

Rim: 647.6'  
 Invert: 642.1'  
 Rim to Invert: 5.5'

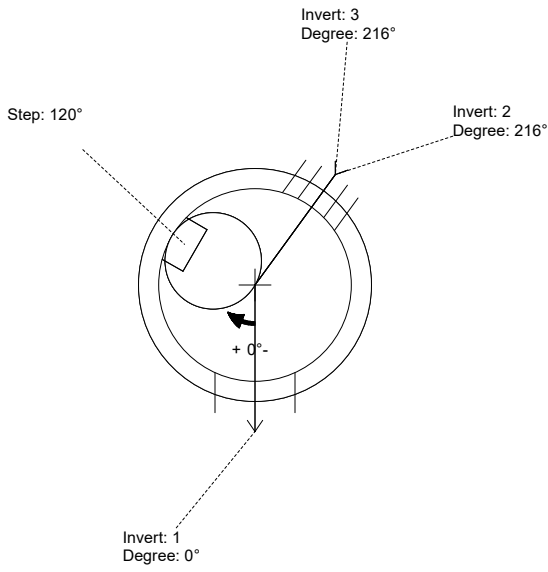
Sump: 1.3"  
 Floor (Top): 641.992'  
 Floor Height: 6"

Floor (Bot): 641.492'  
 Overall Height: 6.083'  
 Slack: 0.3"

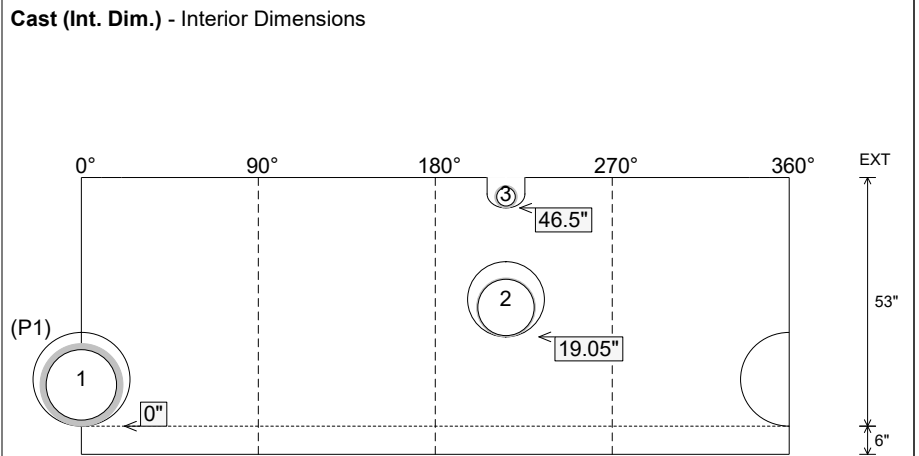
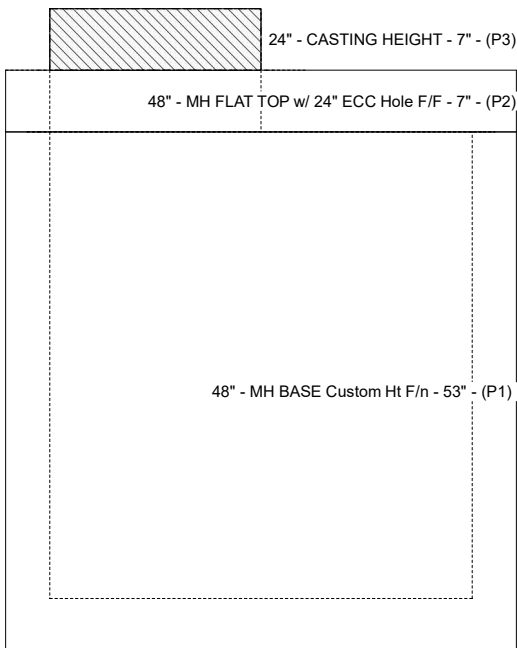
**Structure Notes:**  
 PLAN LABEL: MH-1B  
 1. PER ASTM C-478 SPECIFICATIONS  
 2. CONCRETE: 4,000 PSI AT 28 DAYS  
 3. REINFORCEMENT:  
 - FLAT LID: #4 BAR @ 10" C.C. E.W. (GRADE 60)  
 - BASE: PER ASTM A615  
 4. NO STORM INVERT  
 5. STEPS AT 120 DEGREES  
 6. HOE MC-315 FRAME & COVER "STORM" SUPPLIED BY ICAST

**STRUCTURE SUMMARY:**

P3) 24" - CASTING HEIGHT - 7"	0 lb
P2) 48" - MH FLAT TOP w/ 24" ECC Hole F/F - 7"	1286 lb
P1) 48" - MH BASE Custom Ht F/n - 53"	4792 lb
1) CASTING - HOE MC-315 F/C Storm	258 lb
1) 48" - Conseal CS-102 1.00"	0 lb
1) Hole - 20	0 lb
1) Hole - 16	0 lb
1) DOGHOUSE INVRTD - 8"x6"	0 lb
4) MH Step ML-10-TDS-NCR - 10"	0 lb
	-----
<b>Structure Total:</b>	<b>6336 lb</b>



Position	Elev	Angle	Pipe	Pipe OD	Hole	Connector	Up (")	Ref
Rim	647.6'							
Reducer								
Invert 1	642.1'	0°	15" HDPE	17.6"	20"	Hole 20	0"	P1
Invert 2	643.6'	216°	12" PVC SDR35	12.5"	16"	Hole 16	19.05"	P1
Invert 3	645.9'	216°	4" HDPE	4.8"	8" x 6"	DOGHOUSE INVRTD 8"x6"	46.5"	P1
Invert 4								
Invert 5								
Invert 6								
Invert 7								
Invert 8								



Submittal Drawing  
 1/14/2026 9:21:14 AM

SUBMITTAL  
 APPROVED BY: