

Job Name: 25-2991 BHS Addition & Renovation Ph 2
 Job Location: Bardstown, KY
 Contractor: Parker Excavating, LLC

Plant: 100
 1/14/2026 9:49:51 AM

Tech: J. Horsley - A
 PC: Erica Bradley



Structure ID: 1B

P1 MH048BAVF

MH BASE Custom Ht F/n

- P3) 24" - CASTING HEIGHT - 7"
- P2) 48" - MH FLAT TOP w/ 24" ECC Hole F/F - 7"
- P1) 48" - MH BASE Custom Ht F/n - 53"
- 1) CASTING - HOE MC-315 F/C Storm
- 1) 48" - Conseal CS-102 1.00"
- 1) Hole - 20
- 1) Hole - 16
- 1) DOGHOUSE INVRTD - 8"x6"
- 4) MH Step ML-10-TDS-NCR - 10"

0 lb
 1286 lb
 4792 lb
 258 lb
 0 lb
 0 lb
 0 lb
 0 lb
 0 lb
 0 lb
 Structure Total: 6336 lb

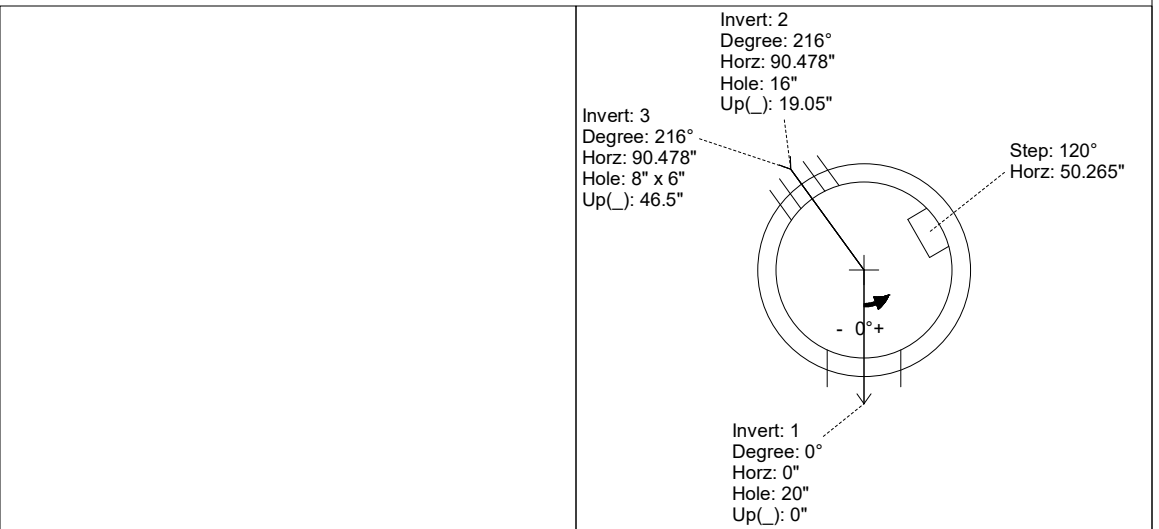
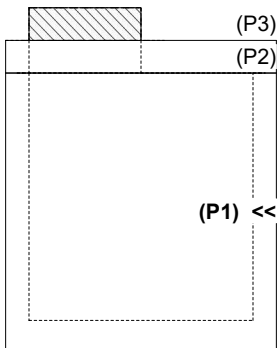
- Structure Notes:**
1. PER ASTM C-478 SPECIFICATIONS
 2. CONCRETE: 4,000 PSI AT 28 DAYS
 3. REINFORCEMENT: PER ASTM A615
 4. NO STORM INVERT
 5. STEPS AT 120 DEGREES
 6. HOE MC-315 FRAME & COVER "STORM" SUPPLIED BY ICAST

Rim: 647.6' Rim to Invert: 5.5' Slack: 0.3' Sump: 1.3' Step Position: 120°

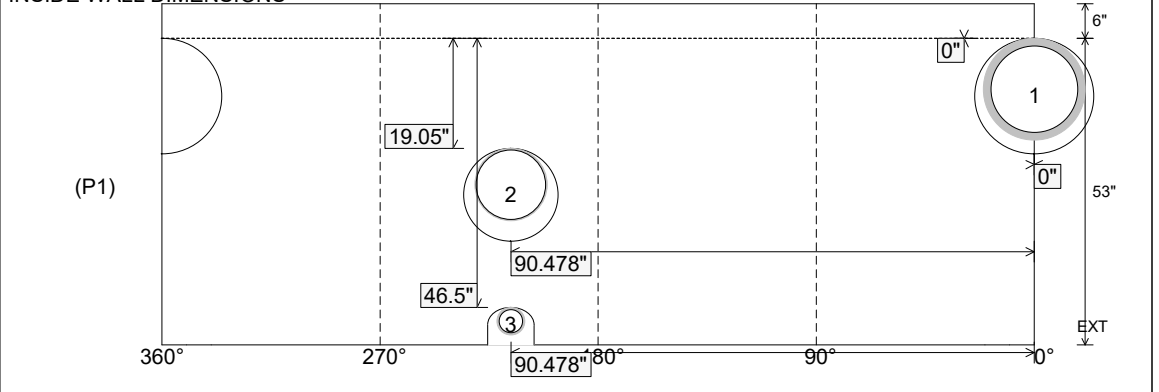
Position	Elev	Angle	Ext. (cw)	Pipe	Pipe OD	Connector	Hole	Horz Size	Up ()	Offset
Invert 1	642.1'	0°	0"	15" HDPE	17.6"	Hole 20	20"	20.629"	0"	0"
Invert 2	643.6'	216°	109.327"	12" PVC SDR35	12.5"	Hole 16	16"	16.312"	19.05"	0"
Invert 3	645.9'	216°	109.327"	4" HDPE	4.8"	DOGHOUSE INVRTD 8"x6"	8" x 6"	8.038"	46.5"	0"
Invert 4										
Invert 5										
Invert 6										
Invert 7										
Invert 8										

RIGHT-SIDE UP VIEW (int. dimensions)

UPSIDE-DOWN VIEW (int. dimensions)



INSIDE WALL DIMENSIONS



Coating (Int): Coating (Ext):	Seam Up: Flat Seam Dn: n/a	Wall Thickness: 5" Floor Height: 6"	Height (Int): 53" Height (Ext): 59"	Weight (Net): 4792 lb Volume (Net): 1.22cu.yd
----------------------------------	-------------------------------	--	--	--