

Job Name: 25-2991 BHS Addition & Renovation Ph 2  
 Job Location: Bardstown, KY  
 Contractor: Parker Excavating, LLC

Plant: 100  
 1/14/2026 9:49:49 AM

Tech: J. Horsley - A  
 PC: Erica Bradley



**Structure ID: 10B**

**P1 MH048BA36**

**MH BASE T/n**

- P3) 24" - CASTING HEIGHT - 7"
- P2) 48" - ECC CONE w/ 24" HOLE F/G - 36"
- P1) 48" - MH BASE T/n - 36"
- 1) CASTING - HOE MC-315 F/C Storm
- 1) 48" - Conseal CS-102 1.00"
- 2) Hole - 30
- 6) MH Step ML-10-TDS-NCR - 10"

0 lb  
 3000 lb  
 3213 lb  
 258 lb  
 0 lb  
 0 lb  
 0 lb  
 -----  
 Structure Total: 6471 lb

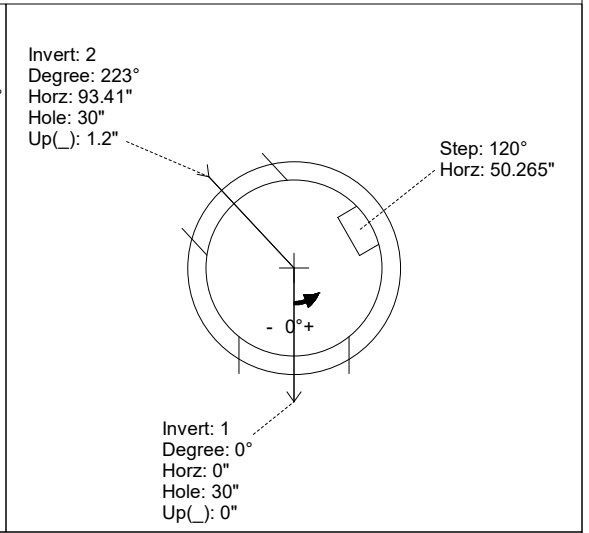
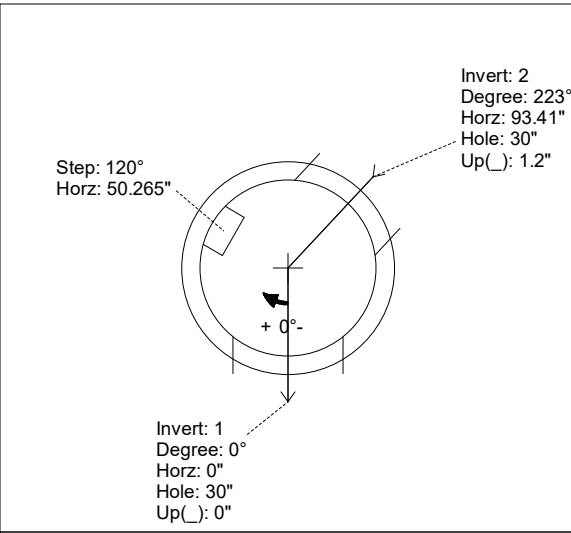
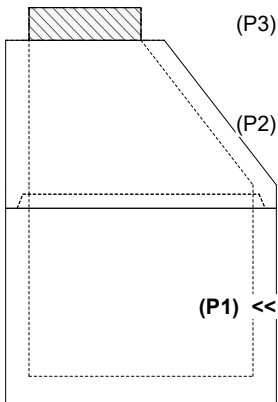
- Structure Notes:**
1. PER ASTM C-478 SPECIFICATIONS
  2. CONCRETE: 4,000 PSI AT 28 DAYS
  3. REINFORCEMENT: PER ASTM A615
  4. NO STORM INVERT
  5. STEPS AT 120 DEGREES
  6. HOE MC-315 FRAME & COVER "STORM" SUPPLIED BY ICAST

Rim: 639.5' Rim to Invert: 6.5' Slack: 0.9" Sump: 1.9" Step Position: 120°

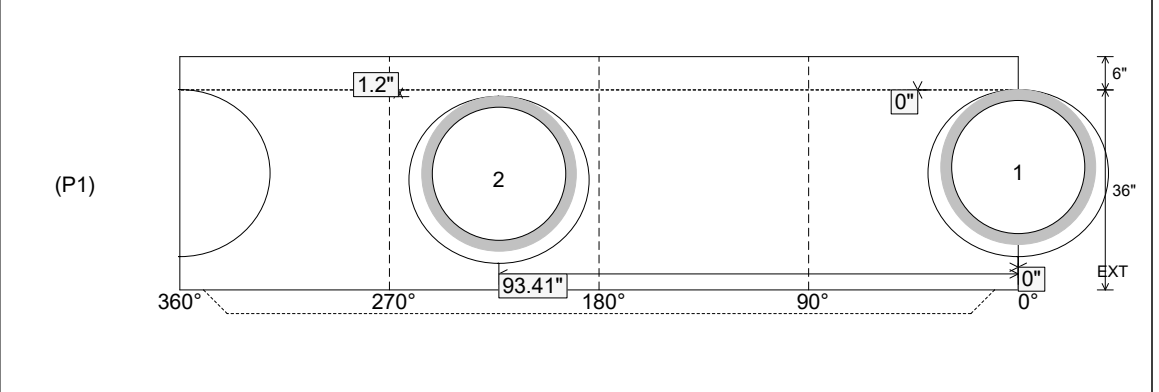
Position	Elev	Angle	Ext. (cw)	Pipe	Pipe OD	Connector	Hole	Horz Size	Up (↓)	Offset
Invert 1	633'	0°	0"	24" HDPE	27.8"	Hole 30	30"	32.406"	0"	0"
Invert 2	633.1'	223°	112.87"	24" HDPE	27.8"	Hole 30	30"	32.406"	1.2"	0"
Invert 3										
Invert 4										
Invert 5										
Invert 6										
Invert 7										
Invert 8										

RIGHT-SIDE UP VIEW (int. dimensions)

UPSIDE-DOWN VIEW (int. dimensions)



INSIDE WALL DIMENSIONS



Coating (Int): Coating (Ext):	Seam Up: Tongue Seam Dn: n/a	Wall Thickness: 5" Floor Height: 6"	Height (Int): 36" Height (Ext): 42"	Weight (Net): 3213 lb Volume (Net): 0.82cu.yd
----------------------------------	---------------------------------	--	--	--