

Job Name: 25-2977 KYTC Hopkins CO Call 105 (255382)

Job Location:

Contractor: Scotty's Contracting & Stone, LLC

PC: Celina Goff

TECH: J. Coppage

Plant: Beaver Dam



Structure ID: 1978L

Spec: KYTC

Type: DBI TYPE 1

Size: 36" x 36"

Rim: 378.8'

Invert: 376'

Rim to Invert: 2.8'

Sump: 0"

Floor (Top): 376'

Floor Height: 8"

Floor (Bot): 375.333'

Overall Height: 3.333'

Slack: 1.6"

Structure Notes:

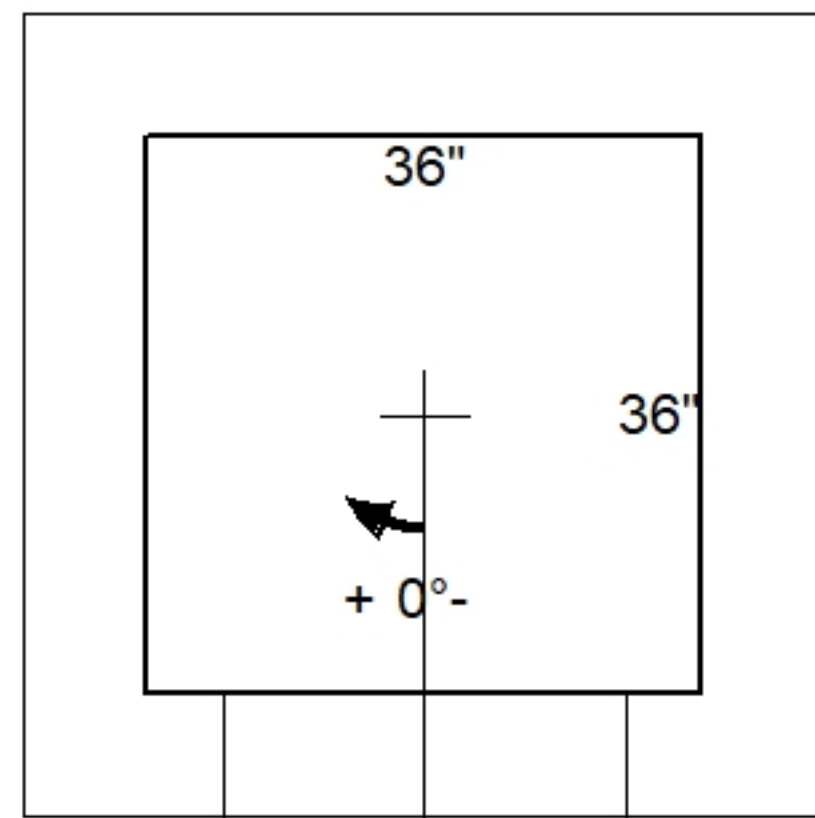
KYTC STATE PROJECT

1. JR HOE KY-316 PROVIDED BY ICAST.
2. KYTC DBI TYPE 1 / ASTM C913 SPECIFICATIONS.
3. CONCRETE = 4,000 PSI AT 28 DAYS.
4. NO STEPS.
5. REINFORCING PER ASTM A615 (GRADE 60).
- WALLS (As .31) #5 BARS AT 12" C.C.E.W.
- FLOOR (As .31) #5 BARS AT 12" C.C.E.W.
6. STUB #5 BARS 20" OUT TOP OF WALLS (SPA@12"C/C)

STRUCTURE SUMMARY:

P2) 36" x 36" - P.I.P. - BY OTHERS - 8"	0 lb
P1) 36" x 36" - BOX BASE 8inW, 8inF - 24"	4211 lb
1) 36" x 36" - Conseal CS-102 1.00"	0 lb
1) DOGHOUSE INVRTD - 26"x26"	0 lb

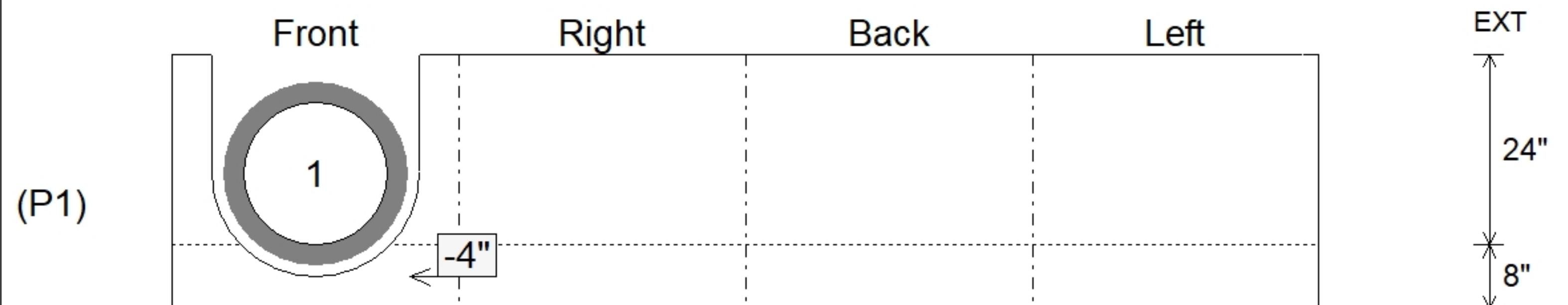
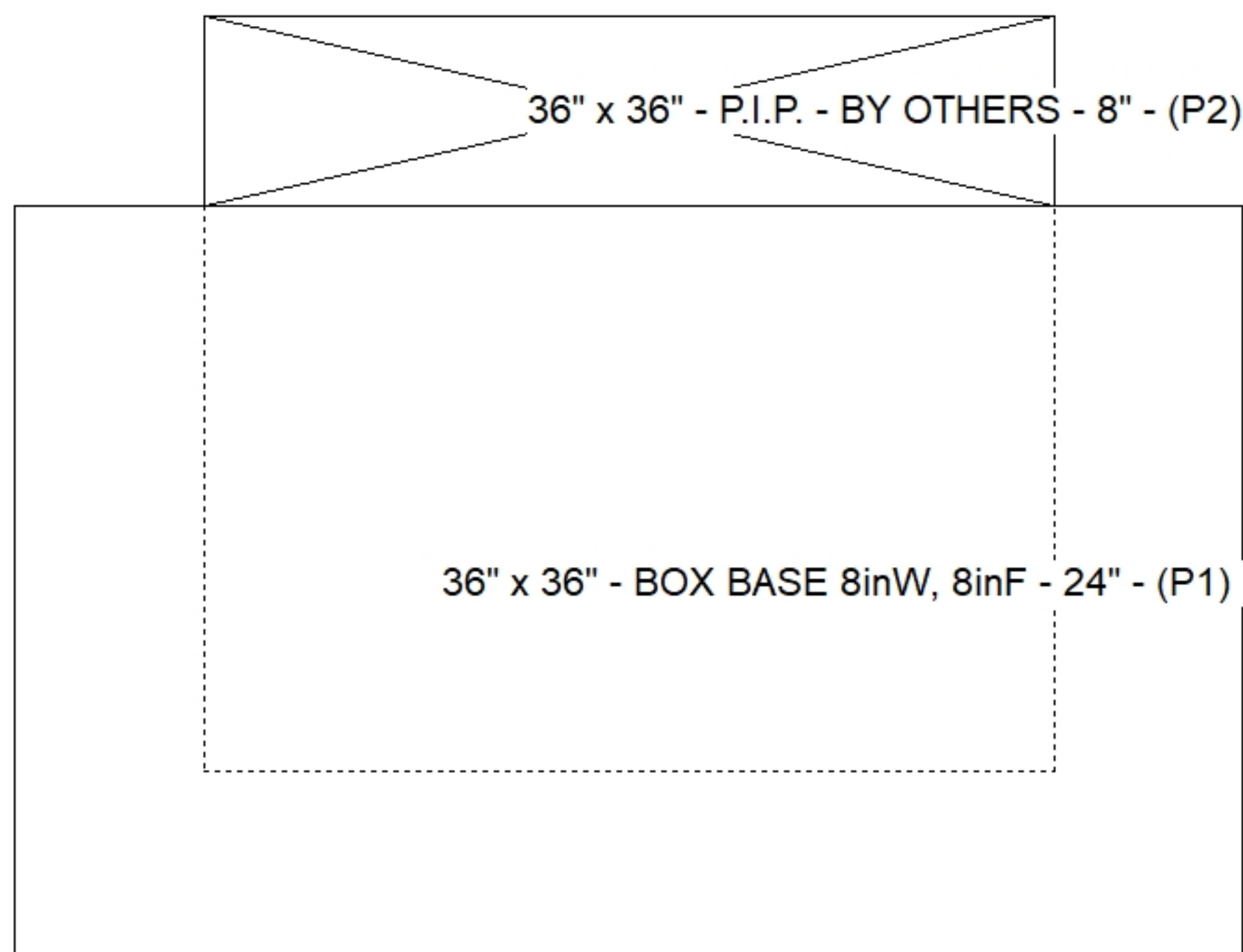
Structure Total:	4211 lb



Invert: 1
Degree: 0°

Position	Elev	Angle	Pipe	Pipe OD	Hole	Connector	Up ()	Ref
Rim	378.8'							
Reducer								
Invert 1	376'	0°	18" RCP B WALL	23"	26" x 26"	DOGHOUSE INVRTD 26"x26"	-4"	P1
Invert 2								
Invert 3								
Invert 4								
Invert 5								
Invert 6								
Invert 7								
Invert 8								

Default - Interior Dimensions



Submittal Drawing
1/13/2026 1:32:18 PM

SUBMITTAL
APPROVED BY: