



Structure ID: 83

P1 BX1527-08BAVF

BOX BASE 8inW, 8inF, Variable Ht F/n

- P2) 15" x 27" - P.I.P. - BY OTHERS - 8"
- P1) 15" x 27" - BOX BASE 8inW, 8inF, Variable Ht F/n - 20"
- 1) SECONDARY POUR
- 1) 15" x 27" - Conseal CS-102 1.00"
- 1) Hole - 18
- 2) Hole - 4

0 lb
 2267 lb
 0 lb
 0 lb
 0 lb
 0 lb
 0 lb
 Structure Total: 2267 lb

- Structure Notes:**
 KYTC STATE PROJECT
1. PER KYTC DBI TYPE 13G / ASTM C-913 SPECS
 2. CONCRETE: 4,000 PSI AT 28 DAYS
 3. REINFORCEMENT: #5 BAR @ 12" C.C. E.W. (GRADE 60) - 2" MIN. REBAR CLEARANCE (TYP)
 4. NO STORM INVERT
 5. NO STEPS
 6. JBS 3413 FRAME & GRATE SUPPLIED BY OTHERS
 7. WET STICK 10" X 14" #5 L-BARS SPACED @ 12" C.C. (GRADE 60) OUT OF FLOOR FOR WALL POUR TIE-IN (SEE L-BAR DETAIL)

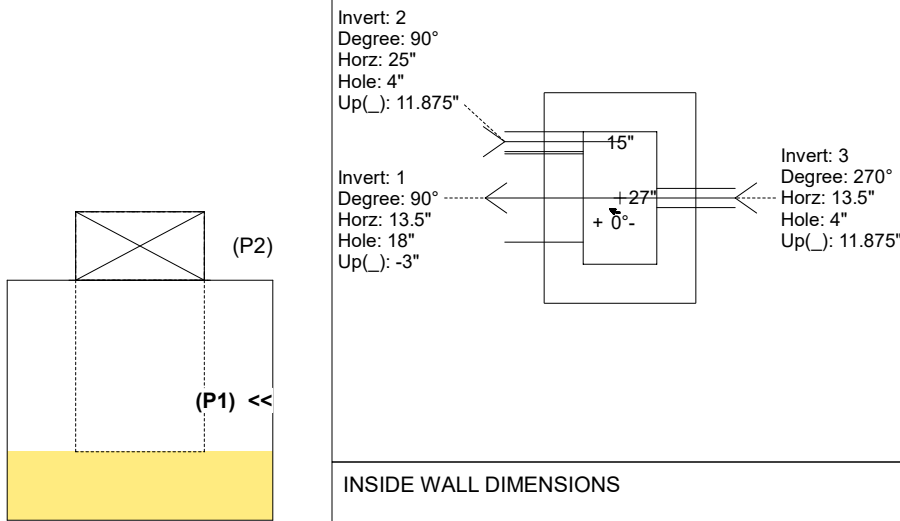
FIRST POUR (FLOOR): 895 LBS
SECOND POUR (WALLS): 1,372 LBS

Rim: 551.05' Rim to Invert: 2.33' Slack: -0.04" Sump: 0" Step Position:

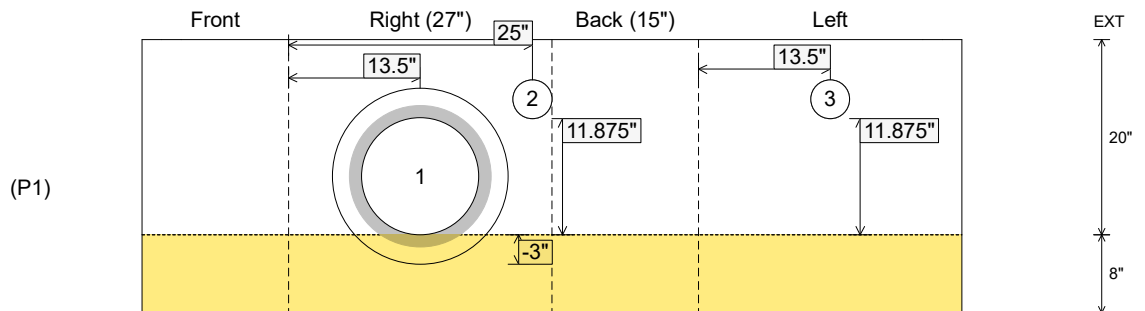
| Position | Elev | Angle | Ext. (cw) | Pipe | Pipe OD | Connector | Hole | Horz Size | Up () | Offset |
|----------|---------|-------|-----------|----------|---------|-----------|------|-----------|---------|--------|
| Invert 1 | 548.72' | 90° | 21.5" | 12" HDPE | 14.5" | Hole 18 | 18" | 18" | -3" | 0" |
| Invert 2 | 549.71' | 90° | 33" | 4" Hole | 4" | Hole 4 | 4" | 4" | 11.875" | 11.5" |
| Invert 3 | 549.71' | 270° | 21.5" | 4" Hole | 4" | Hole 4 | 4" | 4" | 11.875" | 0" |
| Invert 4 | | | | | | | | | | |
| Invert 5 | | | | | | | | | | |
| Invert 6 | | | | | | | | | | |
| Invert 7 | | | | | | | | | | |
| Invert 8 | | | | | | | | | | |

RIGHT-SIDE UP VIEW (int. dimensions)

UPSIDE-DOWN VIEW (int. dimensions)



INSIDE WALL DIMENSIONS



| | | | | |
|----------------------------------|-------------------------------|--|--|--|
| Coating (Int): Coating (Ext): | Seam Up: Flat Seam Dn: n/a | Wall Thickness: 8" Floor Height: 8" | Height (Int): 20" Height (Ext): 28" | Weight (Net): 2267 lb Volume (Net): 0.58cu.yd |
|----------------------------------|-------------------------------|--|--|--|



Structure ID: 83

P1 BX1527-08BAVF

BOX BASE 8inW, 8inF, Variable Ht F/n

- P2) 15" x 27" - P.I.P. - BY OTHERS - 8"
- P1) 15" x 27" - BOX BASE 8inW, 8inF, Variable Ht F/n - 20"
- 1) SECONDARY POUR
- 1) 15" x 27" - Conseal CS-102 1.00"
- 1) Hole - 18
- 2) Hole - 4

0 lb
 2267 lb
 0 lb
 0 lb
 0 lb
 0 lb
 0 lb
 Structure Total: 2267 lb

- Structure Notes:
****KYTC STATE PROJECT****
1. PER KYTC DBI TYPE 13G / ASTM C-913 SPECS
 2. CONCRETE: 4,000 PSI AT 28 DAYS
 3. REINFORCEMENT: #5 BAR @ 12" C.C. E.W. (GRADE 60) - 2" MIN. REBAR CLEARANCE (TYP)
 4. NO STORM INVERT
 5. NO STEPS
 6. JBS 3413 FRAME & GRATE SUPPLIED BY OTHERS
 7. STUB #5 BARS SPACED @ 12" C.C. (GRADE 60) 12" OUT TOP OF WALLS FOR FIELD POUR TIE-IN
 8. LIFTERS: 2 EA. 5CA14 CONAC A-ANCHORS FOR PLANT & FIELD HANDLING - INSTALLED IN 0° & 180° WALLS, MIN. 8" FROM TOP OF WALLS

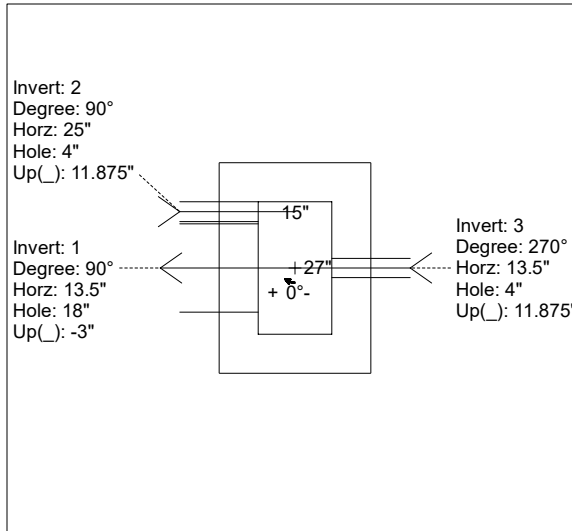
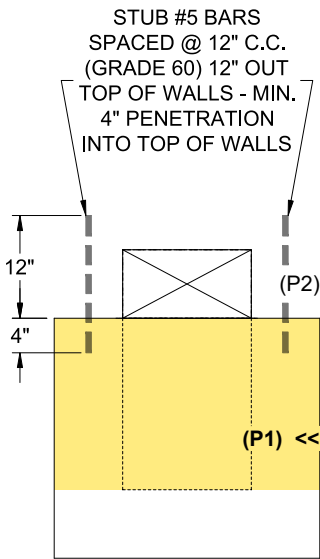
FIRST POUR (FLOOR): 895 LBS
SECOND POUR (WALLS): 1,372 LBS

Rim: 551.05' Rim to Invert: 2.33' Slack: -0.04" Sump: 0" Step Position:

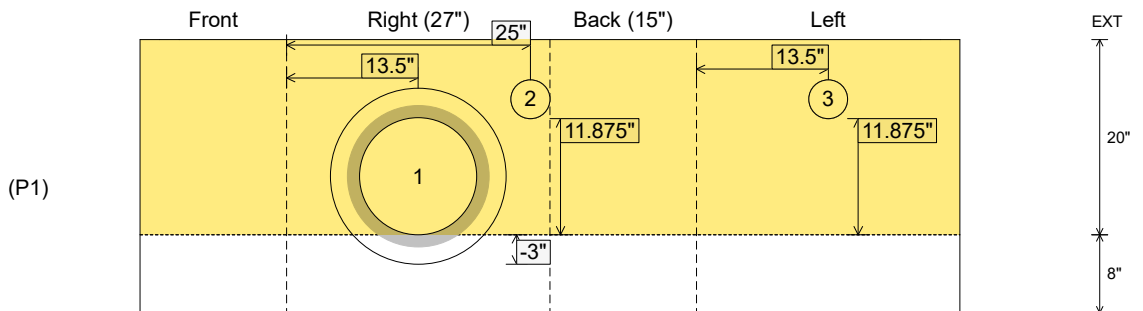
| Position | Elev | Angle | Ext. (cw) | Pipe | Pipe OD | Connector | Hole | Horz Size | Up () | Offset |
|----------|---------|-------|-----------|----------|---------|-----------|------|-----------|---------|--------|
| Invert 1 | 548.72' | 90° | 21.5" | 12" HDPE | 14.5" | Hole 18 | 18" | 18" | -3" | 0" |
| Invert 2 | 549.71' | 90° | 33" | 4" Hole | 4" | Hole 4 | 4" | 4" | 11.875" | 11.5" |
| Invert 3 | 549.71' | 270° | 21.5" | 4" Hole | 4" | Hole 4 | 4" | 4" | 11.875" | 0" |
| Invert 4 | | | | | | | | | | |
| Invert 5 | | | | | | | | | | |
| Invert 6 | | | | | | | | | | |
| Invert 7 | | | | | | | | | | |
| Invert 8 | | | | | | | | | | |

RIGHT-SIDE UP VIEW (int. dimensions)

UPSIDE-DOWN VIEW (int. dimensions)



INSIDE WALL DIMENSIONS



| | | | | |
|----------------------------------|-------------------------------|--|--|--|
| Coating (Int): Coating (Ext): | Seam Up: Flat Seam Dn: n/a | Wall Thickness: 8" Floor Height: 8" | Height (Int): 20" Height (Ext): 28" | Weight (Net): 2267 lb Volume (Net): 0.58cu.yd |
|----------------------------------|-------------------------------|--|--|--|