

**Job Name: 25-2943 Shelby Green Ph.2 Sec.3**  
**Job Location: Junction City, KY**  
**Contractor: H&S,LLC**

PC: Celina Goff  
 TECH: J. Horsley - A  
 Plant: 100



Structure ID: **STMH-A2**

Spec: Storm  
 Type: STM.MH (Recessed pipe)  
 Size: 48"

Rim: 999.2'  
 Invert: 996.5'  
 Rim to Invert: 2.7'

Sump: 0"  
 Floor (Top): 996.5'  
 Floor Height: 6"

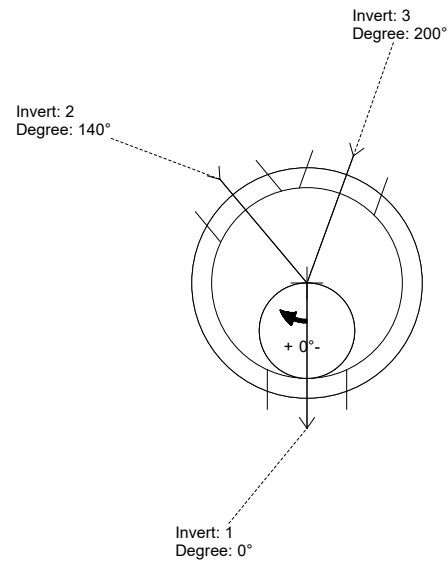
Floor (Bot): 996'  
 Overall Height: 3.167'  
 Slack: 0.4"

**Structure Notes:**

- PER ASTM C-478 SPECIFICATIONS
- CONCRETE: 4,000 PSI AT 28 DAYS
- REINFORCEMENT:
  - FLAT LID: #4 BAR @ 10" C.C. E.W. (GRADE 60)
  - BASE: PER ASTM A615
- NO STEPS
- HOE KY-206 FRAME & COVER SUPPLIED BY ICAST

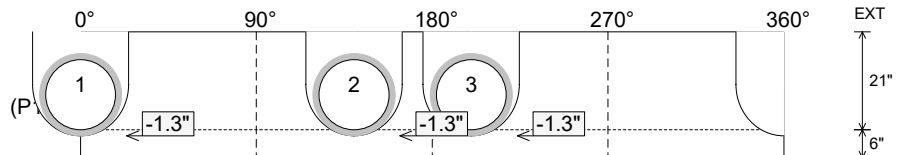
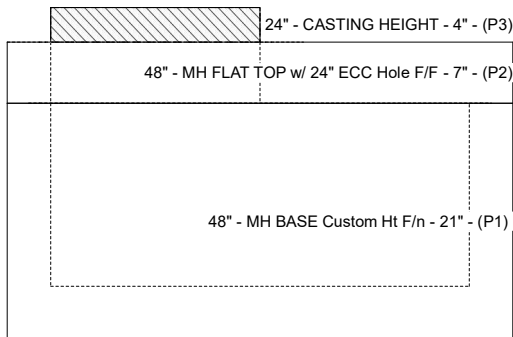
**STRUCTURE SUMMARY:**

- P3) 24" - CASTING HEIGHT - 4" 0 lb
- P2) 48" - MH FLAT TOP w/ 24" ECC Hole F/F - 7" 1286 lb
- P1) 48" - MH BASE Custom Ht F/n - 21" 2282 lb
- 1) CASTING - HOE KY-206 F/C (KY TY1) 206 lb
- 1) 48" - Conseal CS-102 1.00" 0 lb
- 3) DOGHOUSE INVRTD - 20"x22" 0 lb
- Structure Total: 3774 lb**



Position	Elev	Angle	Pipe	Pipe OD	Hole	Connector	Up ( )	Ref
Rim	999.2'							
Reducer								
Invert 1	996.5'	0°	15" HDPE	17.6"	20" x 22"	DOGHOUSE INVRTD 20"x22"	-1.3"	P1
Invert 2	996.5'	140°	15" HDPE	17.6"	20" x 22"	DOGHOUSE INVRTD 20"x22"	-1.3"	P1
Invert 3	996.5'	200°	15" HDPE	17.6"	20" x 22"	DOGHOUSE INVRTD 20"x22"	-1.3"	P1
Invert 4								
Invert 5								
Invert 6								
Invert 7								
Invert 8								

**Cast (Int. Dim.) - Interior Dimensions**



Submittal Drawing  
 12/11/2025 12:34:15 PM

SUBMITTAL  
 APPROVED BY: