

Job Name: 25-2943 Shelby Green Ph.2 Sec.3
 Job Location: Junction City, KY
 Contractor: H&S,LLC

Plant: 100

Tech: J. Horsley - A

12/11/2025 1:20:04 PM

PC: Celina Goff



Structure ID: STMH-A2

P1 MH048BAVF

MH BASE Custom Ht F/n

- P3) 24" - CASTING HEIGHT - 4"
- P2) 48" - MH FLAT TOP w/ 24" ECC Hole F/F - 7"
- P1) 48" - MH BASE Custom Ht F/n - 21"
- 1) CASTING - HOE KY-206 F/C (KY TY1)
- 1) 48" - Conseal CS-102 1.00"
- 3) DOGHOUSE INVRTD - 20"x22"

0 lb
 1286 lb
 2282 lb
 206 lb
 0 lb
 0 lb

 Structure Total: 3774 lb

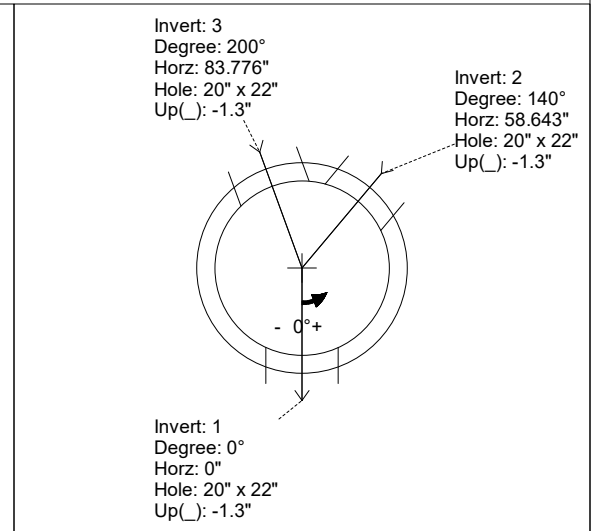
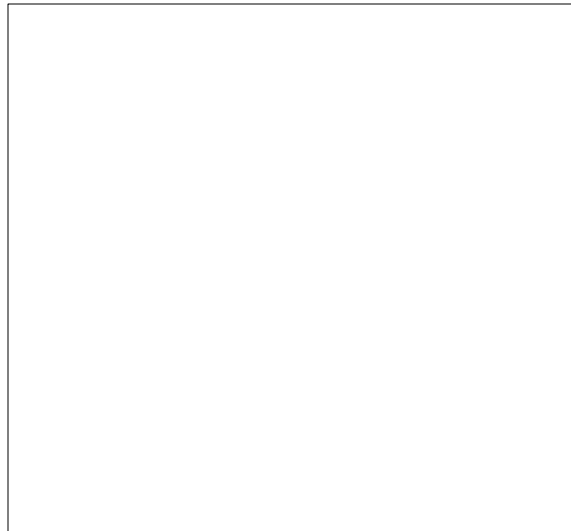
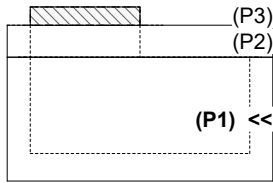
- Structure Notes:**
1. PER ASTM C-478 SPECIFICATIONS
 2. CONCRETE: 4,000 PSI AT 28 DAYS
 3. REINFORCEMENT: PER ASTM A615
 4. NO STEPS
 5. HOE KY-206 FRAME & COVER SUPPLIED BY ICAST

Rim: 999.2' Rim to Invert: 2.7' Slack: 0.4" Sump: 0" Step Position:

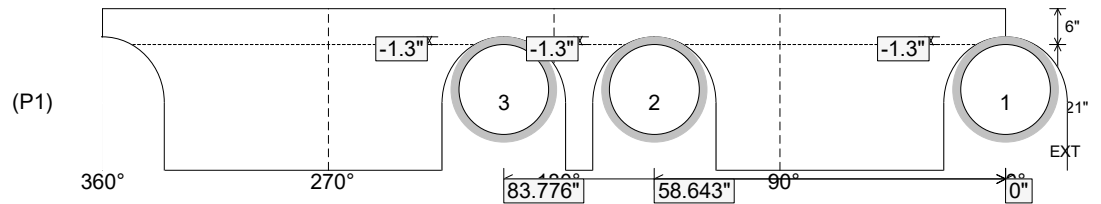
Position	Elev	Angle	Ext. (cw)	Pipe	Pipe OD	Connector	Hole	Horz Size	Up ()	Offset
Invert 1	996.5'	0°	0"	15" HDPE	17.6"	DOGHOUSE INVRTD 20"x22"	20" x 22"	20.629"	-1.3"	0"
Invert 2	996.5'	140°	70.86"	15" HDPE	17.6"	DOGHOUSE INVRTD 20"x22"	20" x 22"	20.629"	-1.3"	0"
Invert 3	996.5'	200°	101.229"	15" HDPE	17.6"	DOGHOUSE INVRTD 20"x22"	20" x 22"	20.629"	-1.3"	0"
Invert 4										
Invert 5										
Invert 6										
Invert 7										
Invert 8										

RIGHT-SIDE UP VIEW (int. dimensions)

UPSIDE-DOWN VIEW (int. dimensions)



INSIDE WALL DIMENSIONS



Coating (Int):
 Coating (Ext):

Seam Up: Flat
 Seam Dn: n/a

Wall Thickness: 5"
 Floor Height: 6"

Height (Int): 21"
 Height (Ext): 27"

Weight (Net): 2282 lb
 Volume (Net): 0.58cu.yd