

Job Name: 25-2943 Shelby Green Ph.2 Sec.3
Job Location: Junction City, KY
Contractor: H&S,LLC

PC: Celina Goff
 TECH: J. Horsley - A
 Plant: 100



Structure ID: **SSMH-C1**

Spec: Sanitary
 Type: SAN.MH
 Size: 48"

Rim: 1002.08'
 Invert: 996.67'
 Rim to Invert: 5.41'

Sump: 2"
 Floor (Top): 996.503'
 Floor Height: 6"

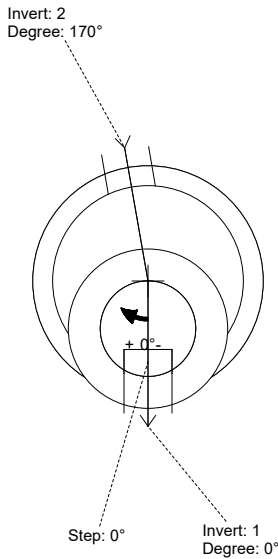
Floor (Bot): 996.003'
 Overall Height: 6'
 Slack: 0.92"

Structure Notes:

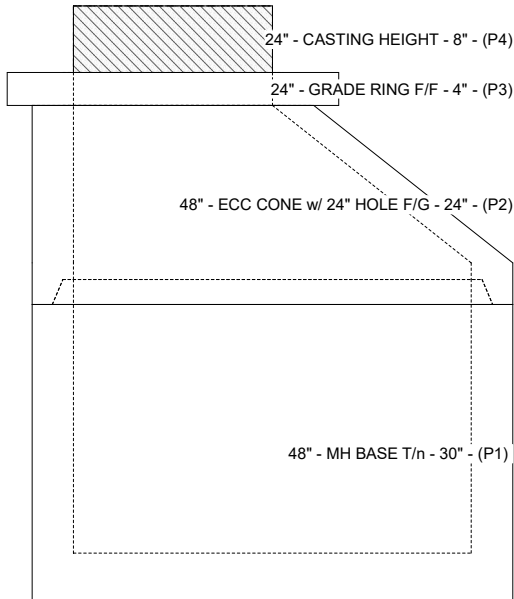
1. PER ASTM C-478 SPECIFICATIONS
2. CONCRETE: 4,000 PSI AT 28 DAYS
3. REINFORCEMENT: PER ASTM A615
4. INVERT CHANNEL REQUIRED
5. STEPS AT 0 DEGREES
6. HOE KY-510 FRAME & COVER SUPPLIED BY ICAST
7. DOUBLE EXTERNAL BANDS FOR BOOTS REQUIRED - SUPPLIED BY ICAST

STRUCTURE SUMMARY:

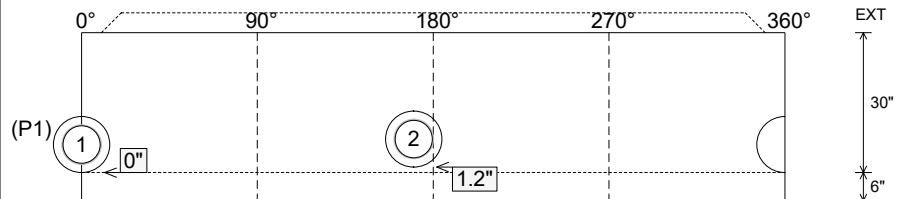
| | |
|---|----------------|
| P4) 24" - CASTING HEIGHT - 8" | 0 lb |
| P3) 24" - GRADE RING F/F - 4" | 270 lb |
| P2) 48" - ECC CONE w/ 24" HOLE F/G - 24" | 1550 lb |
| P1) 48" - MH BASE T/n - 30" | 3330 lb |
| 1) JOINT WRAP - 0.065"x6"x50' CONSEAL CS212 | 0 lb |
| 1) JOINT WRAP PRIMER - CONSEAL CS-75 (1 gal.) | 0 lb |
| 1) 48" - MH INVERT CHANNEL - FULL HEIGHT | 1440 lb |
| 1) CASTING - HOE KY-510 F/C (KY TY.2) | 510 lb |
| 1) 48" - Conseal CS-102 1.00" (Double) | 0 lb |
| 2) PSX - 12-08 NYLO | 16 lb |
| 4) MH Step ML-10-TDS-NCR - 10" | 0 lb |
| Structure Total: | 7116 lb |



| Position | Elev | Angle | Pipe | Pipe OD | Hole | Connector | Up (L) | Ref |
|----------|----------|-------|--------------|---------|------|----------------|--------|-----|
| Rim | 1002.08' | | | | | | | |
| Reducer | | | | | | | | |
| Invert 1 | 996.67' | 0° | 8" PVC SDR35 | 8.5" | 12" | PSX 12-08 NYLO | 0" | P1 |
| Invert 2 | 996.77' | 170° | 8" PVC SDR35 | 8.5" | 12" | PSX 12-08 NYLO | 1.2" | P1 |
| Invert 3 | | | | | | | | |
| Invert 4 | | | | | | | | |
| Invert 5 | | | | | | | | |
| Invert 6 | | | | | | | | |
| Invert 7 | | | | | | | | |
| Invert 8 | | | | | | | | |



Cast (Int. Dim.) - Interior Dimensions



Submittal Drawing
 12/11/2025 12:34:26 PM

SUBMITTAL
 APPROVED BY: