

Job Name: 25-2943 Shelby Green Ph.2 Sec.3
Job Location: Junction City, KY
Contractor: H&S,LLC

PC: Celina Goff
 TECH: J. Horsley - A
 Plant: 100



Structure ID: **SSMH-B2**

Spec: Sanitary
 Type: SAN.MH
 Size: 48"

Rim: 1005.25'
 Invert: 999.92'
 Rim to Invert: 5.33'

Sump: 2"
 Floor (Top): 999.753'
 Floor Height: 6"

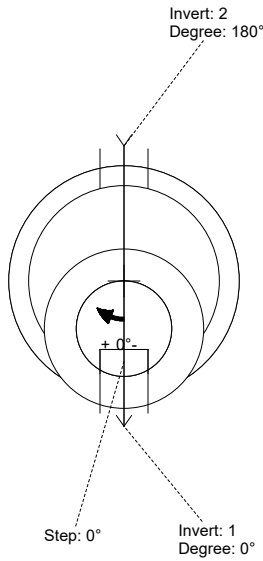
Floor (Bot): 999.253'
 Overall Height: 6'
 Slack: -0.04"

Structure Notes:

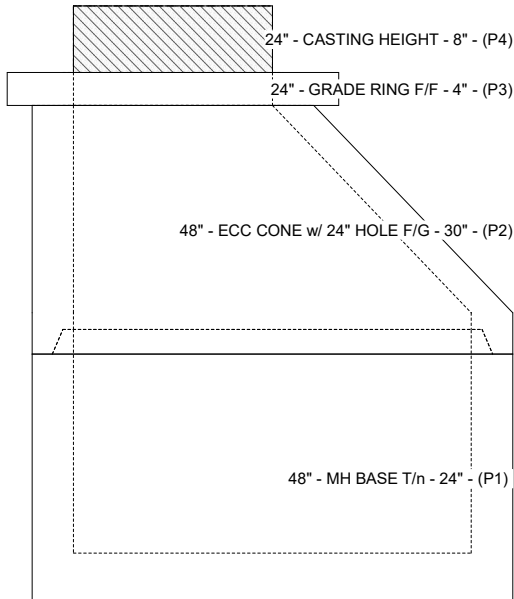
1. PER ASTM C-478 SPECIFICATIONS
2. CONCRETE: 4,000 PSI AT 28 DAYS
3. REINFORCEMENT: PER ASTM A615
4. INVERT CHANNEL REQUIRED
5. STEPS AT 0 DEGREES
6. HOE KY-510 FRAME & COVER SUPPLIED BY ICAST
7. DOUBLE EXTERNAL BANDS FOR BOOTS REQUIRED - SUPPLIED BY ICAST

STRUCTURE SUMMARY:

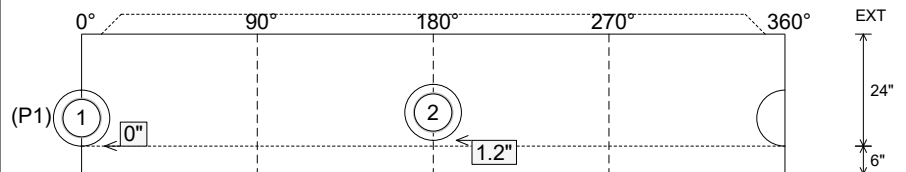
P4) 24" - CASTING HEIGHT - 8"	0 lb
P3) 24" - GRADE RING F/F - 4"	270 lb
P2) 48" - ECC CONE w/ 24" HOLE F/G - 30"	2050 lb
P1) 48" - MH BASE T/n - 24"	2911 lb
1) JOINT WRAP - 0.065"x6"x50' CONSEAL CS212	0 lb
1) JOINT WRAP PRIMER - CONSEAL CS-75 (1 gal.)	0 lb
1) 48" - MH INVERT CHANNEL - FULL HEIGHT	1440 lb
1) CASTING - HOE KY-510 F/C (KY TY.2)	510 lb
1) 48" - Conseal CS-102 1.00" (Double)	0 lb
2) PSX - 12-08 NYLO	16 lb
4) MH Step ML-10-TDS-NCR - 10"	0 lb
Structure Total:	7197 lb



Position	Elev	Angle	Pipe	Pipe OD	Hole	Connector	Up (L)	Ref
Rim	1005.25'							
Reducer								
Invert 1	999.92'	0°	8" PVC SDR35	8.5"	12"	PSX 12-08 NYLO	0"	P1
Invert 2	1000.02'	180°	8" PVC SDR35	8.5"	12"	PSX 12-08 NYLO	1.2"	P1
Invert 3								
Invert 4								
Invert 5								
Invert 6								
Invert 7								
Invert 8								



Cast (Int. Dim.) - Interior Dimensions



Submittal Drawing
 12/11/2025 12:34:25 PM

SUBMITTAL
 APPROVED BY: