

Job Name: 25-2943 Shelby Green Ph.2 Sec.3
Job Location: Junction City, KY
Contractor: H&S,LLC

PC: Celina Goff
 TECH: J. Horsley - A
 Plant: 100



Structure ID: **SSMH-A6**
 Spec: Sanitary
 Type: SAN.MH
 Size: 48"

Rim: 1001.6'
 Invert: 994.58'
 Rim to Invert: 7.02'

Sump: 3"
 Floor (Top): 994.33'
 Floor Height: 6"

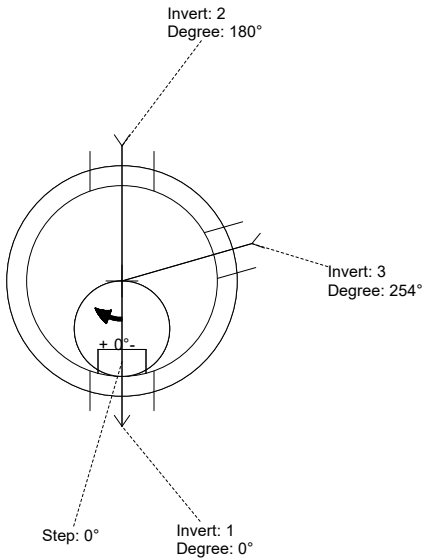
Floor (Bot): 993.83'
 Overall Height: 7.667'
 Slack: 1.24"

Structure Notes:

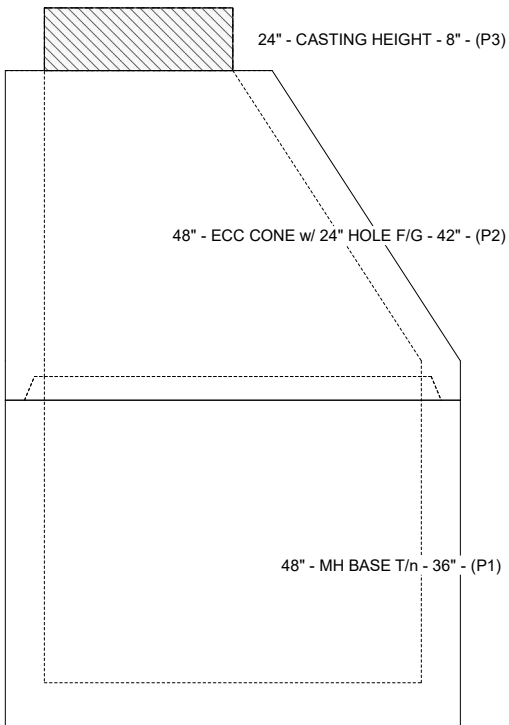
- PER ASTM C-478 SPECIFICATIONS
- CONCRETE: 4,000 PSI AT 28 DAYS
- REINFORCEMENT: PER ASTM A615
- INVERT CHANNEL REQUIRED
- STEPS AT 0 DEGREES
- HOE KY-510 FRAME & COVER SUPPLIED BY ICAST
- DOUBLE EXTERNAL BANDS FOR BOOTS REQUIRED - SUPPLIED BY ICAST

STRUCTURE SUMMARY:

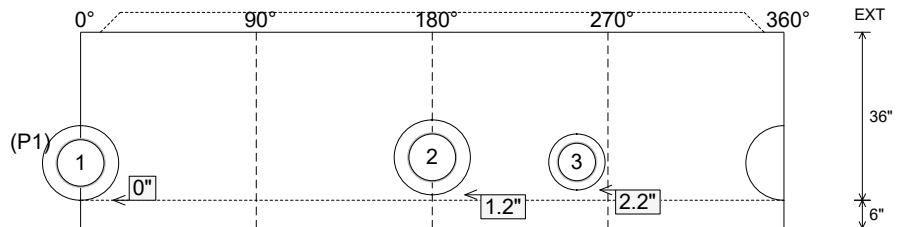
- P3) 24" - CASTING HEIGHT - 8" 0 lb
 - P2) 48" - ECC CONE w/ 24" HOLE F/G - 42" 3200 lb
 - P1) 48" - MH BASE T/n - 36" 3626 lb
 - 1) JOINT WRAP - 0.065"x6"x50' CONSEAL CS212 0 lb
 - 1) JOINT WRAP PRIMER - CONSEAL CS-75 (1 gal.) 0 lb
 - 1) 48" - MH INVERT CHANNEL - FULL HEIGHT 1440 lb
 - 1) CASTING - HOE KY-510 F/C (KY TY.2) 510 lb
 - 1) 48" - Conseal CS-102 1.00" (Double) 0 lb
 - 2) PSX - 16Y NYLO 16 lb
 - 1) PSX - 12-08 NYLO 8 lb
 - 6) MH Step ML-10-TDS-NCR - 10" 0 lb
- Structure Total: 8800 lb**



Position	Elev	Angle	Pipe	Pipe OD	Hole	Connector	Up (L)	Ref
Rim	1001.6'							
Reducer								
Invert 1	994.58'	0°	10" PVC SDR35	10.5"	16"	PSX 16Y NYLO	0"	P1
Invert 2	994.68'	180°	10" PVC SDR35	10.5"	16"	PSX 16Y NYLO	1.2"	P1
Invert 3	994.68'	254°	8" PVC SDR35	8.5"	12"	PSX 12-08 NYLO	2.2"	P1
Invert 4								
Invert 5								
Invert 6								
Invert 7								
Invert 8								



Cast (Int. Dim.) - Interior Dimensions



Submittal Drawing
 12/11/2025 12:34:24 PM

SUBMITTAL
 APPROVED BY: