

Job Name: 25-2943 Shelby Green Ph.2 Sec.3
Job Location: Junction City, KY
Contractor: H&S,LLC

PC: Celina Goff
 TECH: J. Horsley - A
 Plant: 100



Structure ID: **SSMH-A5**
 Spec: Sanitary
 Type: SAN.MH
 Size: 48"

Rim: 1000.3'
 Invert: 993.76'
 Rim to Invert: 6.54'

Sump: 3"
 Floor (Top): 993.51'
 Floor Height: 6"

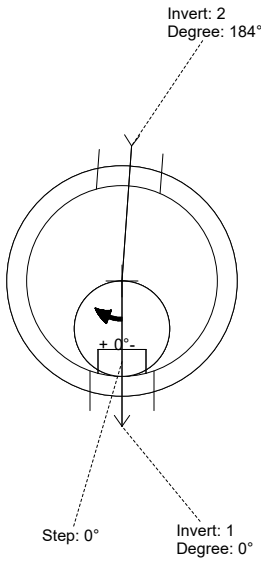
Floor (Bot): 993.01'
 Overall Height: 7.167'
 Slack: 1.48"

Structure Notes:

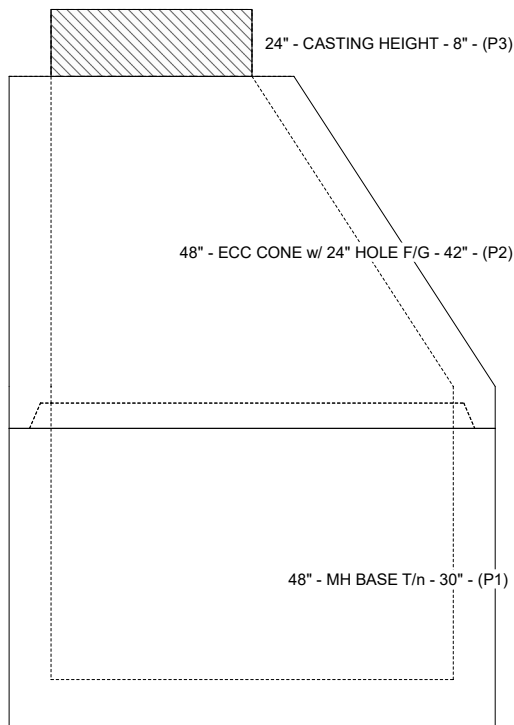
1. PER ASTM C-478 SPECIFICATIONS
2. CONCRETE: 4,000 PSI AT 28 DAYS
3. REINFORCEMENT: PER ASTM A615
4. INVERT CHANNEL REQUIRED
5. STEPS AT 0 DEGREES
6. HOE KY-510 FRAME & COVER SUPPLIED BY ICAST
7. DOUBLE EXTERNAL BANDS FOR BOOTS REQUIRED - SUPPLIED BY ICAST

STRUCTURE SUMMARY:

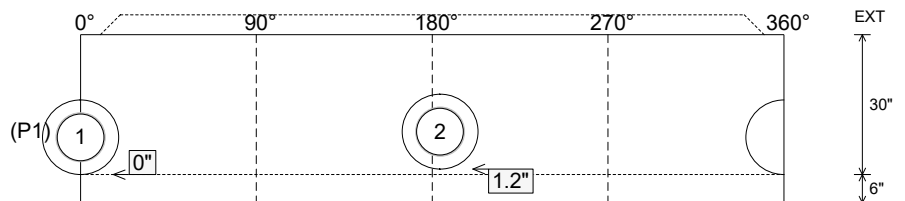
- P3) 24" - CASTING HEIGHT - 8" 0 lb
 - P2) 48" - ECC CONE w/ 24" HOLE F/G - 42" 3200 lb
 - P1) 48" - MH BASE T/n - 30" 3255 lb
 - 1) JOINT WRAP - 0.065"x6"x50' CONSEAL CS212 0 lb
 - 1) JOINT WRAP PRIMER - CONSEAL CS-75 (1 gal.) 0 lb
 - 1) 48" - MH INVERT CHANNEL - FULL HEIGHT 1440 lb
 - 1) CASTING - HOE KY-510 F/C (KY TY.2) 510 lb
 - 1) 48" - Conseal CS-102 1.00" (Double) 0 lb
 - 2) PSX - 16Y NYLO 16 lb
 - 5) MH Step ML-10-TDS-NCR - 10" 0 lb
- Structure Total: **8421 lb**



Position	Elev	Angle	Pipe	Pipe OD	Hole	Connector	Up (L)	Ref
Rim	1000.3'							
Reducer								
Invert 1	993.76'	0°	10" PVC SDR35	10.5"	16"	PSX 16Y NYLO	0"	P1
Invert 2	993.86'	184°	10" PVC SDR35	10.5"	16"	PSX 16Y NYLO	1.2"	P1
Invert 3								
Invert 4								
Invert 5								
Invert 6								
Invert 7								
Invert 8								



Cast (Int. Dim.) - Interior Dimensions



Submittal Drawing
 12/11/2025 12:34:23 PM

SUBMITTAL
 APPROVED BY: