

Job Name: 25-2943 Shelby Green Ph.2 Sec.3
Job Location: Junction City, KY
Contractor: H&S,LLC

PC: Celina Goff
 TECH: J. Horsley - A
 Plant: 100



Structure ID: **SSMH-A4**

Spec: Sanitary
 Type: SAN.MH
 Size: 48"

Rim: 999.1'
 Invert: 992.96'
 Rim to Invert: 6.14'

Sump: 3"
 Floor (Top): 992.71'
 Floor Height: 6"

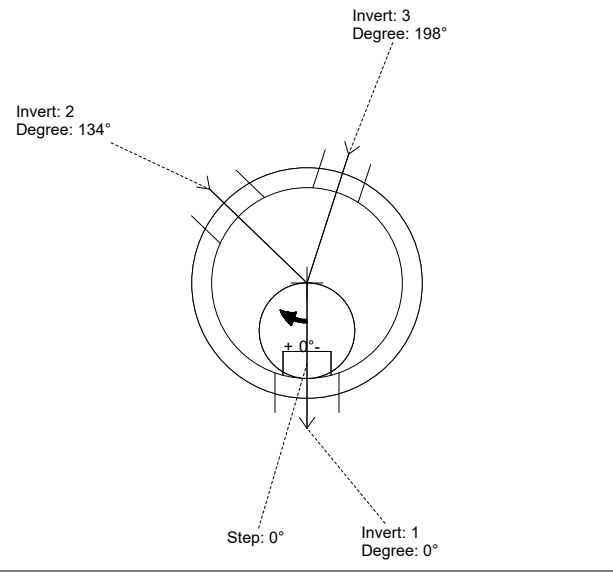
Floor (Bot): 992.21'
 Overall Height: 6.667'
 Slack: 2.68"

Structure Notes:

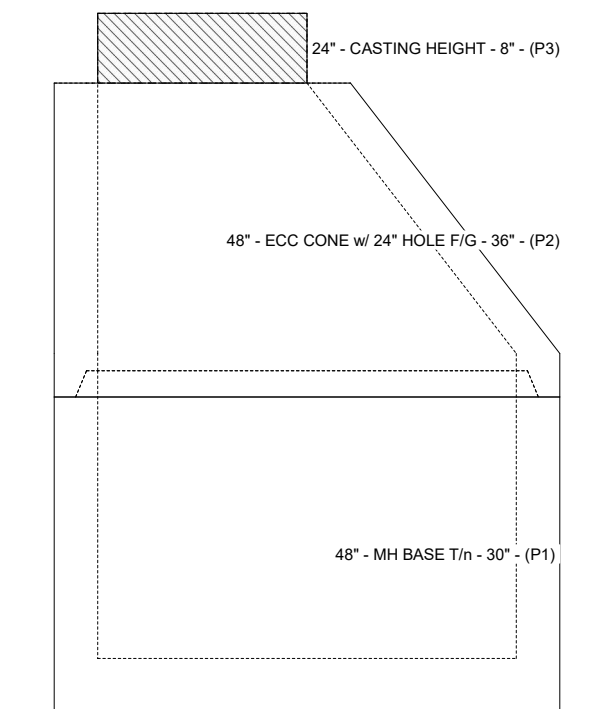
1. PER ASTM C-478 SPECIFICATIONS
2. CONCRETE: 4,000 PSI AT 28 DAYS
3. REINFORCEMENT: PER ASTM A615
4. INVERT CHANNEL REQUIRED
5. STEPS AT 0 DEGREES
6. HOE KY-510 FRAME & COVER SUPPLIED BY ICAST
7. DOUBLE EXTERNAL BANDS FOR BOOTS REQUIRED - SUPPLIED BY ICAST

STRUCTURE SUMMARY:

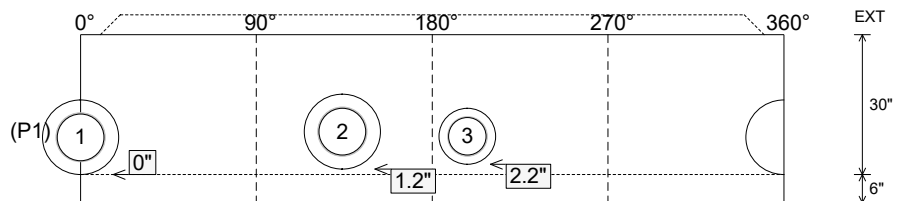
- P3) 24" - CASTING HEIGHT - 8" 0 lb
 - P2) 48" - ECC CONE w/ 24" HOLE F/G - 36" 3000 lb
 - P1) 48" - MH BASE T/n - 30" 3207 lb
 - 1) JOINT WRAP - 0.065"x6"x50' CONSEAL CS212 0 lb
 - 1) JOINT WRAP PRIMER - CONSEAL CS-75 (1 gal.) 0 lb
 - 1) 48" - MH INVERT CHANNEL - FULL HEIGHT 1440 lb
 - 1) CASTING - HOE KY-510 F/C (KY TY.2) 510 lb
 - 1) 48" - Conseal CS-102 1.00" (Double) 0 lb
 - 2) PSX - 16Y NYLO 16 lb
 - 1) PSX - 12-08 NYLO 8 lb
 - 4) MH Step ML-10-TDS-NCR - 10" 0 lb
- Structure Total: 8181 lb**



Position	Elev	Angle	Pipe	Pipe OD	Hole	Connector	Up (L)	Ref
Rim	999.1'							
Reducer								
Invert 1	992.96'	0°	10" PVC SDR35	10.5"	16"	PSX 16Y NYLO	0"	P1
Invert 2	993.06'	134°	10" PVC SDR35	10.5"	16"	PSX 16Y NYLO	1.2"	P1
Invert 3	993.06'	198°	8" PVC SDR35	8.5"	12"	PSX 12-08 NYLO	2.2"	P1
Invert 4								
Invert 5								
Invert 6								
Invert 7								
Invert 8								



Cast (Int. Dim.) - Interior Dimensions



Submittal Drawing
 12/11/2025 12:34:23 PM

SUBMITTAL
 APPROVED BY: