

Job Name: 25-2943 Shelby Green Ph.2 Sec.3  
 Job Location: Junction City, KY  
 Contractor: H&S,LLC

Plant: 100

Tech: J. Horsley - A

12/11/2025 1:20:10 PM

PC: Celina Goff



**Structure ID: CI-B5**

**P1 BX2424-08BAVF**

**BOX BASE 8inW, 8inF, Variable Ht F/n**

- P2) 24" x 24" - CASTING HEIGHT - 5"
- P1) 24" x 24" - BOX BASE 8inW, 8inF, Variable Ht F/n - 29"
- 1) CASTING - HOE KY-465 SET (CBI TY F)
- 1) 24" x 24" - Conseal CS-102 1.00"
- 2) Hole - 16

0 lb  
 3287 lb  
 465 lb  
 0 lb  
 0 lb  
 -----  
 Structure Total: 3752 lb

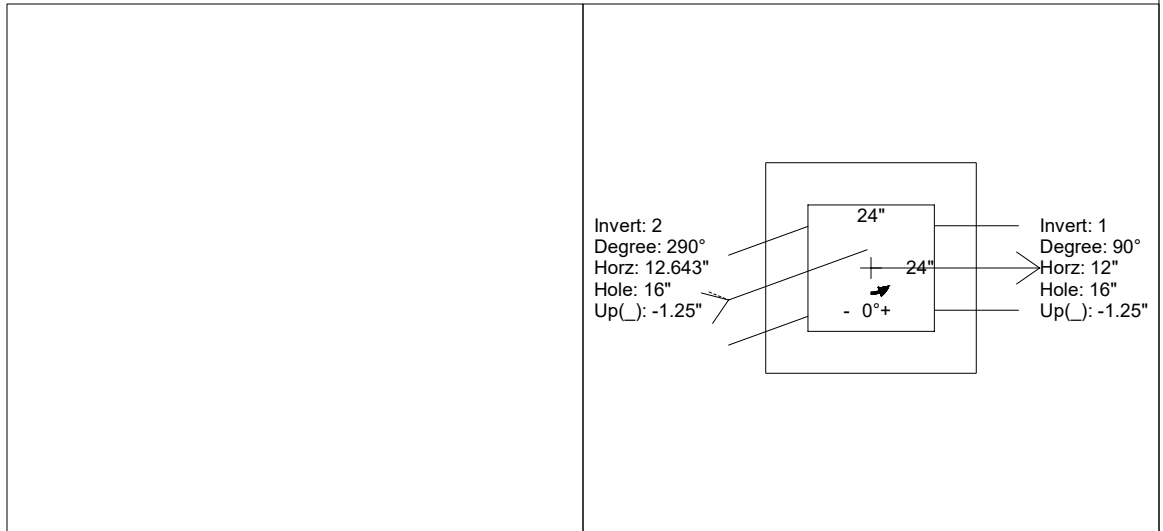
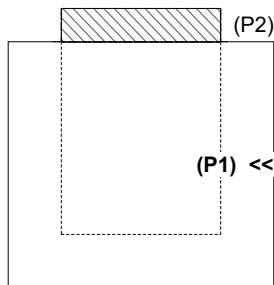
- Structure Notes:**
1. PER ASTM C-913 SPECIFICATIONS
  2. CONCRETE: 4,000 PSI AT 28 DAYS
  3. REINFORCEMENT: #5 BAR @ 12" C.C. E.W. (GRADE 60) - 2" MIN. REBAR CLEARANCE (TYP)
  4. HOE KY-465 FRAME, GRATE, & CURB HOOD SUPPLIED BY ICAST

Rim: 1000.45' Rim to Invert: 2.89' Slack: 0.68" Sump: 0" Step Position:

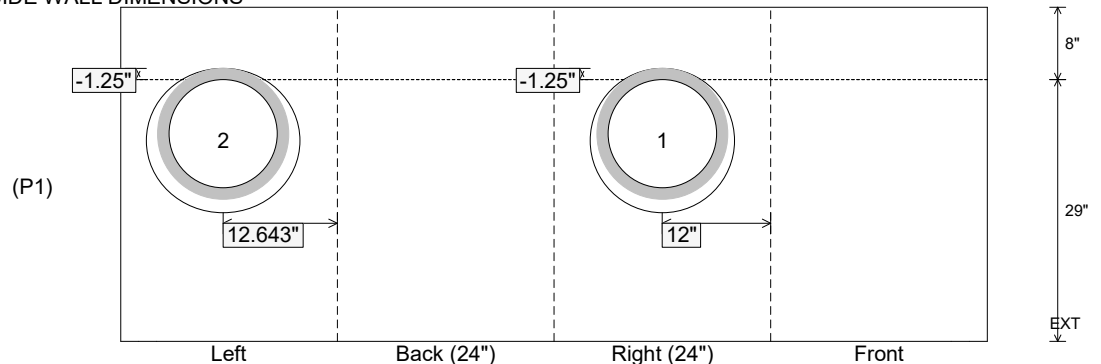
Position	Elev	Angle	Ext. (cw)	Pipe	Pipe OD	Connector	Hole	Horz Size	Up ( )	Offset
Invert 1	997.56'	90°	20"	12" HDPE	14.5"	Hole 16	16"	16"	-1.25"	0"
Invert 2	997.56'	290°	23.555"	12" HDPE	14.5"	Hole 16	16"	17.027"	-1.25"	-3.5"
Invert 3										
Invert 4										
Invert 5										
Invert 6										
Invert 7										
Invert 8										

RIGHT-SIDE UP VIEW (int. dimensions)

UPSIDE-DOWN VIEW (int. dimenions)



INSIDE WALL DIMENSIONS



Coating (Int):  
 Coating (Ext):

Seam Up: Flat  
 Seam Dn: n/a

Wall Thickness: 8"  
 Floor Height: 8"

Height (Int): 29"  
 Height (Ext): 37"

Weight (Net): 3287 lb  
 Volume (Net): 0.84cu.yd