

Job Name: 25-2943 Shelby Green Ph.2 Sec.3
 Job Location: Junction City, KY
 Contractor: H&S,LLC

Plant: 100

12/11/2025 1:20:54 PM

Tech: J. Horsley - A

PC: Celina Goff



Structure ID: CI-B2

P2 MH048LD07SP

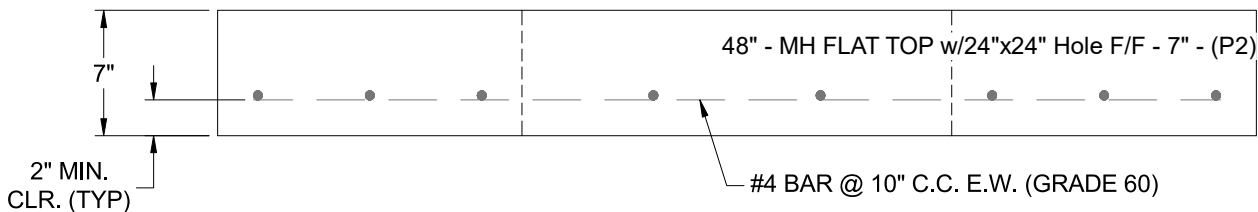
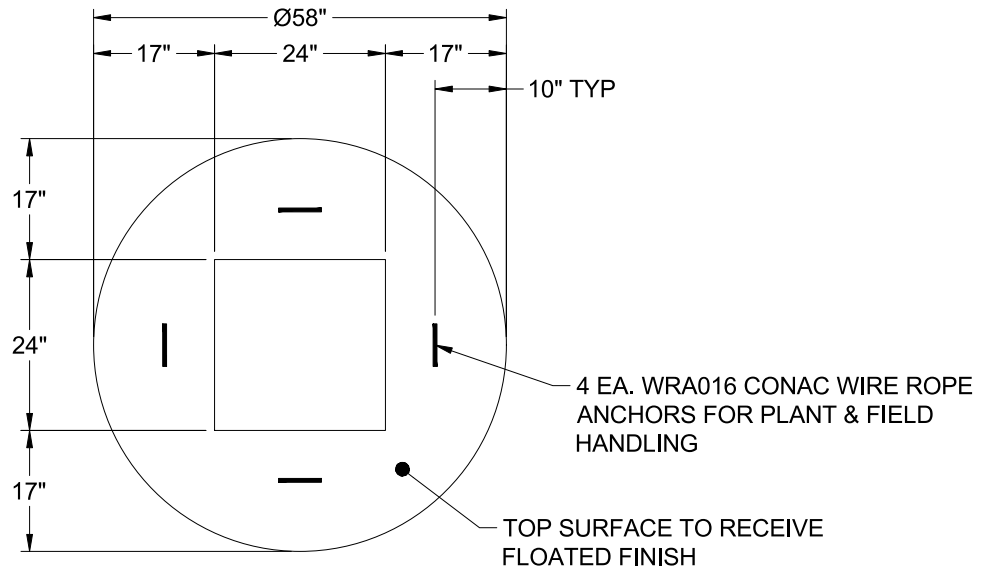
MH FLAT TOP w/24"x24" Hole F/F

- P3) 24" x 24" - CASTING HEIGHT - 5"
- P2) 48" - MH FLAT TOP w/24"x24" Hole F/F - 7"
- P1) 48" - MH BASE Custom Ht F/n - 35"
- 1) CASTING - HOE KY-465 SET (CBI TY F)
- 1) 48" - Conseal CS-102 1.00"
- 1) 24" x 24" - Conseal CS-102 1.00"
- 2) Hole - 30

	0 lb
	1214 lb
	3041 lb
	465 lb
	0 lb
	0 lb
	0 lb
Structure Total:	4720 lb

Structure Notes:

1. PER ASTM C-478 SPECIFICATIONS
2. CONCRETE: 4,000 PSI AT 28 DAYS
3. REINFORCEMENT: #4 BAR @ 10" C.C. E.W. (GRADE 60) - 2" MIN. REBAR CLEARANCE (TYP)
4. NO STEPS
5. HOE KY-465 FRAME, GRATE, & CURB HOOD SUPPLIED BY ICAST
6. LIFTERS: 4 EA. WRA016 CONAC WIRE ROPE ANCHORS FOR PLANT & FIELD HANDLING



Coating (Int):
 Coating (Ext):

Seam Up: Flat
 Seam Dn: Flat

Wall Thickness: 5"

Height (Ext): 7"

Weight (Net): 1214 lb
 Volume (Net): 0.31cu.yd