

Job Name: 25-2943 Shelby Green Ph.2 Sec.3
Job Location: Junction City, KY
Contractor: H&S,LLC

PC: Celina Goff
 TECH: J. Horsley - A
 Plant: 100



Structure ID: **CI-A3**
 Spec: Storm
 Type: BX 8inW, 8inF
 Size: 24" x 24"

Rim: 998.87'
 Invert: 996.7'
 Rim to Invert: 2.17'

Sump: 0"
 Floor (Top): 996.7'
 Floor Height: 8"

Floor (Bot): 996.033'
 Overall Height: 2.833'
 Slack: 0.04"

Structure Notes:

1. PER ASTM C-913 SPECIFICATIONS
2. CONCRETE: 4,000 PSI AT 28 DAYS
3. REINFORCEMENT: #5 BAR @ 12" C.C. E.W. (GRADE 60)
4. HOE KY-465 FRAME, GRATE, & CURB HOOD SUPPLIED BY ICAST

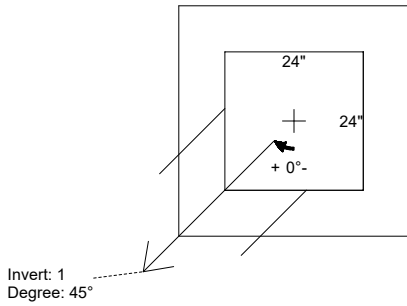
STRUCTURE SUMMARY:

P2) 24" x 24" - CASTING HEIGHT - 5"
 P1) 24" x 24" - BOX BASE 8inW, 8inF, Variable Ht F/n - 21"
 1) CASTING - HOE KY-465 SET (CBI TY F)
 1) 24" x 24" - Conseal CS-102 1.00"
 1) DOGHOUSE INVRTD - 20"x22"

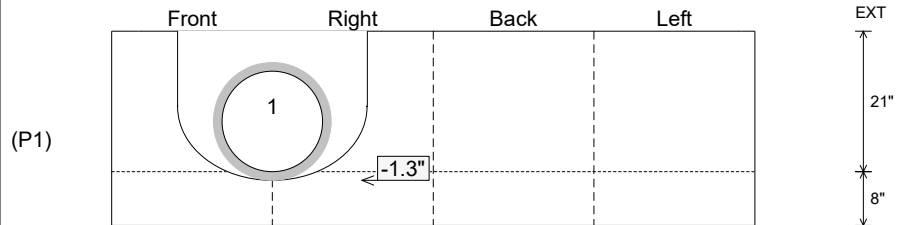
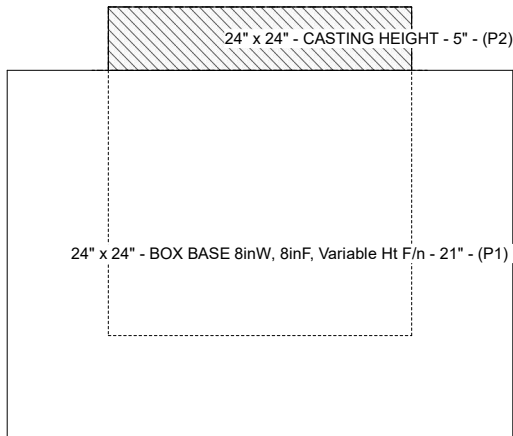
0 lb
 2500 lb
 465 lb
 0 lb
 0 lb

 Structure Total: 2965 lb

Position	Elev	Angle	Pipe	Pipe OD	Hole	Connector	Up ()	Ref
Rim	998.87'							
Reducer								
Invert 1	996.7'	45°	15" HDPE	17.6"	20" x 22"	DOGHOUSE INVRTD 20"x22"	-1.3"	P1
Invert 2								
Invert 3								
Invert 4								
Invert 5								
Invert 6								
Invert 7								
Invert 8								



Cast (Int. Dim.) - Interior Dimensions



Submittal Drawing
 12/11/2025 12:34:16 PM

SUBMITTAL
 APPROVED BY: