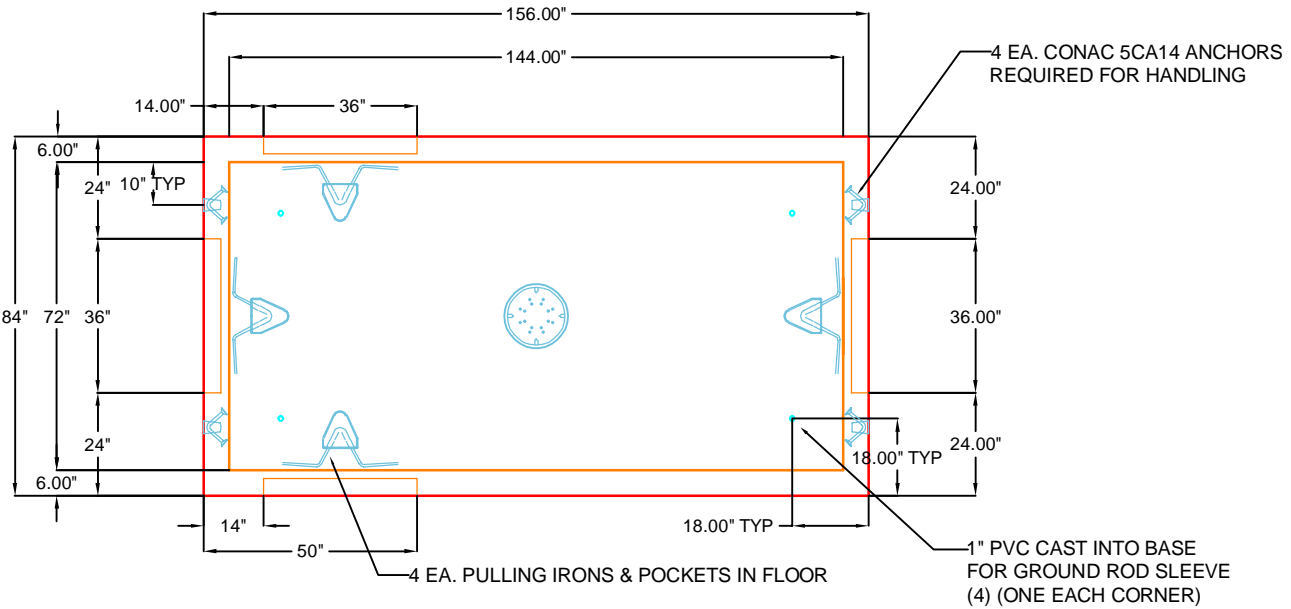
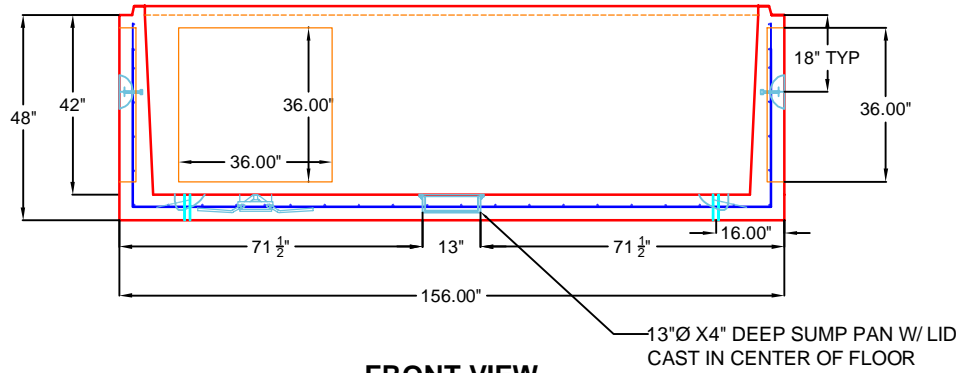


GENERAL NOTES:

1. CONCRETE 28 DAY COMPRESSIVE STRENGTH OF 5000 PSI.
2. REINFORCING PER ASTM A-615:  
 TOP #4 BAR @ 8" C.C.E.W.  
 BASE #4 @ 8" C.C.E.W.
3. VAULT JOINT TO BE SEALED WITH CONSEAL CS-102 (SUPPLIED BY ICAST).
4. WEIGHT:  
 TOP SECTION = 17,583 LBS  
 BASE SECTION = 17,850 LBS  
 TOTAL = 35,433 LBS

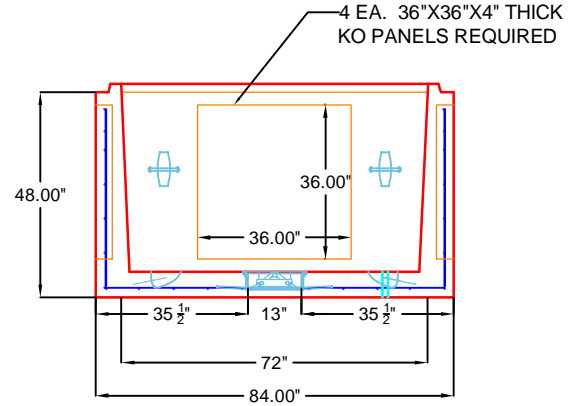


**TOP VIEW**



**FRONT VIEW**

**RIGHT-SIDE UP VIEW**



**SIDE VIEW**

**RIGHT-SIDE UP VIEW**

REVISION INFORMATION

REV.	DATE:	NO REVISIONS TO DATE



SUBMITTAL DRAWING: 6'X12' UTILITY VAULT BASE		
CUSTOMER: KEMPER CONSTRUCTION		
PROJECT: CVG 200 MLLC		
STRUCTURE: VAULT 2		
QUOTE/SALES ORDER NO: 25-2930		
CHK BY: B SMITH	DRAWN BY: C. RUSS	
DATE: 08/12/25	SCALE: NTS	PG. 1 of 1