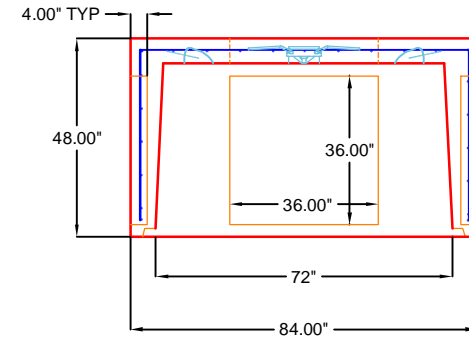
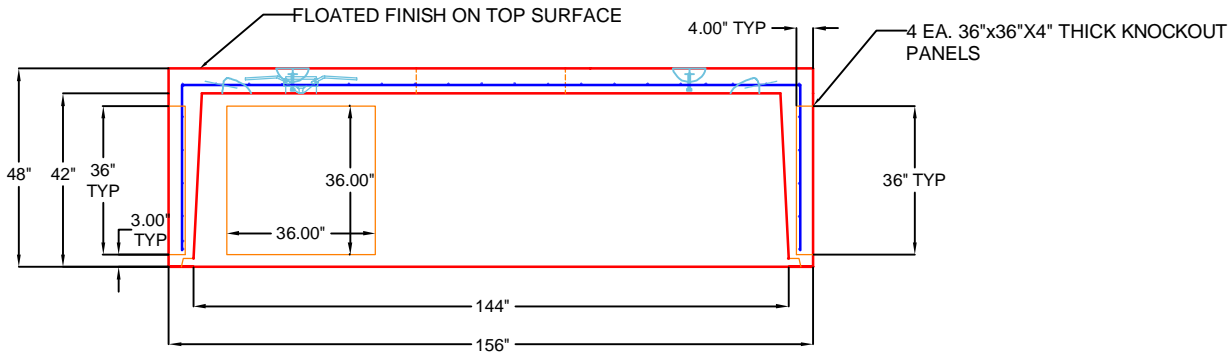
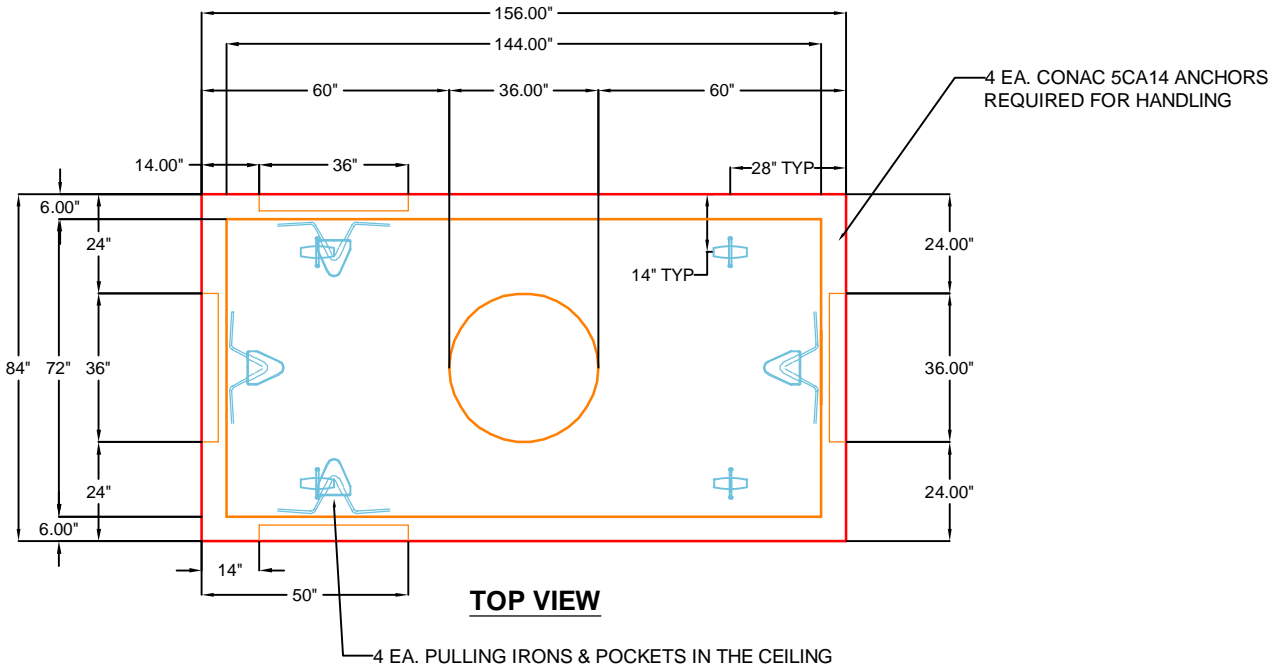


GENERAL NOTES :

1. CONCRETE 28 DAY COMPRESSIVE STRENGTH OF 5000 PSI.
2. REINFORCING PER ASTM A-615:
TOP #4 BAR @ 8" C.C.E.W.
BASE #4 @ 8" C.C.E.W.
3. VAULT JOINT TO BE SEALED WITH CONSEAL CS-102 (SUPPLIED BY ICAST).
4. WEIGHT:
TOP SECTION = 17,583 LBS
BASE SECTION = 17,850 LBS
TOTAL = 35,433 LBS



REVISION INFORMATION

REV. Δ DATE:	NO REVISIONS TO DATE



PRODUCTION DRAWING: 6'X12' UTILITY VAULT TOP

CUSTOMER: KEMPER CONSTRUCTION

PROJECT: CVG 200 MLLC

STRUCTURE: VAULT #1

QUOTE/SALES ORDER NO: 25-2930

CHK BY: B SMITH

DRAWN BY: C. RUSS

DATE: 08/12/25

SCALE: NTS

PG. 1 of 1