

**Structure ID: CBI 1**

**P1 BX2424-08BA18**

**BOX BASE 8inW, 8inF F/n**

- P2) 24" x 24" - CASTING HEIGHT - 4"
- P1) 24" x 24" - BOX BASE 8inW, 8inF F/n - 18"
- 1) CASTING - HOE 280T F/G
- 1) 24" x 24" - SGL 1"x14.5' Butyl
- 1) Hole - 14

	0 lb
	2517 lb
	182 lb
	0 lb
	0 lb
Structure Total:	2699 lb

Structure Notes:

1. PER ASTM C913 SPECIFICATIONS.
2. CONCRETE = 4,000 PSI AT 28 DAYS.
3. NO INVERT CHANNEL.
4. HOE 280T PROVIDED BY ICAST.

REINFORCING PER ASTM A615 (GRADE 60).

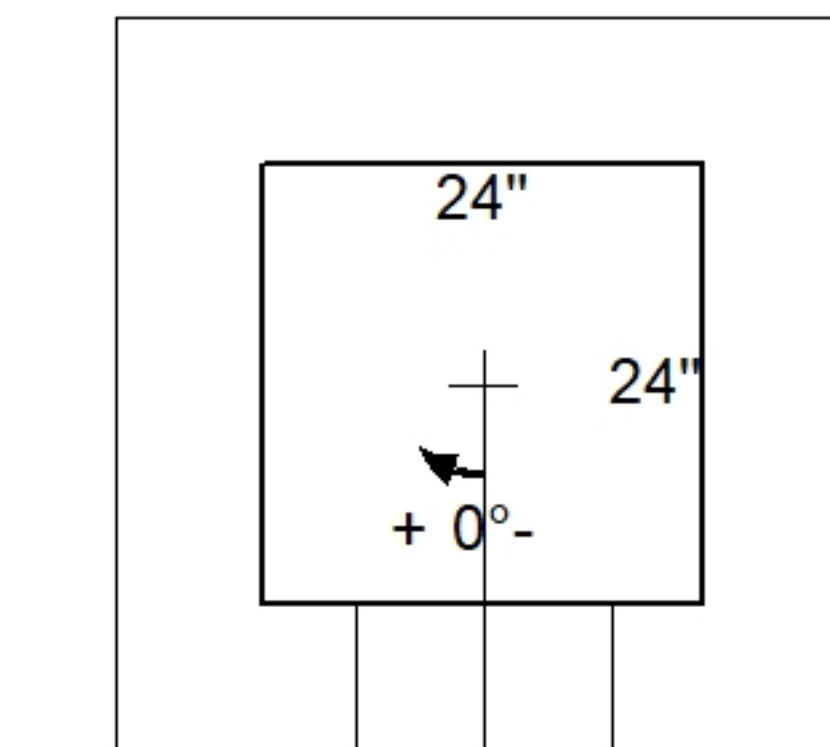
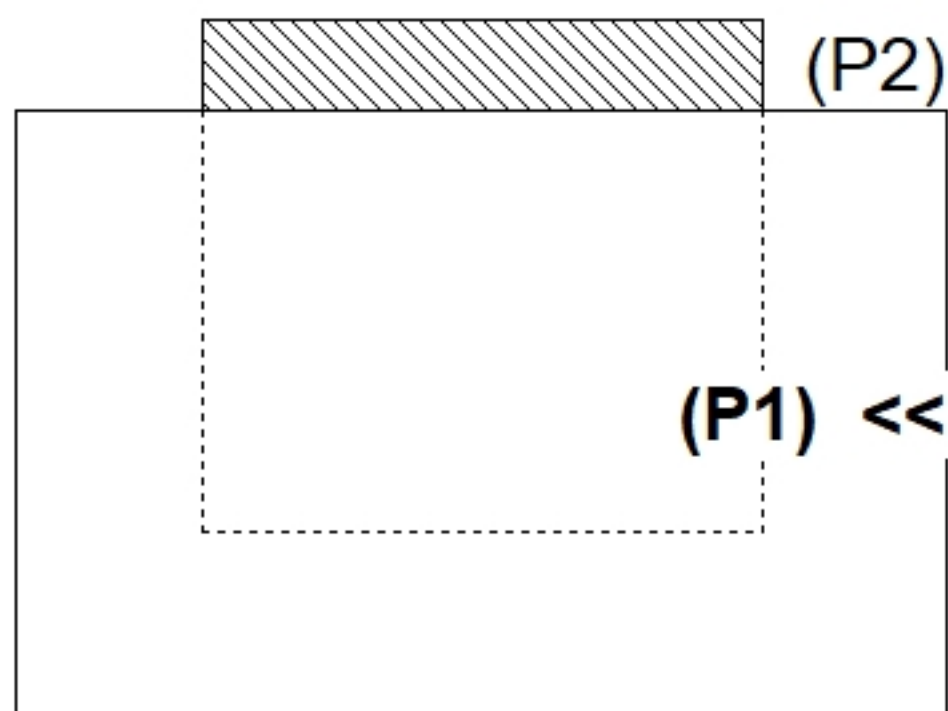
- WALLS (As .12) #5 BARS AT 12" C.C.E.W.
- FLOOR (As .12) #5 BARS AT 12" C.C.E.W.

Rim: 2'      Rim to Invert: 2'      Slack: 2.5"      Sump: 0.5"      Step Position:

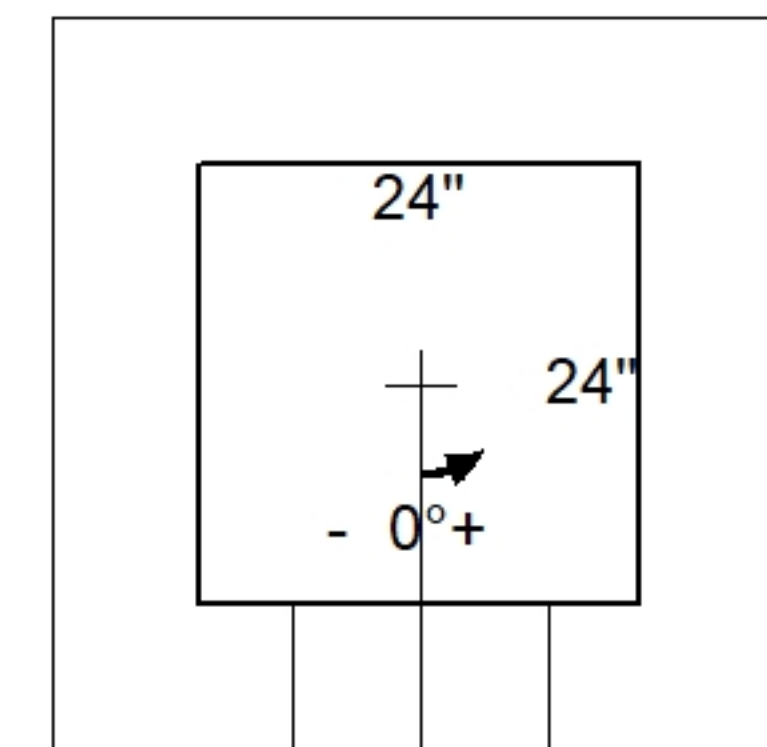
Position	Elev	Angle	Ext. (cw)	Pipe	Pipe OD	Connector	Hole	Horz Size	Up (⌋)	Offset
Invert 1	0'	0°	20"	12" CMP	13"	Hole 14	14"	14"	0"	0"
Invert 2										
Invert 3										
Invert 4										
Invert 5										
Invert 6										
Invert 7										
Invert 8										

RIGHT-SIDE UP VIEW (int. dimensions)

UPSIDE-DOWN VIEW (int. dimensions)

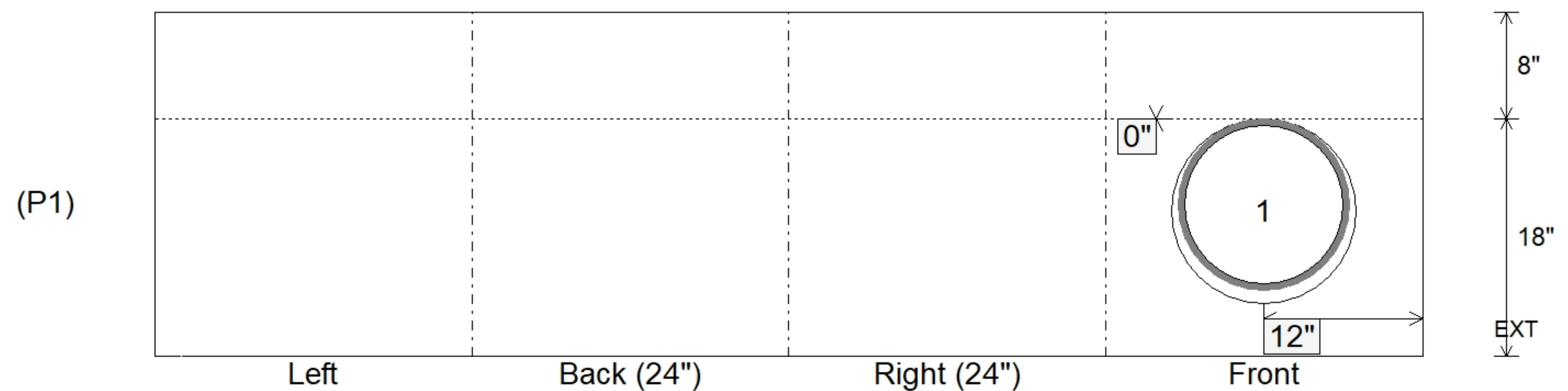


Invert: 1  
 Degree: 0°  
 Horz: 12"  
 Hole: 14"  
 Up(⌋): 0"



Invert: 1  
 Degree: 0°  
 Horz: 12"  
 Hole: 14"  
 Up(⌋): 0"

INSIDE WALL DIMENSIONS



Coating (Int): Coating (Ext):	Seam Up: Flat Seam Dn: n/a	Wall Thickness: 8" Floor Height: 8"	Height (Int): 18" Height (Ext): 26"	Weight (Net): 2517 lb Volume (Net): 0.64cu.yd
----------------------------------	-------------------------------	--	--	--