

**Job Name: 25-2898B - Hunter's Ridge Ph.1**  
**Job Location: Owensboro, KY**  
**Contractor: Ernie Davis & Sons Mechanical, Inc.**

PC: T. Lewis  
 TECH: J. Horsley - F  
 Plant: 100



Structure ID: **MH A-7**  
 Spec: Sanitary  
 Type: SAN.MH w/ConBlock-CDA Red  
 Size: 48"

Rim: 429.93'  
 Invert: 413.4'  
 Rim to Invert: 16.53'

Sump: 2"  
 Floor (Top): 413.233'  
 Floor Height: 8"

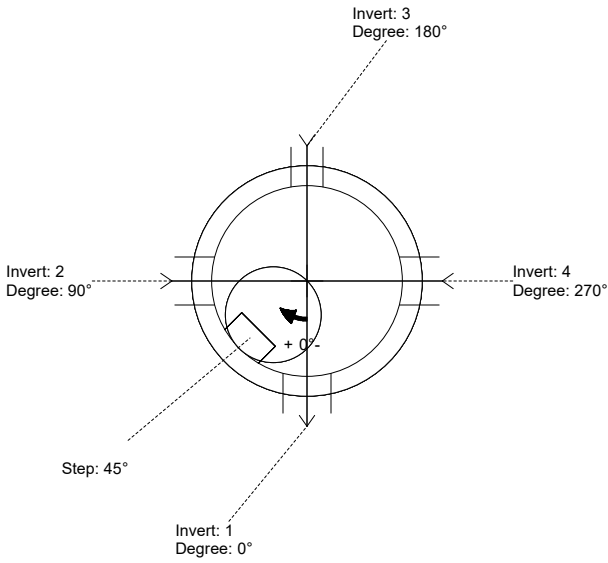
Floor (Bot): 412.567'  
 Overall Height: 17.25'  
 Slack: 1.36"

**Structure Notes:**

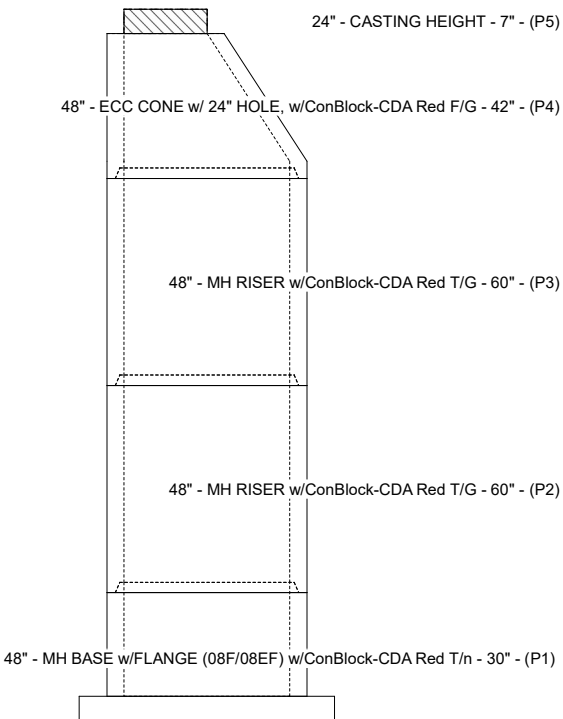
- PER ASTM C-478 SPECIFICATIONS
- CONCRETE: 4,000 PSI AT 28 DAYS
- REINFORCEMENT: PER ASTM A615
- INVERT CHANNEL REQUIRED
- CONBLOCK CDA RED ADMIXTURE REQUIRED
- STEPS AT 45 DEGREES
- CASTING BY OTHERS

**STRUCTURE SUMMARY:**

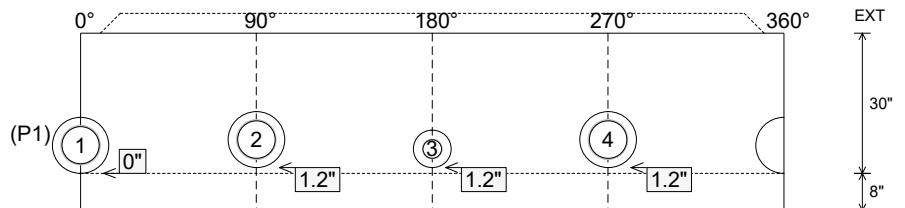
- P5) 24" - CASTING HEIGHT - 7" 0 lb
  - P4) 48" - ECC CONE w/ 24" HOLE, w/ConBlock-CDA Red F/G - 42" 3116 lb
  - P3) 48" - MH RISER w/ConBlock-CDA Red T/G - 60" 4192 lb
  - P2) 48" - MH RISER w/ConBlock-CDA Red T/G - 60" 4192 lb
  - P1) 48" - MH BASE w/FLANGE (08F/08EF) w/ConBlock-CDA Red T/n - 30" 4818 lb
  - 1) JOINT WRAP - 0.065"x6"x50' CONSEAL CS212 0 lb
  - 1) JOINT WRAP PRIMER - CONSEAL CS-75 (1 gal.) 0 lb
  - 1) ADMIXTURE CONBLOCK CDA RED 0 lb
  - 1) 48" - MH INVERT CHANNEL w/ConBlock-CDA Red - FULL HEIGHT 1440 lb
  - 3) 48" - Conseal CS-102 1.00" (Double) 0 lb
  - 3) PSX - 12-08 NYLO 24 lb
  - 1) PSX - 8QRS-S NYLO 6 lb
  - 16) MH Step ML-10-TDS-NCR - 10" 0 lb
- Structure Total: 17788 lb**



Position	Elev	Angle	Pipe	Pipe OD	Hole	Connector	Up ( )	Ref
Rim	429.93'							
Reducer								
Invert 1	413.4'	0°	8" PVC SDR26	8.5"	12"	PSX 12-08 NYLO	0"	P1
Invert 2	413.5'	90°	8" PVC SDR26	8.5"	12"	PSX 12-08 NYLO	1.2"	P1
Invert 3	413.5'	180°	4" PVC SDR35	4.25"	8"	PSX 8QRS-S NYLO	1.2"	P1
Invert 4	413.5'	270°	8" PVC SDR26	8.5"	12"	PSX 12-08 NYLO	1.2"	P1
Invert 5								
Invert 6								
Invert 7								
Invert 8								



**Cast (Int. Dim.) - Interior Dimensions**



Submittal Drawing  
 12/16/2025 1:48:05 PM

SUBMITTAL  
 APPROVED BY: