

Job Name: 25-2897 Marriott Studio Res
Job Location: Paducah, KY
Contractor: Central Paving Co. of Paducah, Inc.

PC: A. Chambers
 TECH: J. Coppage
 Plant: Beaver Dam



Structure ID: **CB12**
 Spec: Storm
 Type: STM.MH
 Size: 48"

Rim: 356.3'
 Invert: 352.6'
 Rim to Invert: 3.7'

Sump: 1.9"
 Floor (Top): 352.442'
 Floor Height: 6"

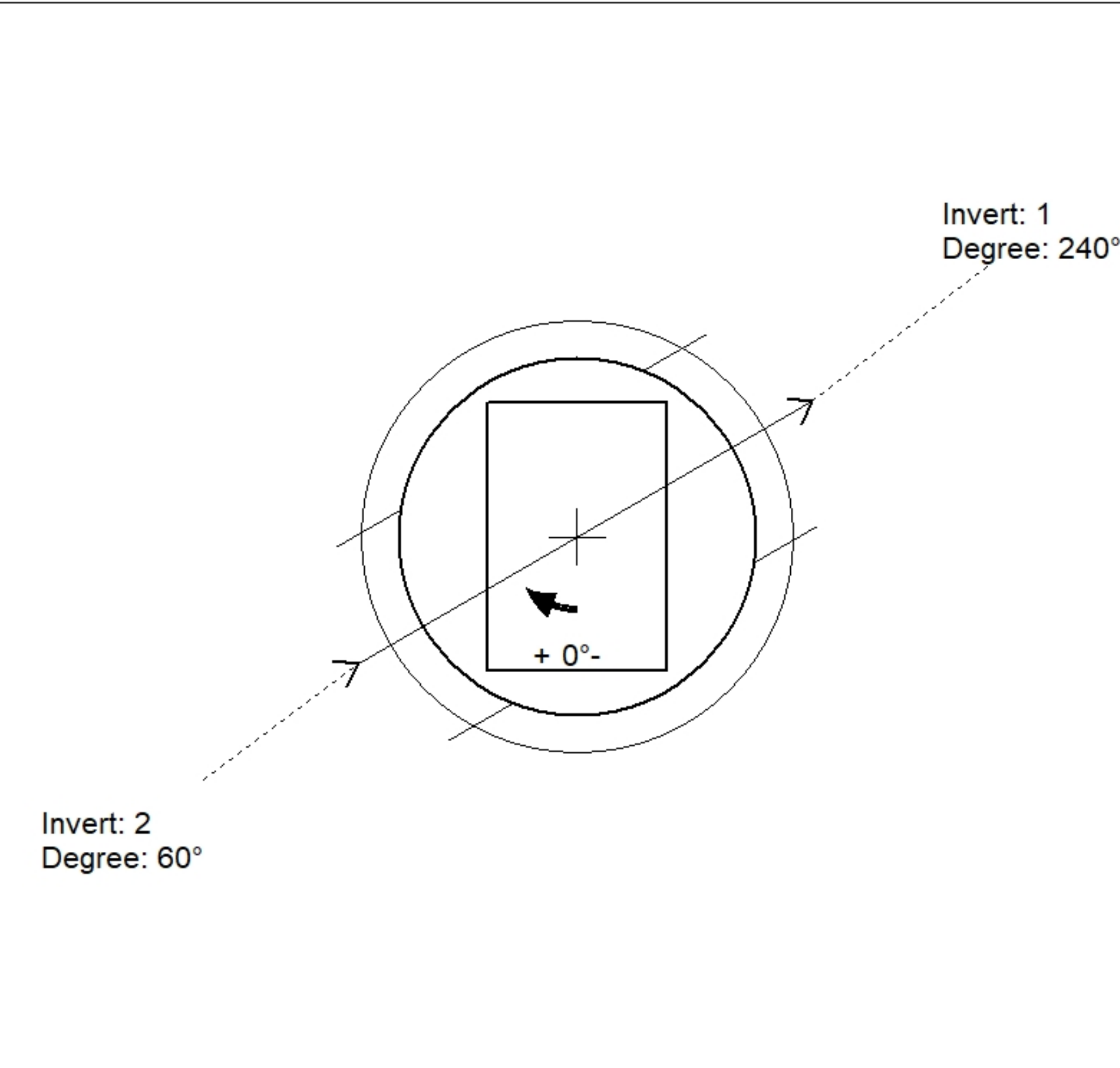
Floor (Bot): 351.942'
 Overall Height: 4.333'
 Slack: 0.3"

Structure Notes:

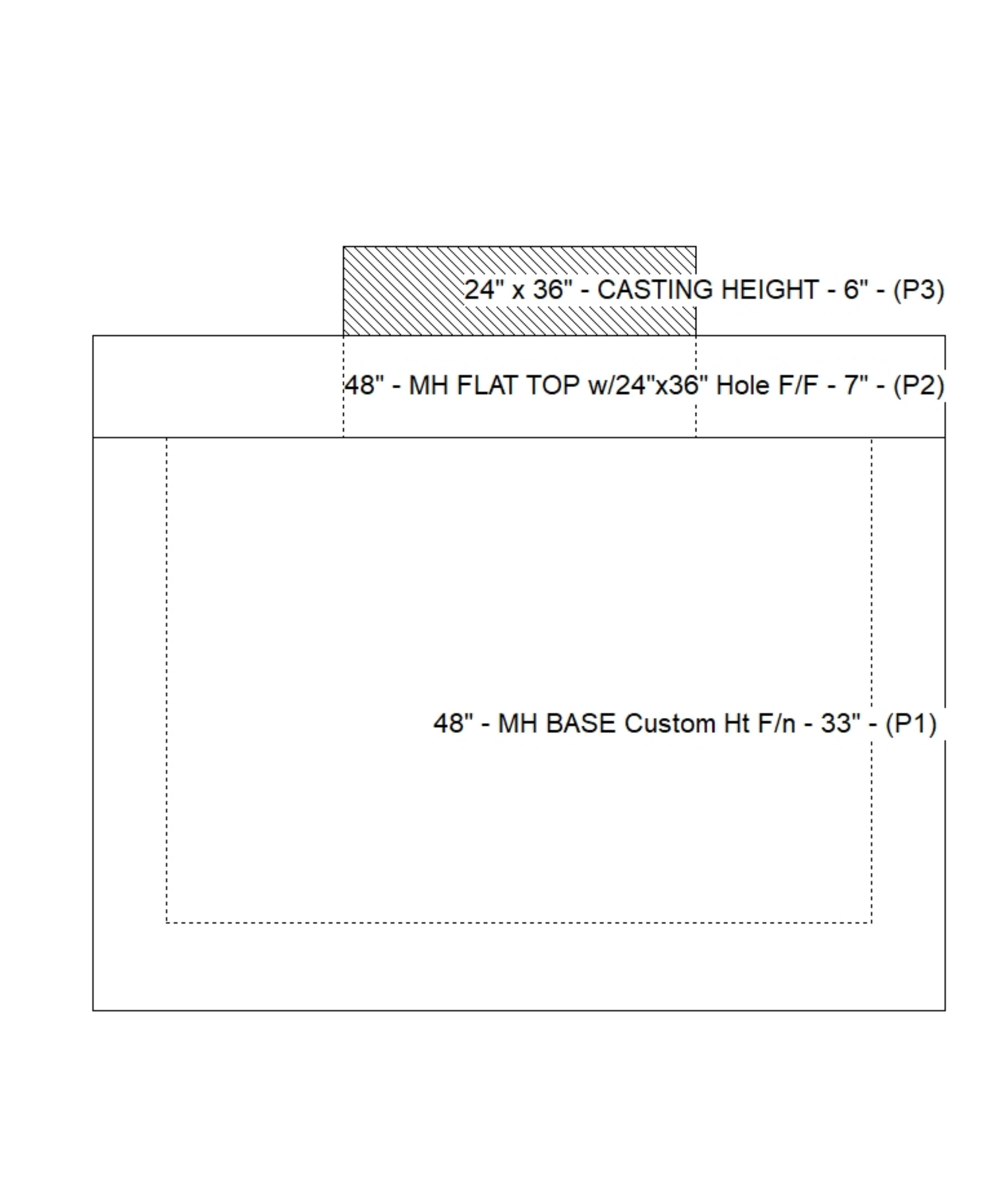
1. JR HOE HOE-525-LV PROVIDED BY ICAST.
2. PER ASTM C478 SPECIFICATIONS.
3. CONCRETE = 4,000 PSI AT 28 DAYS.
4. REINFORCING PER ASTM A615 (GRADE 60).
 - TOP SLAB (As .62) #5 BARS AT 6" C.C.E.W..
 - RISER/WALLS (As .12)
 - FLOOR (As .31) #5 BARS AT 12" C.C.E.W.

STRUCTURE SUMMARY:

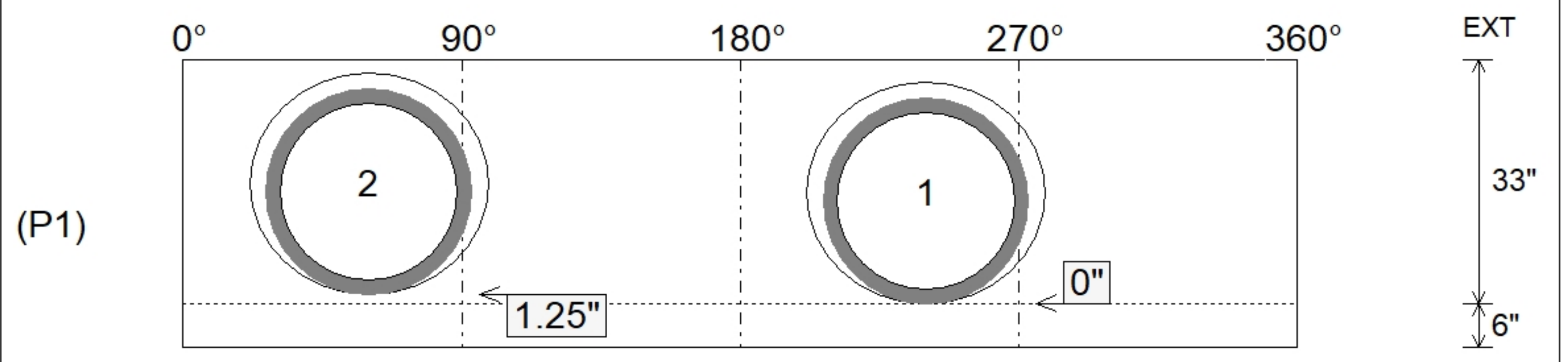
P3) 24" x 36" - CASTING HEIGHT - 6"	0 lb
P2) 48" - MH FLAT TOP w/24"x36" Hole F/F - 7"	1044 lb
P1) 48" - MH BASE Custom Ht F/n - 33"	3003 lb
1) 48" - SGL 1"x14.5' Butyl (2x)	0 lb
2) Hole - 30	0 lb
Structure Total:	4048 lb



Position	Elev	Angle	Pipe	Pipe OD	Hole	Connector	Up ()	Ref
Rim	356.3'							
Reducer								
Invert 1	352.6'	240°	24" HDPE	27.8"	30"	Hole 30	0"	P1
Invert 2	352.7'	60°	24" HDPE	27.8"	30"	Hole 30	1.25"	P1
Invert 3								
Invert 4								
Invert 5								
Invert 6								
Invert 7								
Invert 8								



Cast (Int. Dim.) - Interior Dimensions



Submittal Drawing
 10/15/2025 4:30:24 PM

SUBMITTAL
 APPROVED BY: