

**Job Name: 25-2897 Marriott Studio Res**  
**Job Location: Paducah, KY**  
**Contractor: Central Paving Co. of Paducah, Inc.**

PC: A. Chambers  
 TECH: J. Coppage  
 Plant: Beaver Dam



Structure ID: **CB11**  
 Spec: Storm  
 Type: STM.MH  
 Size: 48"

Rim: 356.8'  
 Invert: 353.1'  
 Rim to Invert: 3.7'

Sump: 1.9"  
 Floor (Top): 352.942'  
 Floor Height: 6"

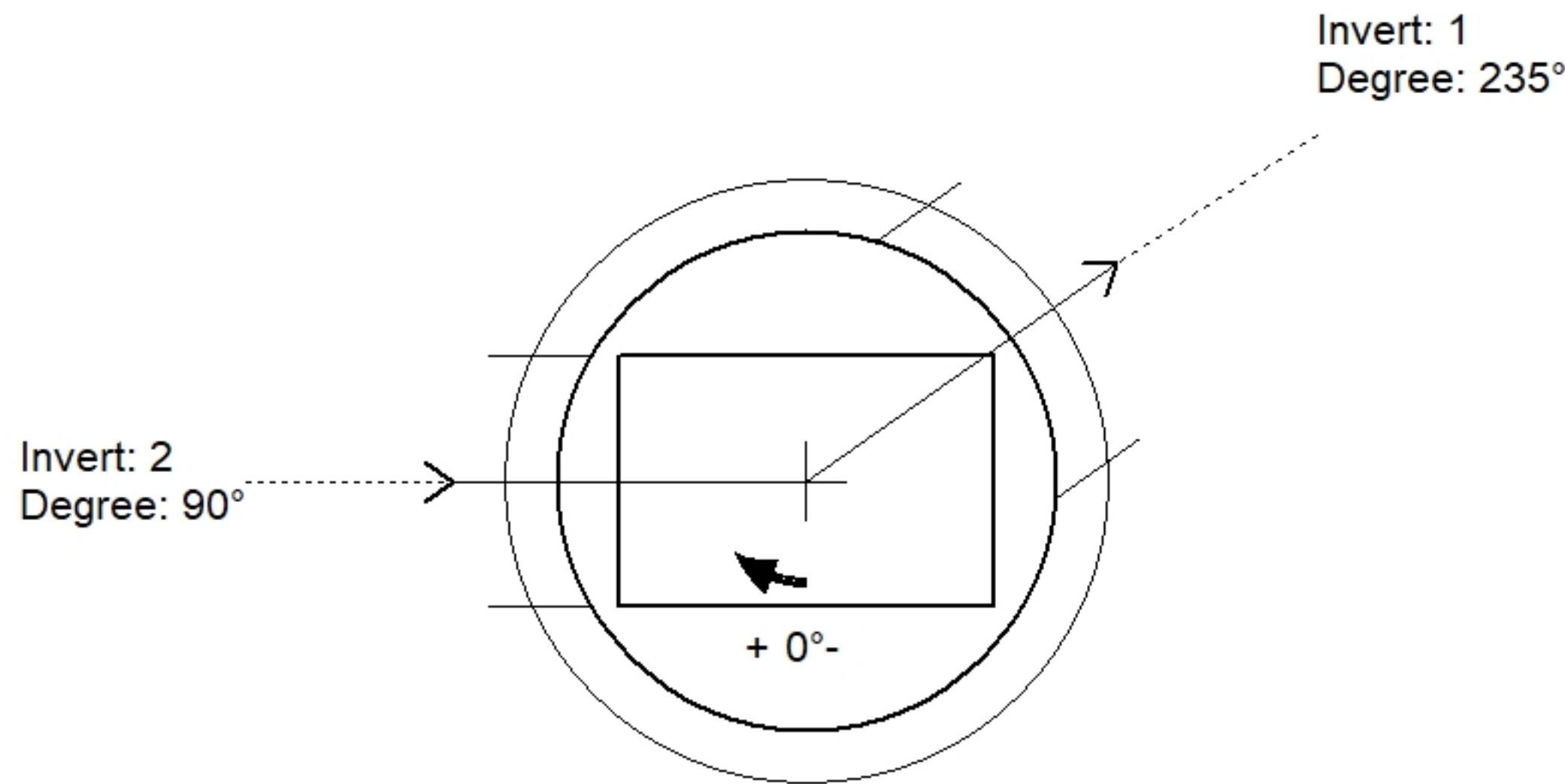
Floor (Bot): 352.442'  
 Overall Height: 4.333'  
 Slack: 0.3"

**Structure Notes:**

1. JR HOE HOE-525-LV PROVIDED BY ICAST.
2. PER ASTM C478 SPECIFICATIONS.
3. CONCRETE = 4,000 PSI AT 28 DAYS.
4. REINFORCING PER ASTM A615 (GRADE 60).
  - TOP SLAB (As .62) #5 BARS AT 6" C.C.E.W..
  - RISER/WALLS (As .12)
  - FLOOR (As .31) #5 BARS AT 12" C.C.E.W.

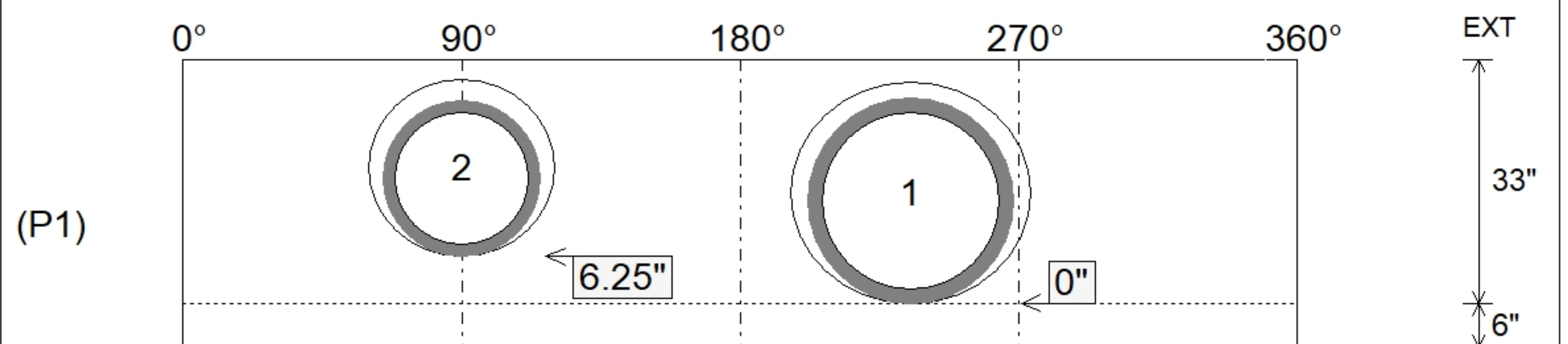
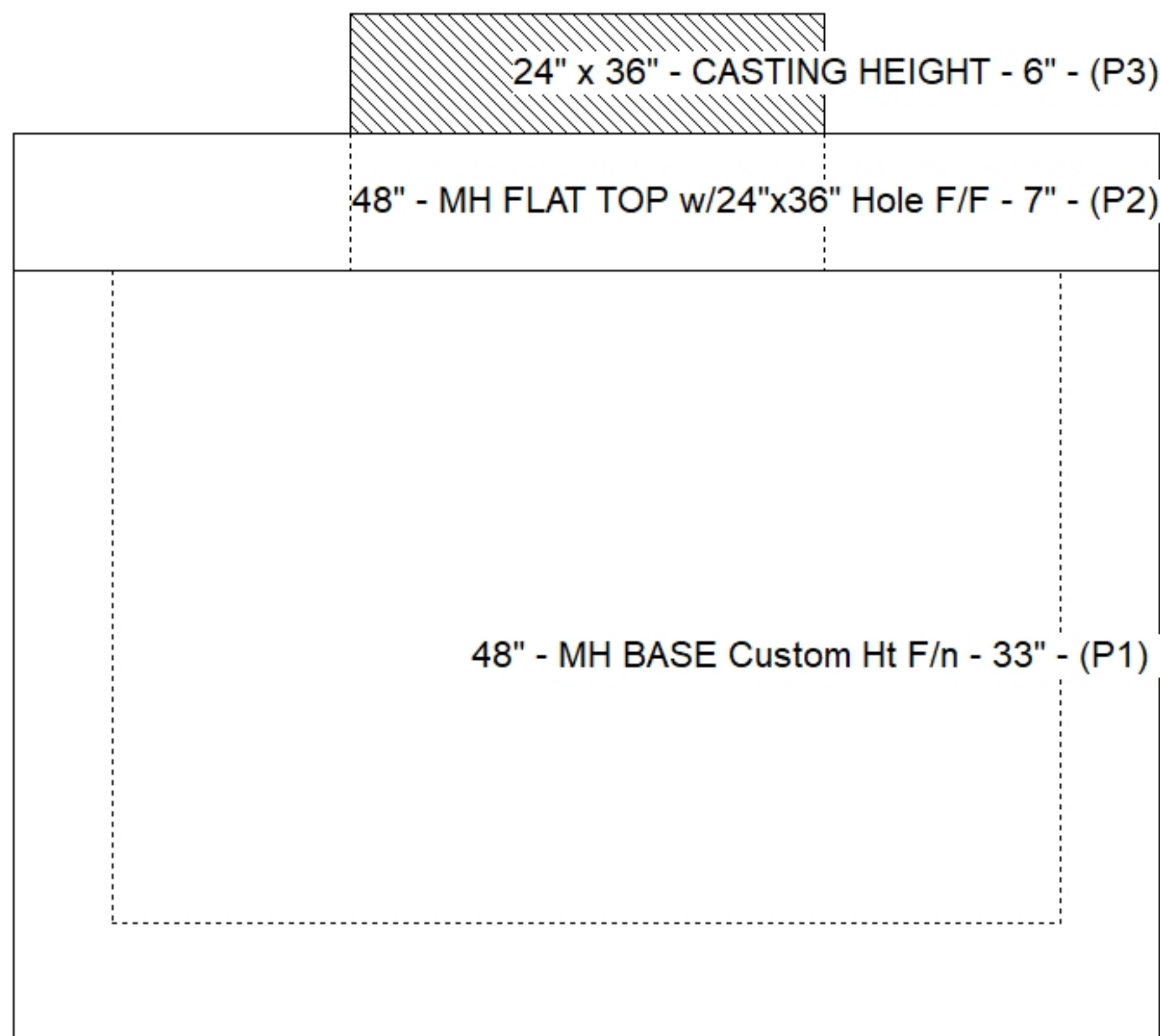
**STRUCTURE SUMMARY:**

P3) 24" x 36" - CASTING HEIGHT - 6"	0 lb
P2) 48" - MH FLAT TOP w/24"x36" Hole F/F - 7"	1044 lb
P1) 48" - MH BASE Custom Ht F/n - 33"	3122 lb
1) 48" - SGL 1"x14.5' Butyl (2x)	0 lb
1) Hole - 30	0 lb
1) Hole - 24	0 lb
<b>Structure Total:</b>	<b>4167 lb</b>



Position	Elev	Angle	Pipe	Pipe OD	Hole	Connector	Up (L)	Ref
Rim	356.8'							
Reducer								
Invert 1	353.1'	235°	24" HDPE	27.8"	30"	Hole 30	0"	P1
Invert 2	353.6'	90°	18" HDPE	21.2"	24"	Hole 24	6.25"	P1
Invert 3								
Invert 4								
Invert 5								
Invert 6								
Invert 7								
Invert 8								

**Cast (Int. Dim.) - Interior Dimensions**



Submittal Drawing  
 10/15/2025 4:30:23 PM

SUBMITTAL  
 APPROVED BY: