

**Job Name: 25-2897 Marriott Studio Res**  
**Job Location: Paducah, KY**  
**Contractor: Central Paving Co. of Paducah, Inc.**

PC: A. Chambers  
 TECH: J. Coppage  
 Plant: Beaver Dam



Structure ID: **CB10**  
 Spec: Storm  
 Type: BX 8inW, 8inF  
 Size: 24" x 36"

Rim: 357.2'  
 Invert: 354.04'  
 Rim to Invert: 3.16'

Sump: 0"  
 Floor (Top): 354.04'  
 Floor Height: 8"

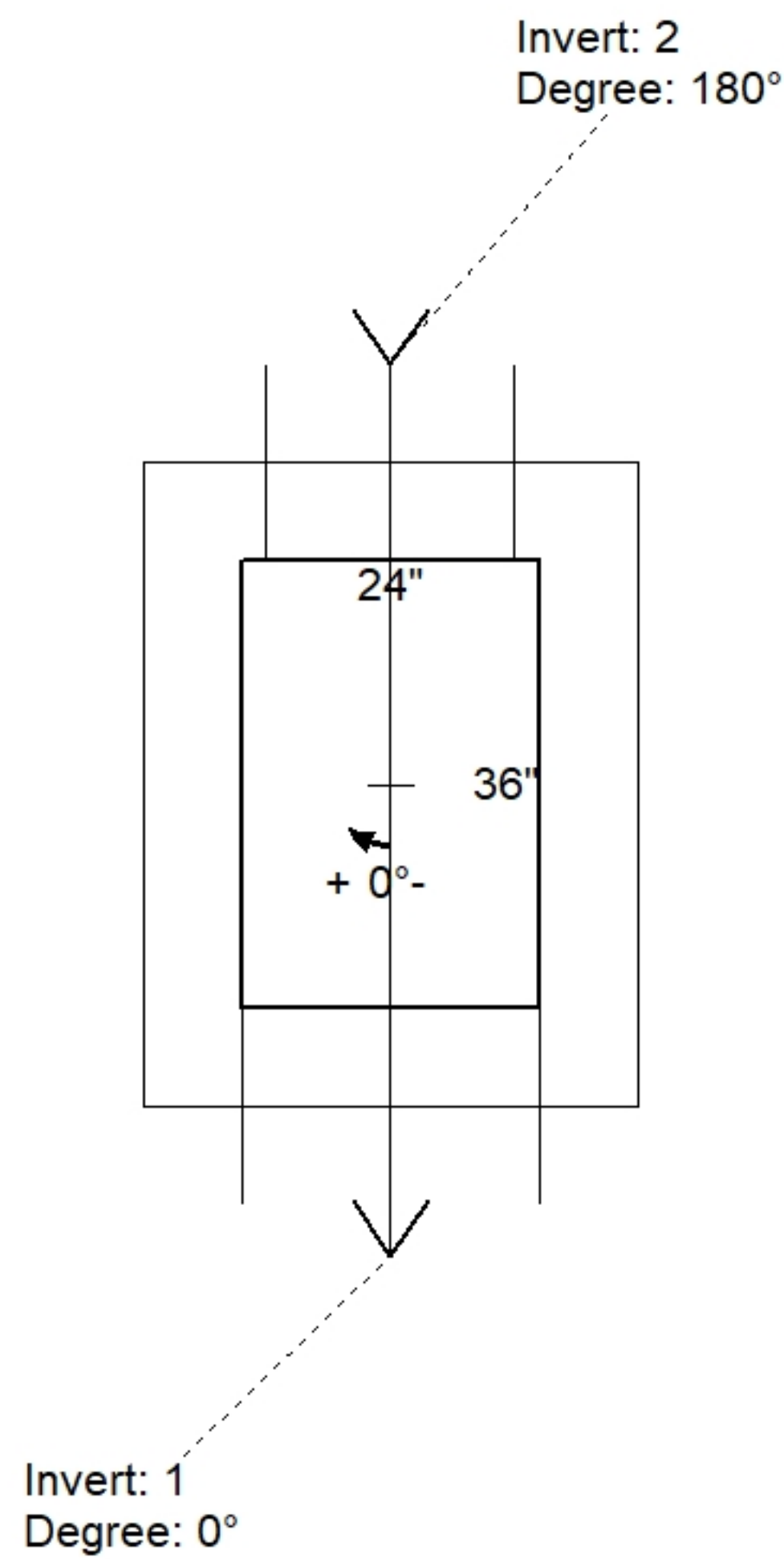
Floor (Bot): 353.373'  
 Overall Height: 3.75'  
 Slack: 0.92"

**Structure Notes:**

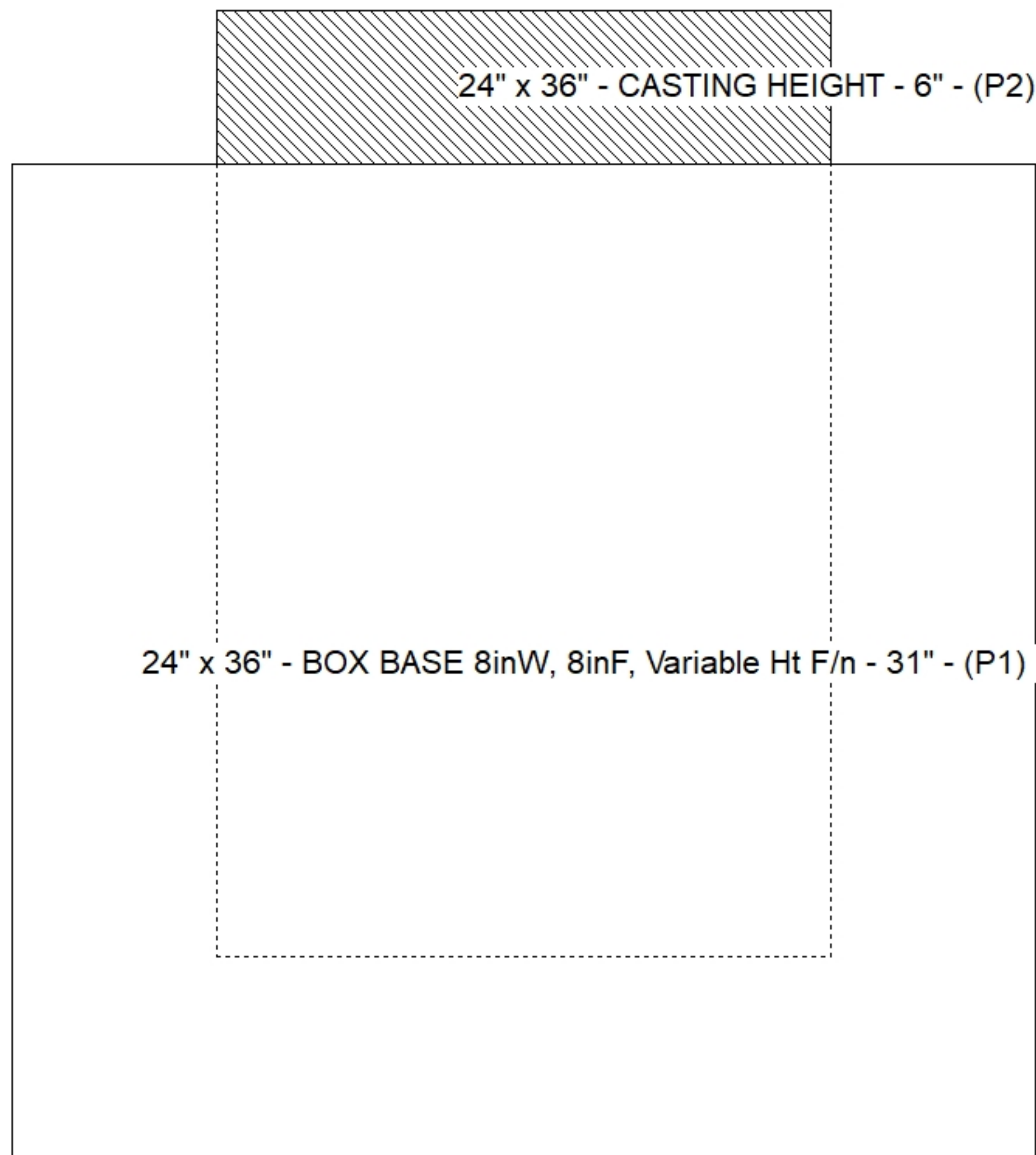
1. JR HOE HOE-525-LV PROVIDED BY ICAST.
2. PER ASTM C913 SPECIFICATIONS.
3. CONCRETE = 4,000 PSI AT 28 DAYS.
4. REINFORCING PER ASTM A615 (GRADE 60).  
 - WALLS (As .12) #5 BARS AT 12" C.C.E.W.  
 - FLOOR (As .12) #5 BARS AT 12" C.C.E.W.

**STRUCTURE SUMMARY:**

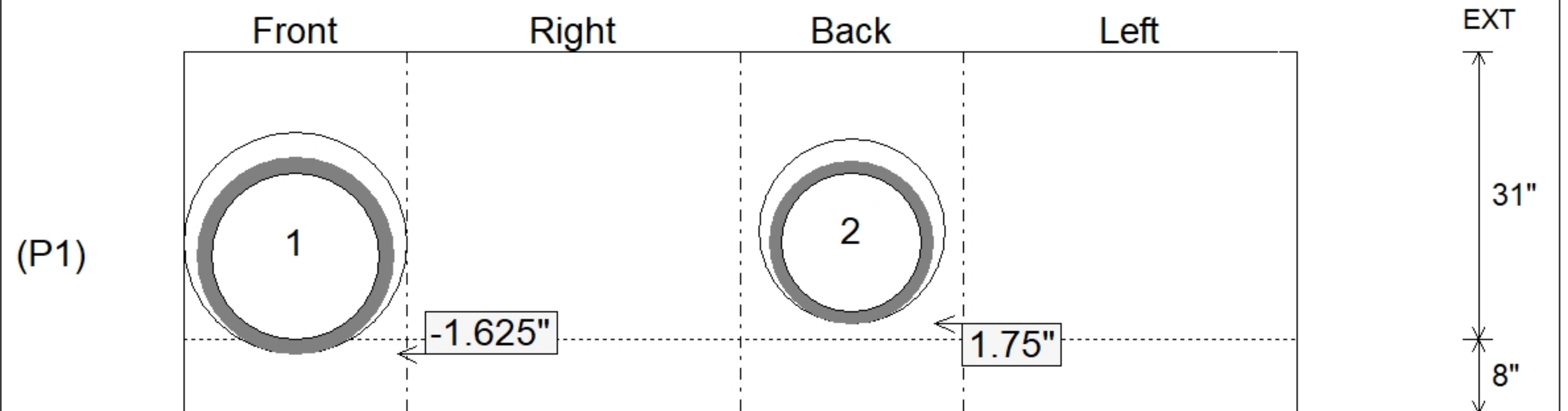
P2) 24" x 36" - CASTING HEIGHT - 6"	0 lb
P1) 24" x 36" - BOX BASE 8inW, 8inF, Variable Ht F/n - 31"	4121 lb
1) 24" x 36" - SGL 1"x14.5' Butyl	0 lb
1) Hole - 24"	0 lb
1) Hole - 20"	0 lb
<b>Structure Total:</b>	<b>4121 lb</b>



Position	Elev	Angle	Pipe	Pipe OD	Hole	Connector	Up (L)	Ref
Rim	357.2'							
Reducer								
Invert 1	354.04'	0°	18" HDPE	21.2"	24"	Hole 24	-1.625"	P1
Invert 2	354.29'	180°	15" HDPE	17.6"	20"	Hole 20	1.75"	P1
Invert 3								
Invert 4								
Invert 5								
Invert 6								
Invert 7								
Invert 8								



**Cast (Int. Dim.) - Interior Dimensions**



Submittal Drawing  
 10/15/2025 4:30:23 PM

SUBMITTAL  
 APPROVED BY: