

Job Name: 25-2897 Marriott Studio Res
Job Location: Paducah, KY
Contractor: Central Paving Co. of Paducah, Inc.

PC: A. Chambers
 TECH: J. Coppage
 Plant: Beaver Dam



Structure ID: **OUT**
 Spec: Storm
 Type: BX 8inW, 8inF
 Size: 48" x 48"

Rim: 354.8'
 Invert: 351'
 Rim to Invert: 3.8'

Sump: 0"
 Floor (Top): 351'
 Floor Height: 8"

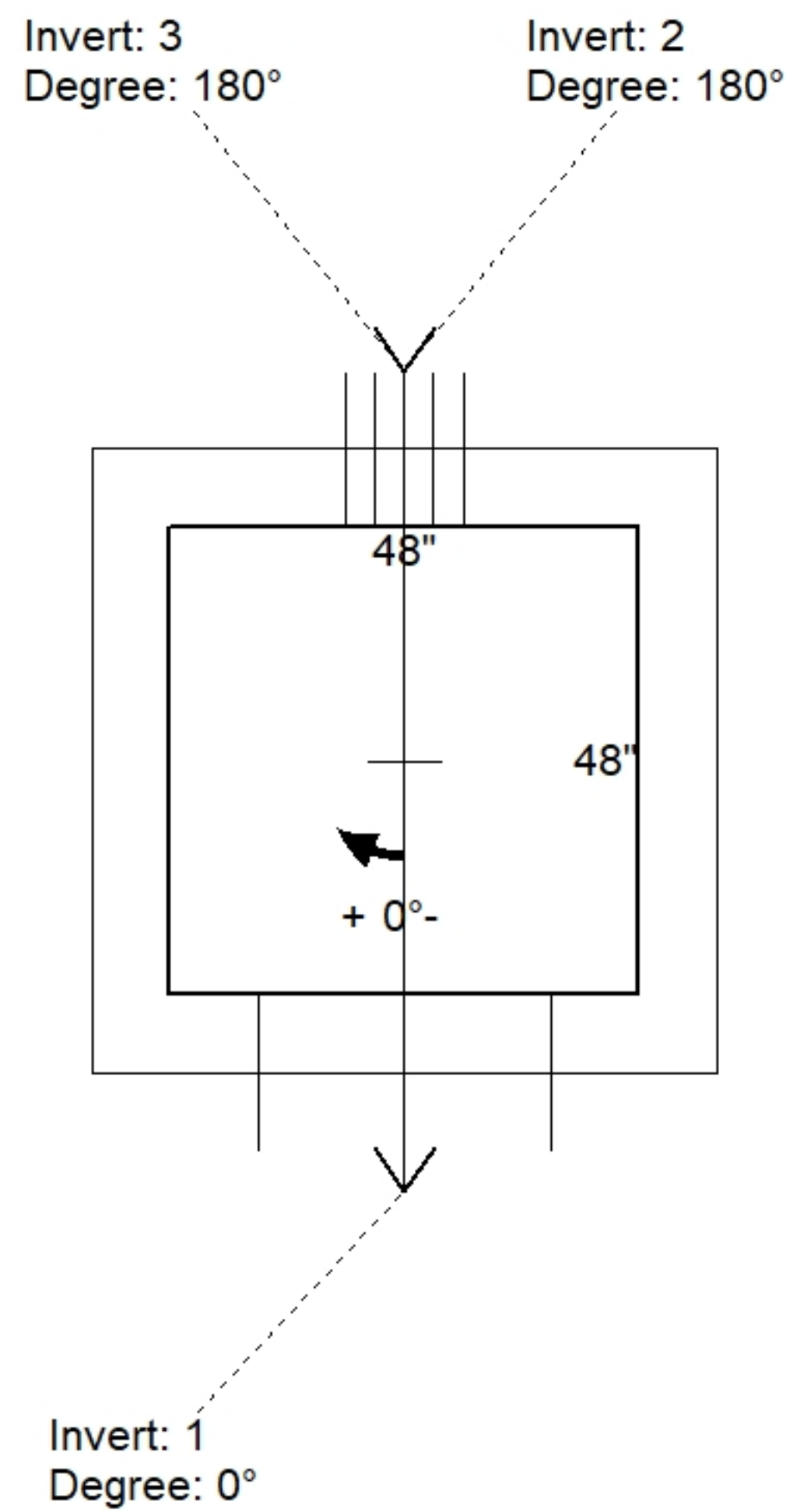
Floor (Bot): 350.333'
 Overall Height: 4.417'
 Slack: 0.6"

Structure Notes:

1. TRASH RACK LFG-48-P PROVIDED BY ICAST.
2. PER ASTM C913 SPECIFICATIONS.
3. CONCRETE = 4,000 PSI AT 28 DAYS.
4. REINFORCING PER ASTM A615 (GRADE 60).
 - WALLS (As .12) #5 BARS AT 12" C.C.E.W.
 - FLOOR (As .12) #5 BARS AT 12" C.C.E.W.

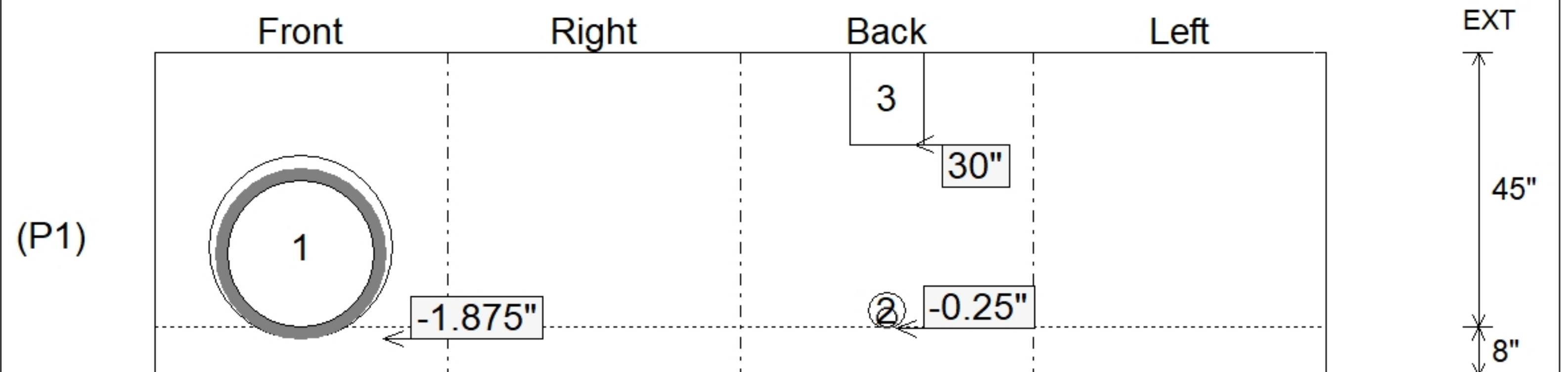
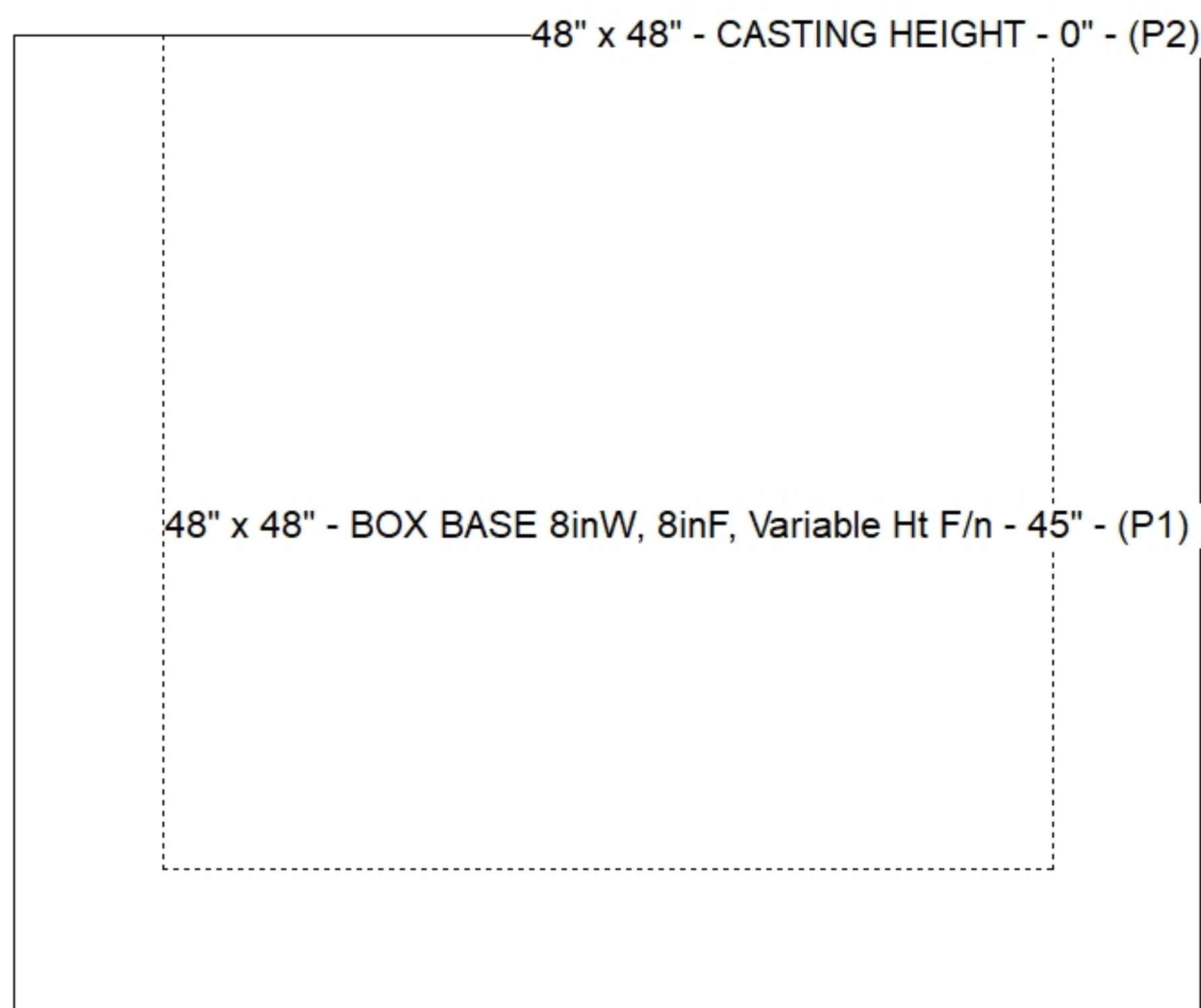
STRUCTURE SUMMARY:

P2) 48" x 48" - CASTING HEIGHT - 0"	0 lb
P1) 48" x 48" - BOX BASE 8inW, 8inF, Variable Ht F/n - 45"	8902 lb
1) 48" x 48" - Conseal CS-102 1.00"	0 lb
1) Hole - 30	0 lb
1) Hole - 6	0 lb
1) Weir n/n - 12"x15"	0 lb
Structure Total:	8902 lb



Position	Elev	Angle	Pipe	Pipe OD	Hole	Connector	Up (")	Ref
Rim	354.8'							
Reducer								
Invert 1	351'	0°	24" HDPE	27.8"	30"	Hole 30	-1.875"	P1
Invert 2	351'	180°	3" HDPE	3.5"	6"	Hole 6	-0.25"	P1
Invert 3	353.5'	180°	12" x 15" Weir	12" x 15"	12" x 15"	Weir 12"x15"	30"	P1
Invert 4								
Invert 5								
Invert 6								
Invert 7								
Invert 8								

Cast (Int. Dim.) - Interior Dimensions



Submittal Drawing
 10/15/2025 4:30:25 PM

SUBMITTAL
 APPROVED BY: