

Job Name: 25-2897 Marriott Studio Res
 Job Location: Paducah, KY
 Contractor: Central Paving Co. of Paducah, Inc.

Plant: Beaver Dam
 10/15/2025 4:30:41 PM

Tech: J. Coppage
 PC: A. Chambers



Structure ID: CB7

P1 BX2424-08BAVF

BOX BASE 8inW, 8inF, Variable Ht F/n

- P2) 24" x 24" - CASTING HEIGHT - 4"
- P1) 24" x 24" - BOX BASE 8inW, 8inF, Variable Ht F/n - 23"
- 1) 24" x 24" - SGL 1"x14.5' Butyl
- 1) Hole - 16

0 lb
 2859 lb
 0 lb
 0 lb

 Structure Total: 2859 lb

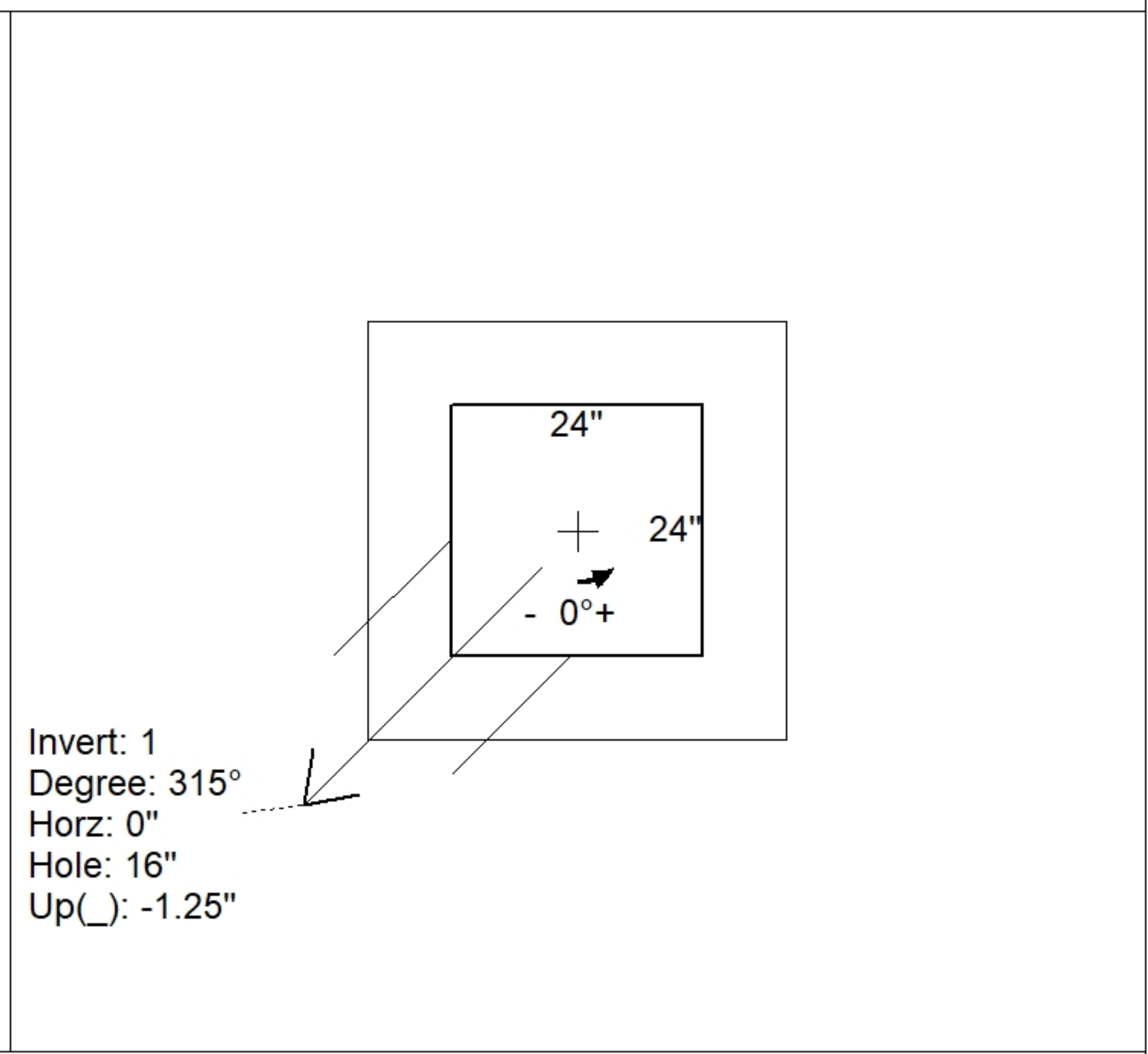
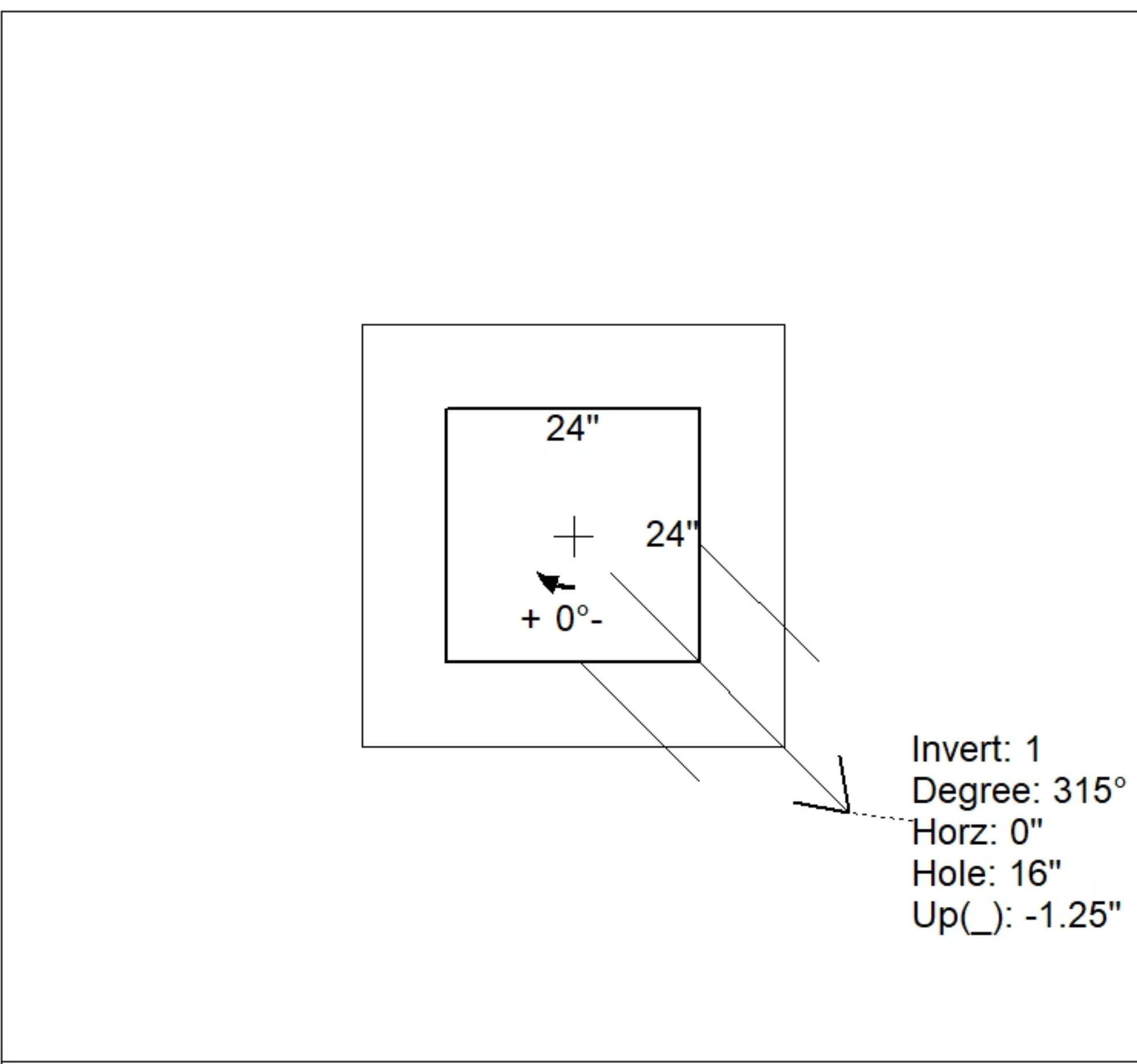
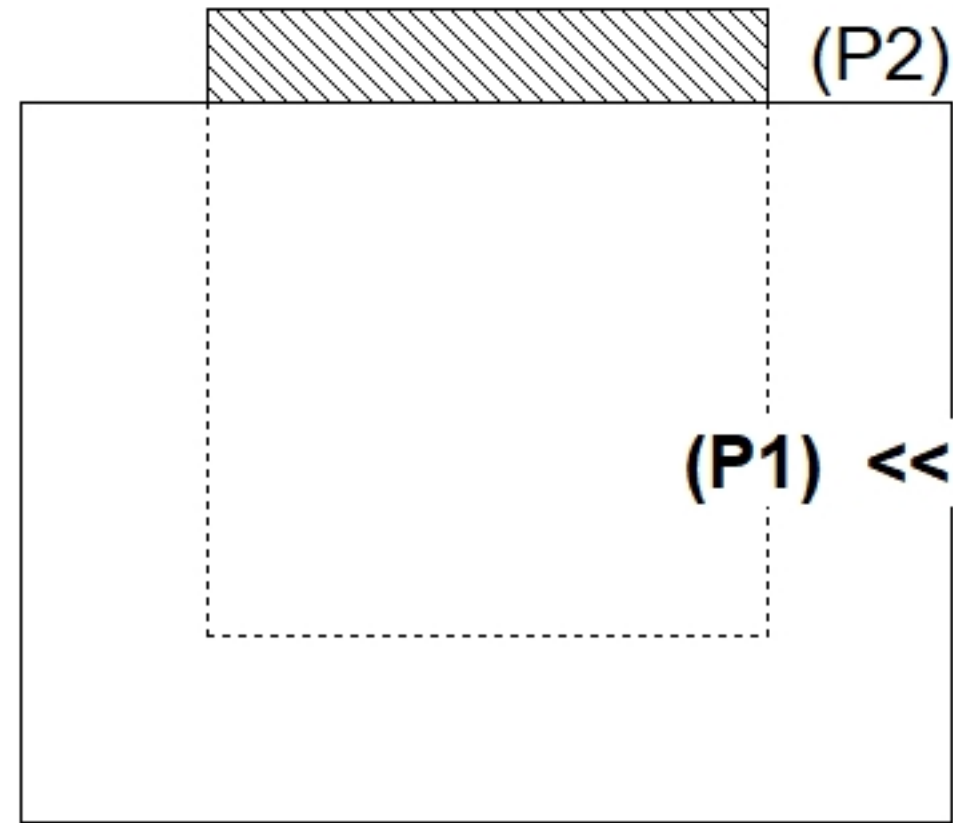
- Structure Notes:**
1. JR HOE HOE-280T PROVIDED BY ICAST.
 2. PER ASTM C913 SPECIFICATIONS.
 3. CONCRETE = 4,000 PSI AT 28 DAYS.
 4. REINFORCING PER ASTM A615 (GRADE 60).
 - WALLS (As .12) #5 BARS AT 12" C.C.E.W.
 - FLOOR (As .12) #5 BARS AT 12" C.C.E.W.

Rim: 358' Rim to Invert: 2.28' Slack: 0.36" Sump: 0" Step Position:

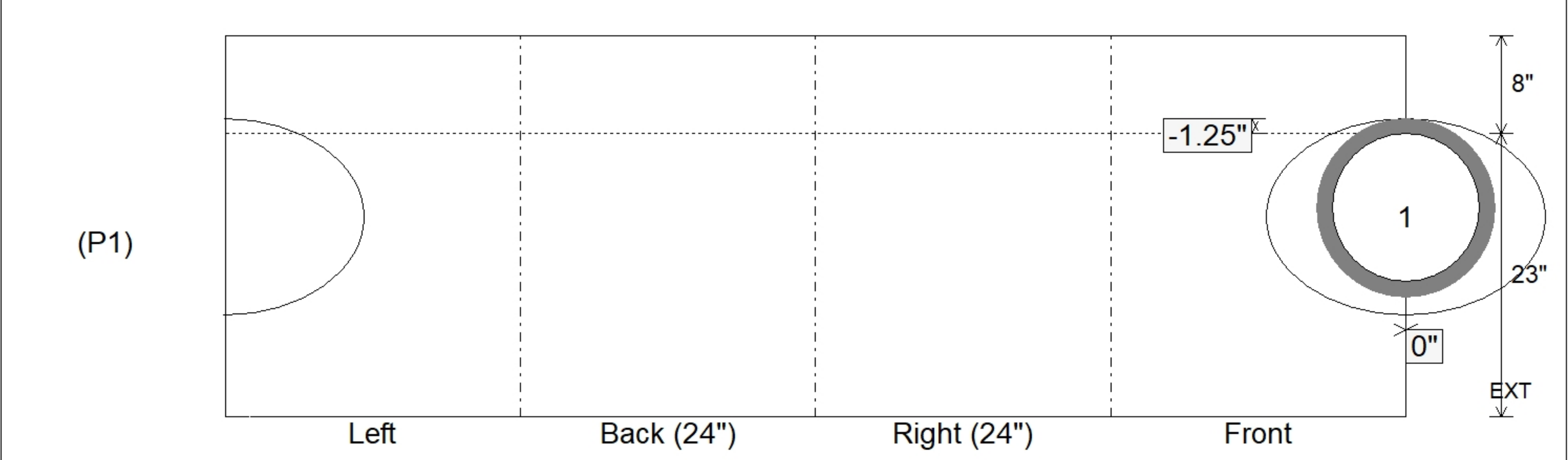
Position	Elev	Angle	Ext. (cw)	Pipe	Pipe OD	Connector	Hole	Horz Size	Up ()	Offset
Invert 1	355.72'	315°	0"	12" HDPE	14.5"	Hole 16	16"	11.314", 11.314"	-1.25"	0"
Invert 2										
Invert 3										
Invert 4										
Invert 5										
Invert 6										
Invert 7										
Invert 8										

RIGHT-SIDE UP VIEW (int. dimensions)

UPSIDE-DOWN VIEW (int. dimensions)



INSIDE WALL DIMENSIONS



Coating (Int): Coating (Ext):	Seam Up: Flat Seam Dn: n/a	Wall Thickness: 8" Floor Height: 8"	Height (Int): 23" Height (Ext): 31"	Weight (Net): 2859 lb Volume (Net): 0.73cu.yd
----------------------------------	-------------------------------	--	--	--