

Job Name: 25-2897 Marriott Studio Res
Job Location: Paducah, KY
Contractor: Central Paving Co. of Paducah, Inc.

PC: A. Chambers
 TECH: J. Coppage
 Plant: Beaver Dam



Structure ID: **CB5**
 Spec: Storm
 Type: BX 8inW, 8inF
 Size: 24" x 36"

Rim: 356.4'
 Invert: 352.86'
 Rim to Invert: 3.54'

Sump: 0"
 Floor (Top): 352.86'
 Floor Height: 8"

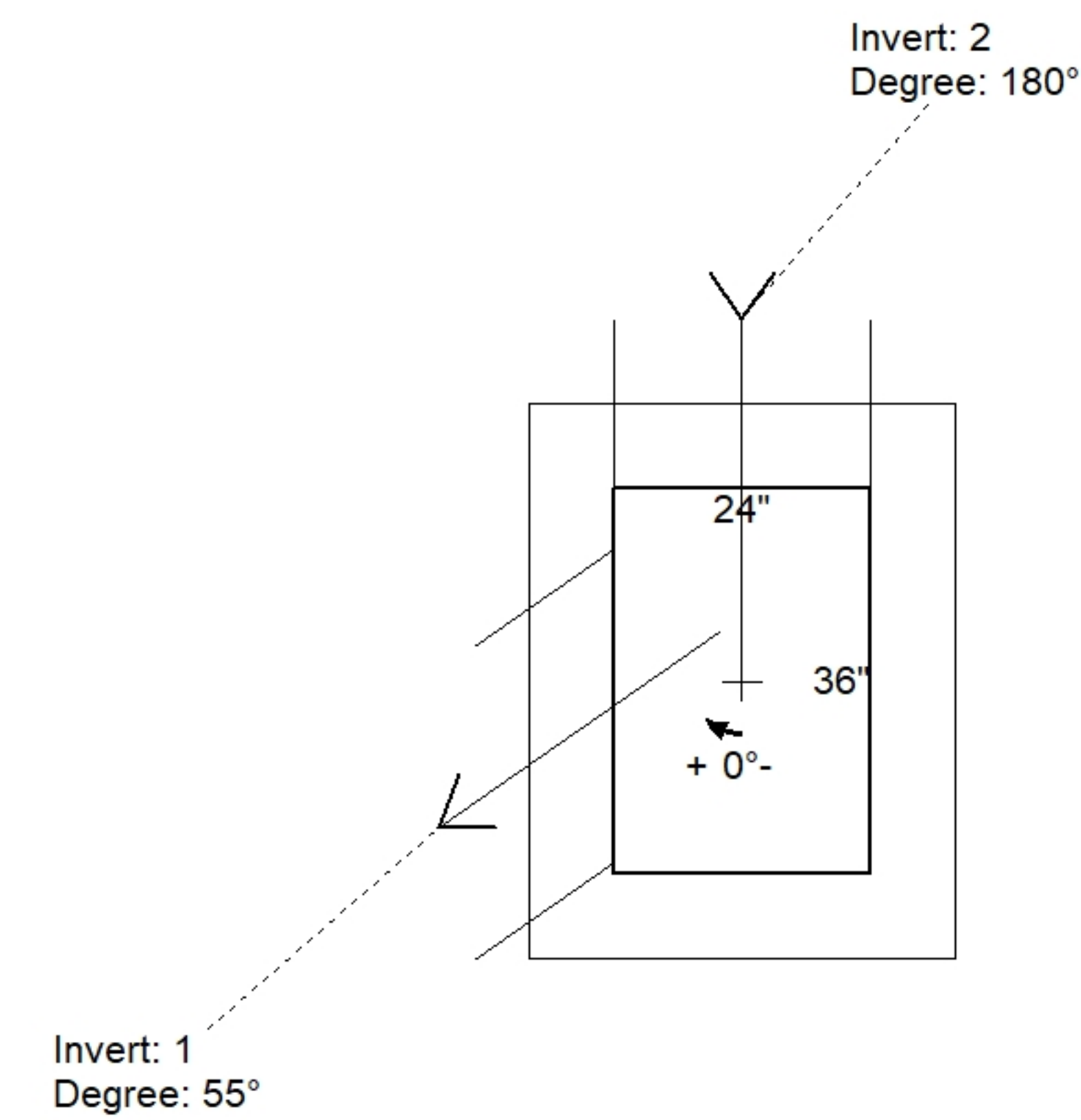
Floor (Bot): 352.193'
 Overall Height: 4.167'
 Slack: 0.48"

Structure Notes:

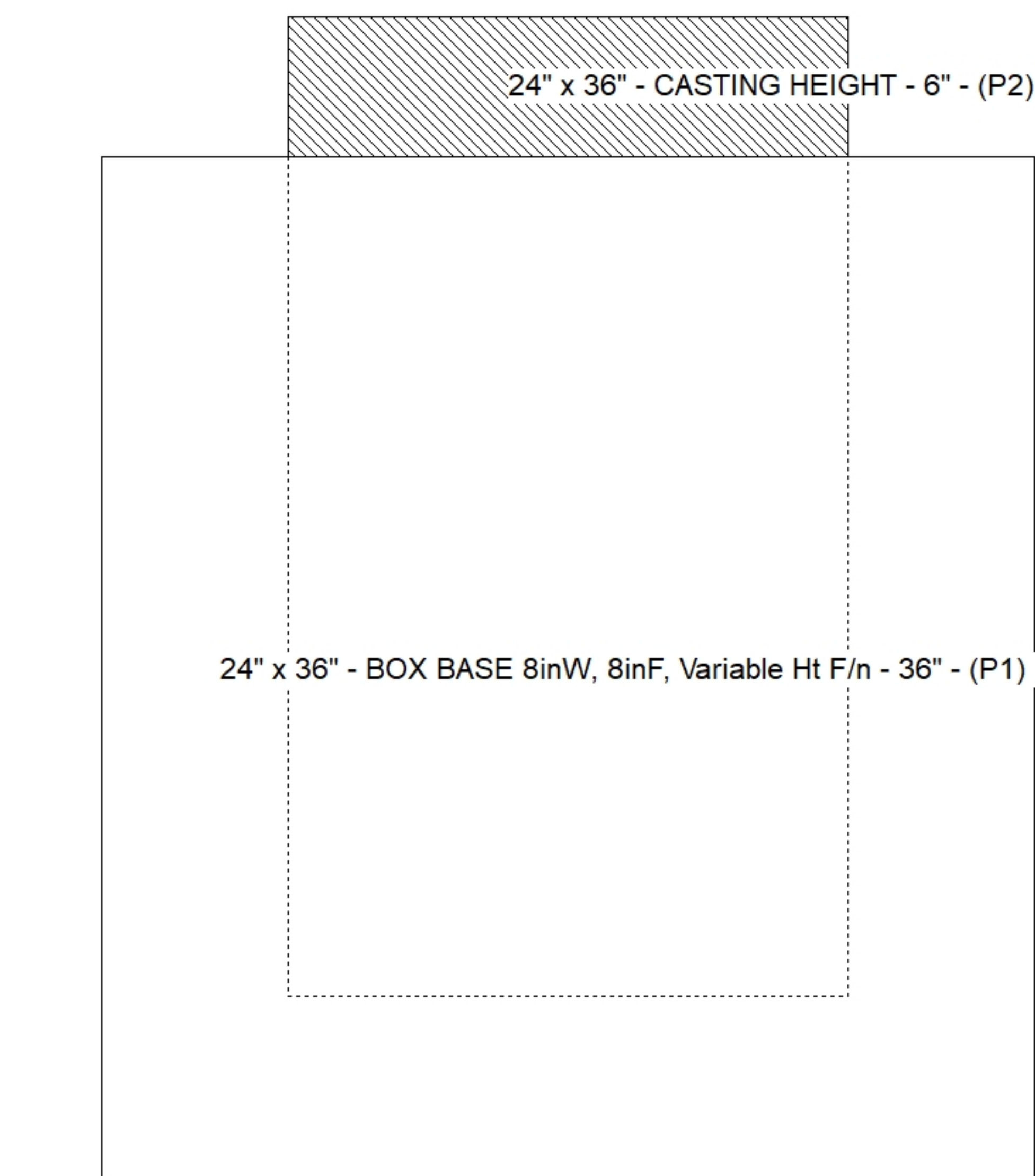
1. JR HOE HOE-525-LV PROVIDED BY ICAST.
2. PER ASTM C913 SPECIFICATIONS.
3. CONCRETE = 4,000 PSI AT 28 DAYS.
4. REINFORCING PER ASTM A615 (GRADE 60).
 - WALLS (As .12) #5 BARS AT 12" C.C.E.W.
 - FLOOR (As .12) #5 BARS AT 12" C.C.E.W.

STRUCTURE SUMMARY:

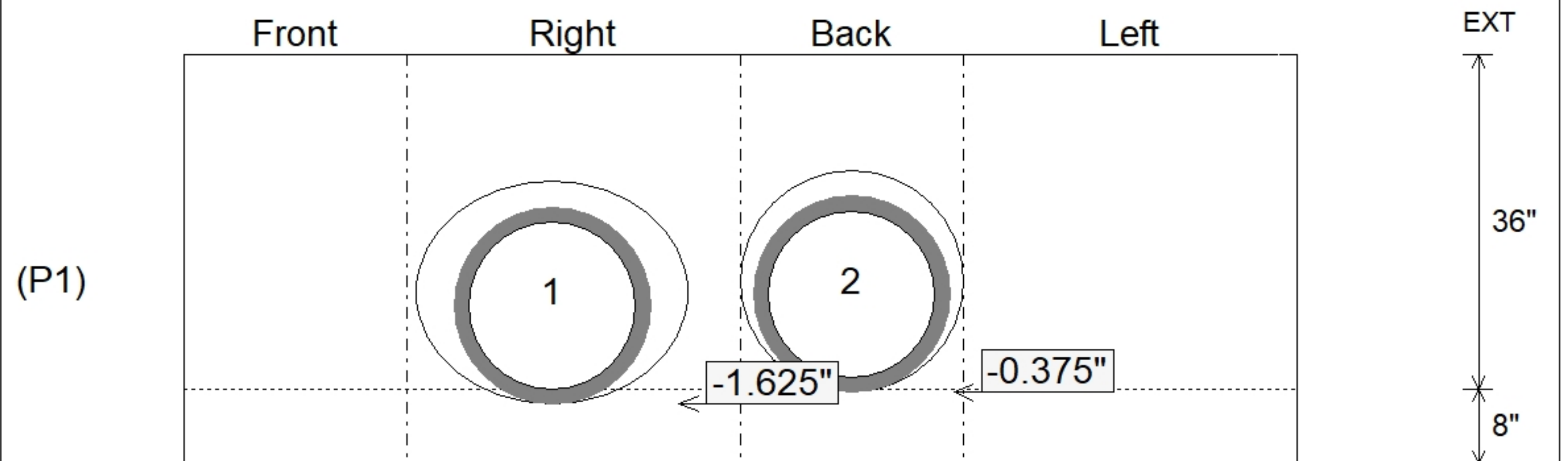
P2) 24" x 36" - CASTING HEIGHT - 6" 0 lb
 P1) 24" x 36" - BOX BASE 8inW, 8inF, Variable Ht F/n - 36" 4471 lb
 1) 24" x 36" - SGL 1"x14.5' Butyl 0 lb
 2) Hole - 24 0 lb
Structure Total: 4471 lb



Position	Elev	Angle	Pipe	Pipe OD	Hole	Connector	Up (L)	Ref
Rim	356.4'							
Reducer								
Invert 1	352.86'	55°	18" HDPE	21.2"	24"	Hole 24	-1.625"	P1
Invert 2	352.96'	180°	18" HDPE	21.2"	24"	Hole 24	-0.375"	P1
Invert 3								
Invert 4								
Invert 5								
Invert 6								
Invert 7								
Invert 8								



Cast (Int. Dim.) - Interior Dimensions



Submittal Drawing
 10/15/2025 4:30:21 PM

SUBMITTAL
 APPROVED BY: