

Job Name: 25-2897 Marriott Studio Res
 Job Location: Paducah, KY
 Contractor: Central Paving Co. of Paducah, Inc.

Plant: Beaver Dam
 10/15/2025 4:30:40 PM

Tech: J. Coppage
 PC: A. Chambers



Structure ID: CB5

P1 BX2436-08BVF

BOX BASE 8inW, 8inF, Variable Ht F/n

- P2) 24" x 36" - CASTING HEIGHT - 6"
- P1) 24" x 36" - BOX BASE 8inW, 8inF, Variable Ht F/n - 36"
- 1) 24" x 36" - SGL 1"x14.5' Butyl
- 2) Hole - 24"

0 lb
 4471 lb
 0 lb
 0 lb

 Structure Total: 4471 lb

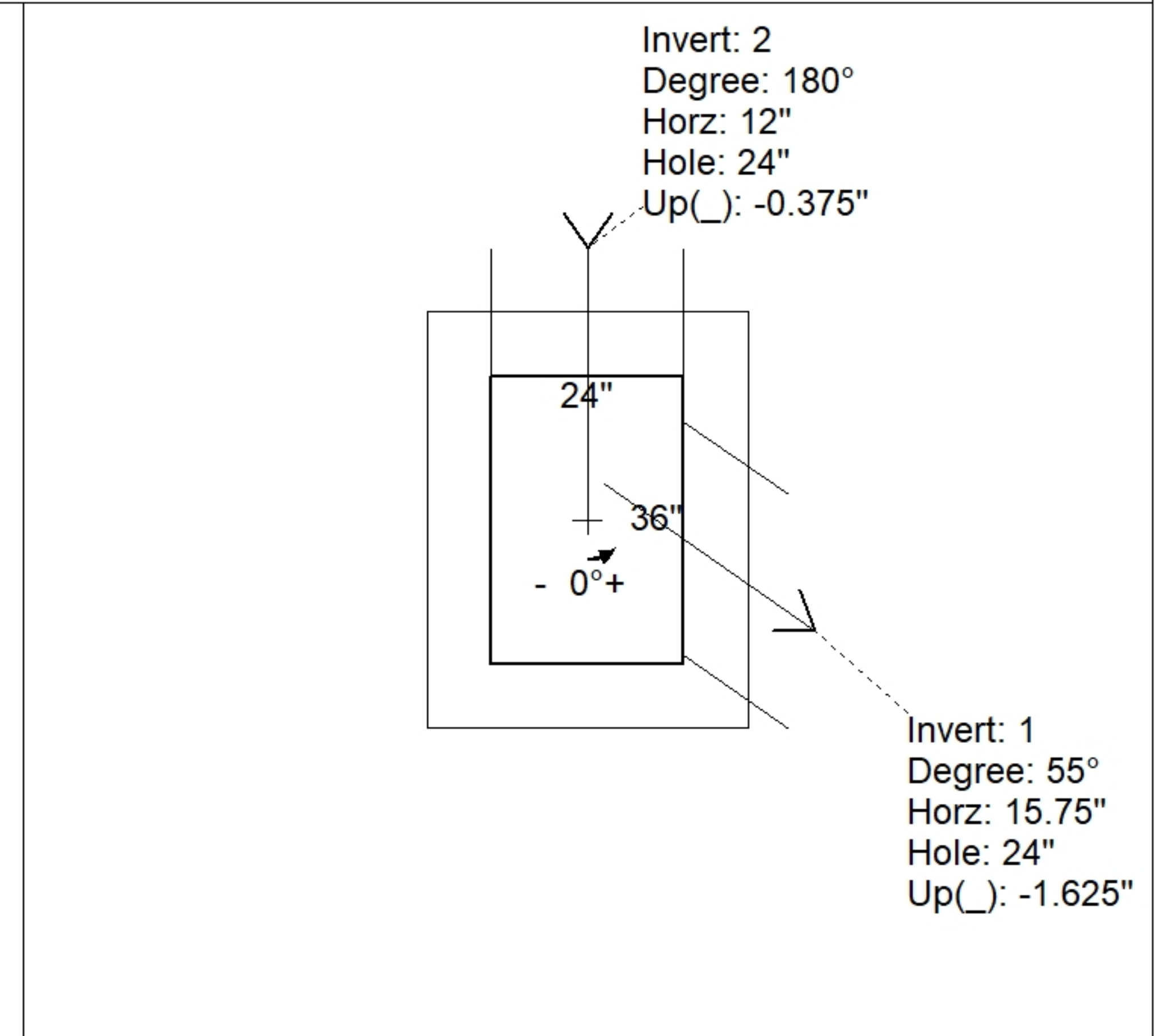
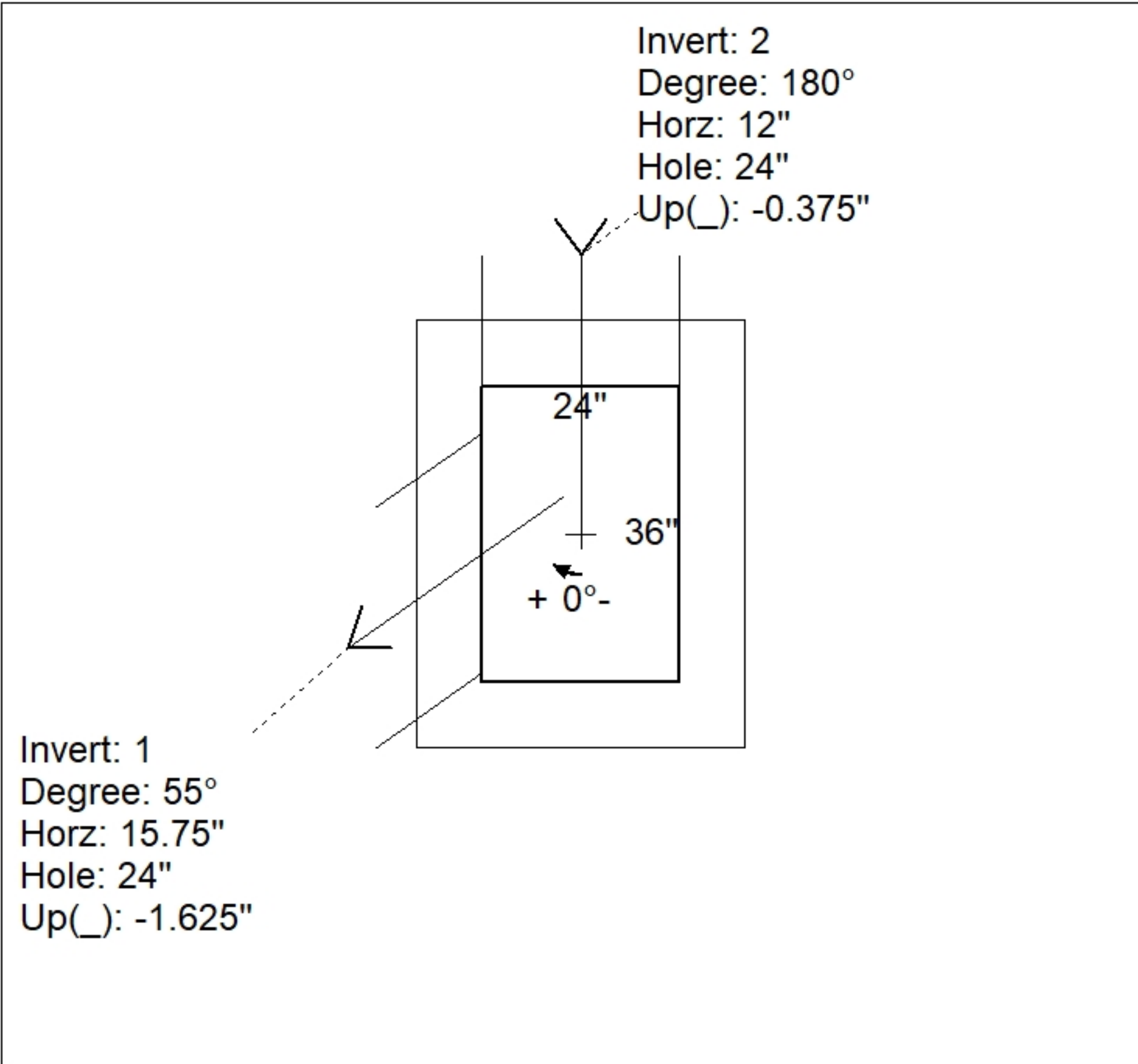
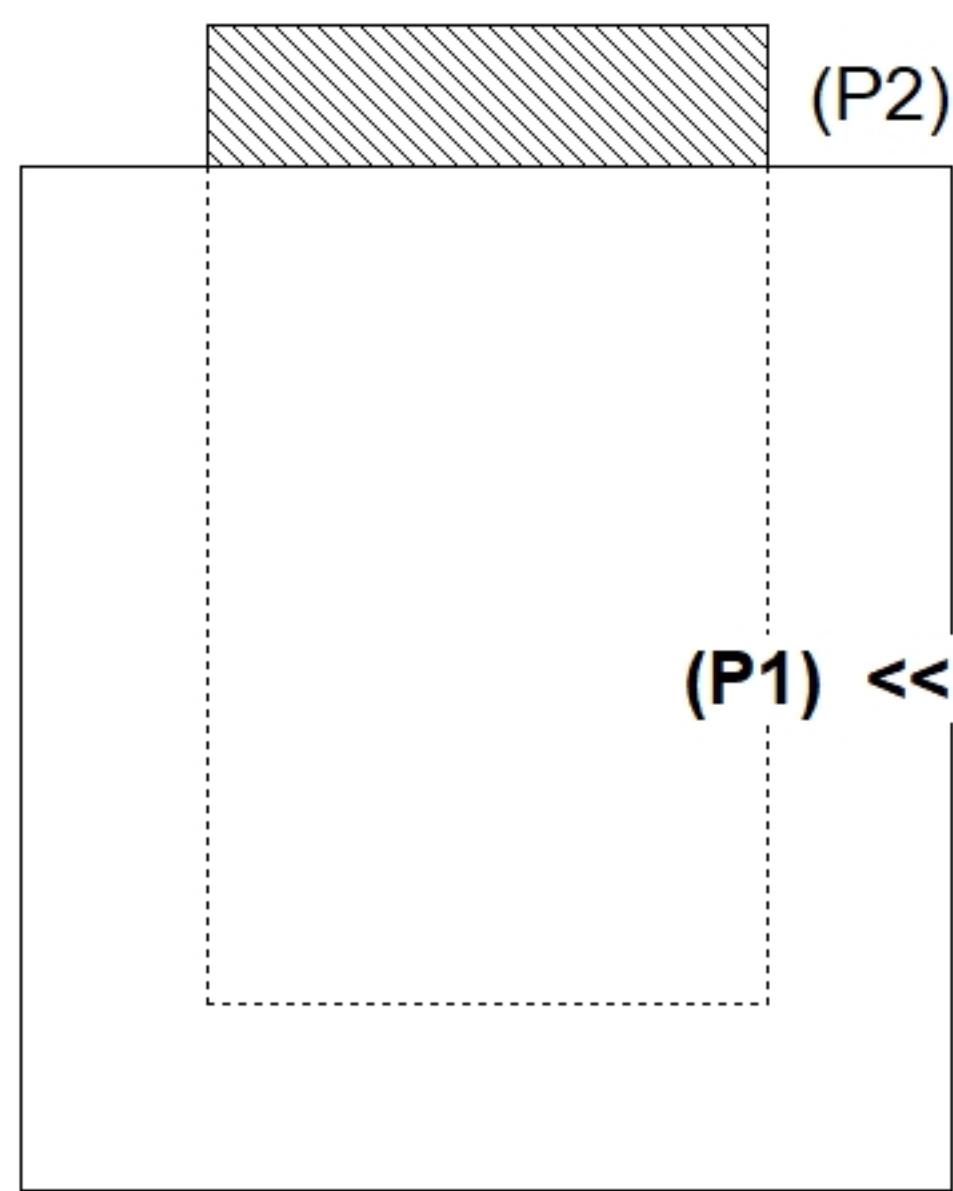
- Structure Notes:**
1. JR HOE HOE-525-LV PROVIDED BY ICAST.
 2. PER ASTM C913 SPECIFICATIONS.
 3. CONCRETE = 4,000 PSI AT 28 DAYS.
 4. REINFORCING PER ASTM A615 (GRADE 60).
 - WALLS (As .12) #5 BARS AT 12" C.C.E.W.
 - FLOOR (As .12) #5 BARS AT 12" C.C.E.W.

Rim: 356.4' Rim to Invert: 3.54' Slack: 0.48" Sump: 0" Step Position:

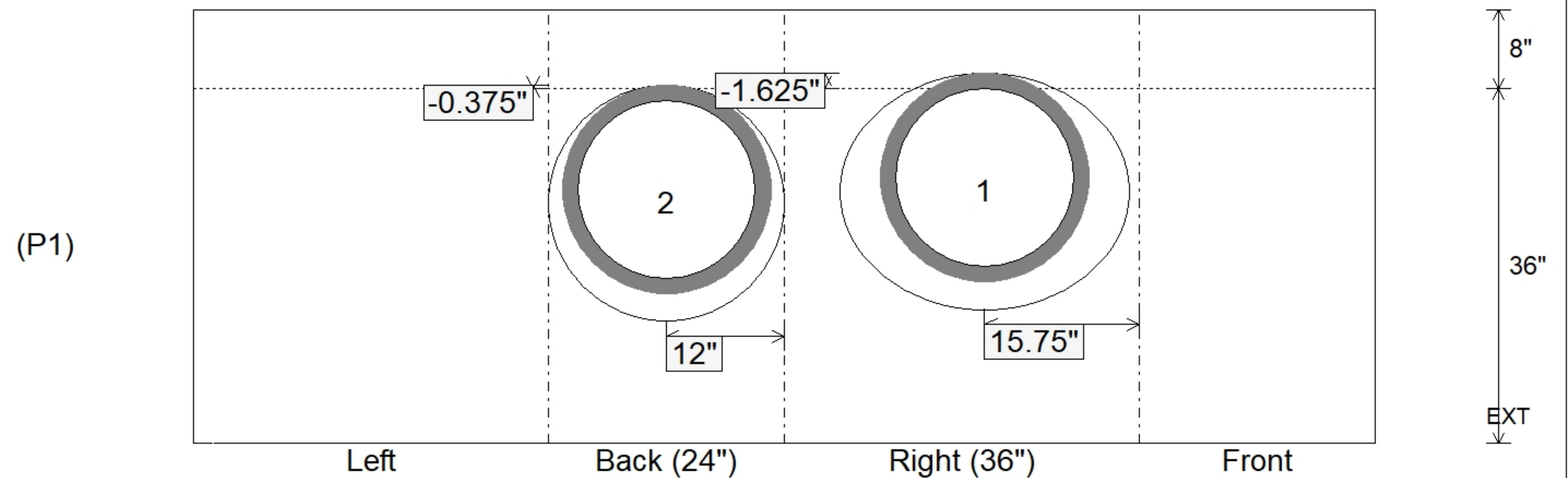
Position	Elev	Angle	Ext. (cw)	Pipe	Pipe OD	Connector	Hole	Horz Size	Up ()	Offset
Invert 1	352.86'	55°	18.125"	18" HDPE	21.2"	Hole 24	24"	29.299"	-1.625"	5"
Invert 2	352.96'	180°	20"	18" HDPE	21.2"	Hole 24	24"	24"	-0.375"	0"
Invert 3										
Invert 4										
Invert 5										
Invert 6										
Invert 7										
Invert 8										

RIGHT-SIDE UP VIEW (int. dimensions)

UPSIDE-DOWN VIEW (int. dimensions)



INSIDE WALL DIMENSIONS



Coating (Int):
 Coating (Ext):

Seam Up: Flat
 Seam Dn: n/a

Wall Thickness: 8"
 Floor Height: 8"

Height (Int): 36"
 Height (Ext): 44"

Weight (Net): 4471 lb
 Volume (Net): 1.14cu.yd